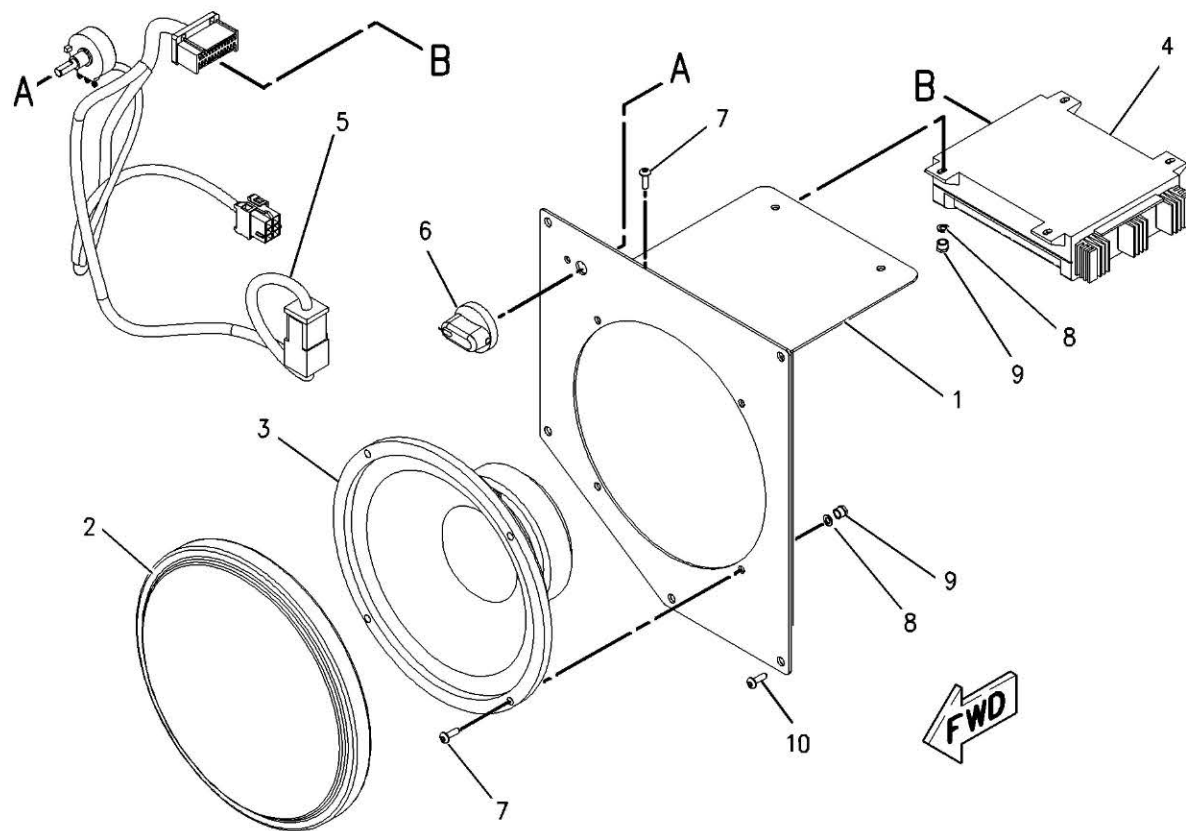


173-6506 - RADIO SPEAKER GROUP	10-0001
152-0419 - RADIO SPEAKER GROUP	10-0002
575833D1 - RADIO SPEAKER GROUP - 2016	10-0003
575835D1 - RADIO SPEAKER GROUP - 2016	10-0004
168-1951 - RADIO ANTENNA INSTALLATION	10-0005
582648D1 - RADIO AND ANTENNA - 2016	10-0006
578432D1 - MOUNT ASSEMBLY - 2016	10-0007
152-0424 - CAB FRONT VISOR GROUP	10-0008
162-4095 - CAB REAR VISOR GROUP	10-0009
501886D1 - CAB SIDE VISORS GROUP	10-0010
530315D1 - WINDOW SUN SCREEN, LEFT HAND	10-0011
501817D1 - CHARCOAL FILTER BAFFLE GROUP	10-0012
501941D1 - CAP, WITH LANYARD ASSEMBLY	10-0013
532050D1 - KNOB KIT	10-0014
APPLIES TO ALL TRACTORS BUILT.	
534649D1 - KNOB GROUP	10-0015
518702D1 - COVER GROUP, SUBWOOFER	10-0016
575881D1 - COVER GROUP, SUBWOOFER - 2016	10-0017
582432D1 - COVER GROUP, SUBWOOFER - 2016	10-0018
527203D1 - FRONT CONSOLE SERVICE KIT	10-0019
APPLIES TO ALL TRACTORS BUILT.	
529056D1 - ACCESS BAR PLUG INSTALLATION	10-0020
513880D1 - PARK BRAKE CABLE INSTALLATION	10-0021
550827D1 - PLUG INSTALLATION WITHOUT CREEPER-DIFFERENTIAL LOCK	10-0022
508325D2 - TRANSMISSION CONTROL GROUP, SHIFT HANDLE	10-0023
532508D1 - TRANSMISSION SHIFTER CONTROL HANDLE. B	10-0024
532681D1 - ARM PAD	10-0025
152-0447 - DECELERATOR CONTROL GROUP	10-0026
573838D1 - DECELERATOR CONTROL GROUP	10-0027
555262D3 - ARMREST GROUP, 4 VALVE, WITH HITCH	10-0028
555262D3 - ARMREST GROUP, 4 VALVE, WITH HITCH	10-0029
555263D3 - ARMREST GROUP, 5 VALVE, WITH HITCH	10-0030
555263D3 - ARMREST GROUP, 5 VALVE, WITH HITCH	10-0031
555265D3 - ARMREST GROUP, 4 VALVE, WITHOUT HITCH	10-0032
555265D3 - ARMREST GROUP, 4 VALVE, WITHOUT HITCH	10-0033
555266D3 - ARMREST GROUP, 5 VALVE, WITHOUT HITCH	10-0034
555266D3 - ARMREST GROUP, 5 VALVE, WITHOUT HITCH	10-0035
555267D3 - ARMREST GROUP, 6 VALVE, WITHOUT HITCH	10-0036
555267D3 - ARMREST GROUP, 6 VALVE, WITHOUT HITCH	10-0037
576468D1 - ARMREST GROUP, 4 VALVE, WITH HITCH - 2016	10-0038
576468D1 - ARMREST GROUP, 4 VALVE, WITH HITCH - 2016	10-0039
576469D1 - ARMREST GROUP, 5 VALVE, WITH HITCH - 2016	10-0040
576469D1 - ARMREST GROUP, 5 VALVE, WITH HITCH - 2016	10-0041

576471D1 - ARMREST GROUP, 4 VALVE, WITHOUT HITCH - 2016	10-0042
576471D1 - ARMREST GROUP, 4 VALVE, WITHOUT HITCH - 2016	10-0043
576472D1 - ARMREST GROUP, 5 VALVE, WITHOUT HITCH - 2016	10-0044
576472D1 - ARMREST GROUP, 5 VALVE, WITHOUT HITCH - 2016	10-0045
576473D1 - ARMREST GROUP, 6 VALVE, WITHOUT HITCH - 2016	10-0046
576473D1 - ARMREST GROUP, 6 VALVE, WITHOUT HITCH - 2016	10-0047
529328D1 - PUSHBUTTON SWITCH INSTALLATION	10-0048
555854D1 - SEAT GROUP, BASIC	10-0049
560666D1 - SEAT GROUP, BASIC - TLV (TOGGLE LINK VERTICAL)	10-0050
555394D1 - SEAT GROUP, BASIC	10-0051
555395D1 - SEAT GROUP, DELUXE	10-0052
555397D1 - SEAT GROUP, DELUXE, LEATHER	10-0053
513665D1 - SEAT GROUP, TRAINING	10-0054
521879D1 - SEAT GROUP, TRAINING, LEATHER	10-0055
513664D1 - SEAT ASSEMBLY - TRAINER SEAT, CLOTH	10-0056
555855D1 - SEAT GROUP, DELUXE	10-0057
521880D1 - SEAT ASSEMBLY, LEATHER - INSTRUCTOR SEAT	10-0058
555857D1 - LEATHER SEAT GROUP, VENTED	10-0059
513659D1 - CAB HEADLINER ASSEMBLY	10-0060
513659D1 - CAB HEADLINER ASSEMBLY	10-0061
513659D1 - CAB HEADLINER ASSEMBLY	10-0062
578719D1 - CAB HEADLINER ASSEMBLY - 2016	10-0063
520484D1 - BRAKE CONTROL GROUP, WITH CLUTCH	10-0064
520484D1 - BRAKE CONTROL GROUP, WITH CLUTCH	10-0065
522552D1 - MIRROR GROUP, ELECTRIC	10-0066
595497D1 - CAB ROOF GROUP - 2016	10-0067
595497D1 - CAB ROOF GROUP - 2016	10-0068
523792D1 - CAB ROOF GROUP, NON CE	10-0069
523792D1 - CAB ROOF GROUP, NON CE	10-0070
523792D1 - CAB ROOF GROUP, NON CE	10-0071
217-2214 - WEATHER INSULATION GROUP	10-0072
525155D1 - ROOF ASSEMBLY, INNER	10-0073
505453D1 - ROOF ASSEMBLY, INNER SUPERSEDED BY 598862D1	10-0074
505453D1 - ROOF ASSEMBLY, INNER SUPERSEDED BY 598862D1	10-0075
598862D1 - ROOF ASSEMBLY, INNER	10-0076
151-9994 - WINDSHIELD GLASS GROUP	10-0077
151-9994 - WINDSHIELD GLASS GROUP	10-0078
570453D1 - A2000 PASSIVE SUSPENSION SERVICE KIT THIS PAGE IS TO SHOW WHAT IS INCLUDED IN THE KIT	10-0079
570927D1 - CONSOLE MOUNT, RIGHT HAND	10-0080
571223D1 - SEMI ACTIVE SEAT SUSPENSION KIT	10-0081

508272D2 - COMPRESSOR SERVICE KIT - SEMI ACTIVE SUSPENSION	10-0082
530916D2 - COMPRESSOR SERVICE KIT - PASSIVE	10-0083
THIS PAGE IS TO SHOW WHAT IS INCLUDED IN THE KIT.	
594890D1 - COMPRESSOR SERVICE KIT	10-0084
570575D1 - PASSIVE SEAT SUSPENSION KIT - OPERATOR SEAT	10-0085
571170D1 - SUSPENSION KIT - OPERATOR SEAT	10-0086
571261D1 - SUSPENSION KIT - OPERATOR SEAT	10-0087
571175D1 - SUSPENSION KIT - OPERATOR SEAT	10-0088
509645D1 - ANTENNA GROUP, SATELLITE READY	10-0089
CH211-4837 - COMPACT DRIVE 12 VOLT MOTOR	10-0090
571559D1 - WIPER GROUP, BASIC	10-0091
501565D1 - WIPER ARM ASSEMBLY, WET	10-0092
522250D1 - WINDSHIELD WIPER MOTOR	10-0093
162-4103 - WIPER GROUP ASSEMBLY - RIGHT HAND	10-0094
554005D2 - WIPER GROUP, DELUXE	10-0095
571123D1 - WINDSHIELD WASHER BOTTLE	10-0096
CH166-4596 - COMPACT DRIVE 12 VOLT MOTOR	10-0097
509299D1 - HANDLE ASSEMBLY, INTERIOR	10-0098
509309D1 - LATCH MOUNT ASSEMBLY	10-0099
513526D1 - LID ASSEMBLY	10-0100
567073D2 - CAB GROUP	10-0101
575134D1 - CAB INSULATION	10-0102
579803D1 - MONITOR MOUNTING GROUP	10-0103
553998D1 - CONSOLE GROUP - FRONT	10-0104
574105D1 - CONSOLE ASSEMBLY, RIGHT HAND	10-0105
574115D1 - CONSOLE ASSEMBLY, RIGHT HAND	10-0106
570913D1 - PLATE - FALLING OBJECT PROTECTIVE STRUCTURE, (FOPS)	10-0107
553991D1 - DOOR LATCH ASSEMBLY	10-0108
575829D1 - TRIM GROUP	10-0109
575829D1 - TRIM GROUP	10-0110
575829D1 - TRIM GROUP	10-0111
576564D1 - TRIM GROUP - 2016	10-0112
576564D1 - TRIM GROUP - 2016	10-0113
576564D1 - TRIM GROUP - 2016	10-0114

173-6506-07-R240

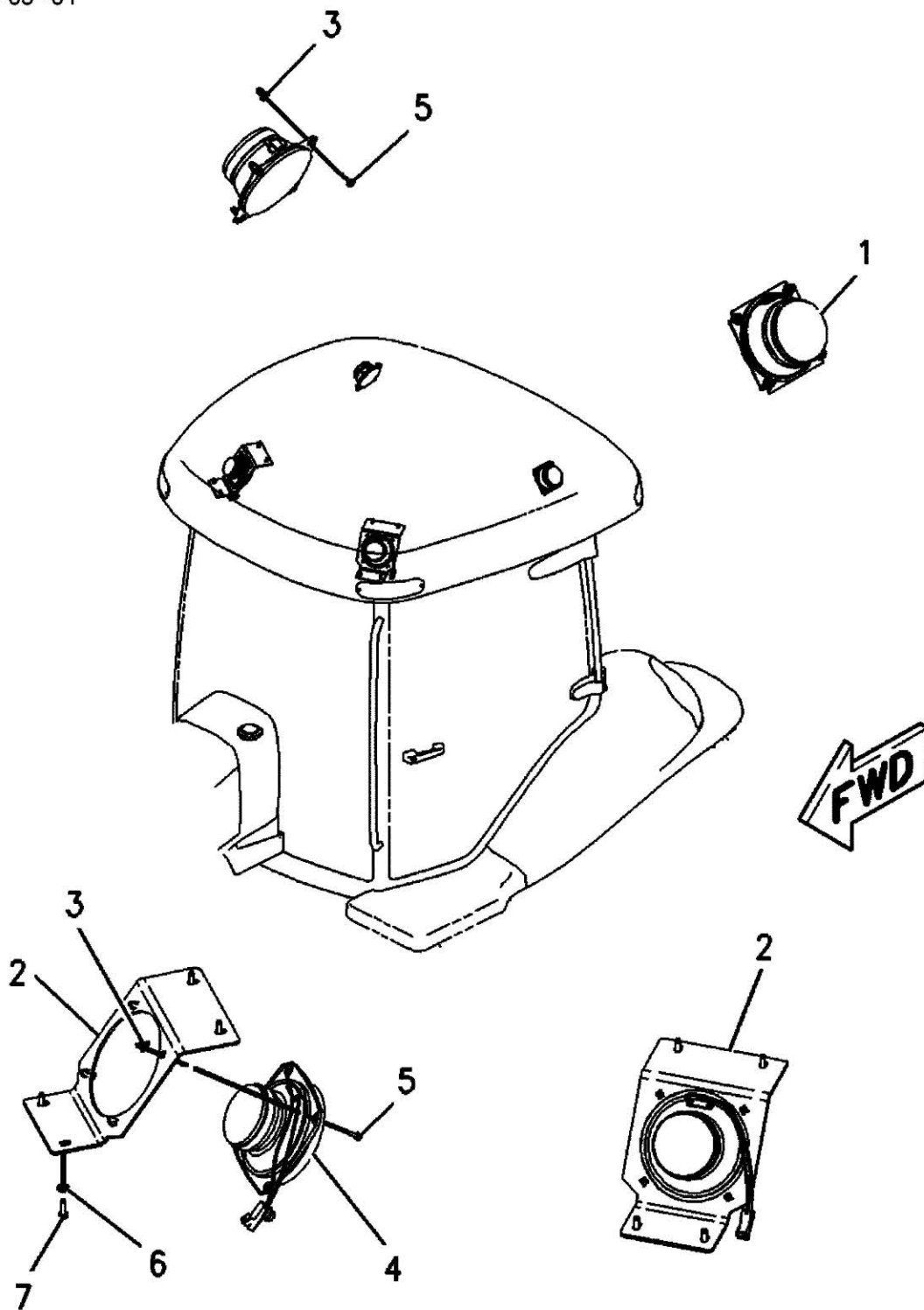


**173-6506 - RADIO SPEAKER GROUP**

---

ITEM	PART NUMBER	QTY	DESCRIPTION COMMENTS	TECHNICAL SPECIFICATION
1	189-9922	1	PLATE	
2	172-6842	1	GRILLE	
3	170-7255	1	SPEAKER	
4	CH136-5434	1	INNER LINK	
5	502191D1	1	WIRE HARNESS SUBWOOFER	
6	500419D1	1	KNOB	
7	CH7Y-3173	8	HEX SOCKET BUTTON HEAD BOLT	M4 X .7 X 12MM, CL12.9
8	CH8C-9660	8	FLAT WASHER	4.6MM ID X 7.9MM OD X 0.8MM
9	CH8T-2659	8	HEX LOCKNUT	M4 X .7MM-6H
10	CH9X-2044	5	TORX HEAD SCREW	M6 X 1 X 16MM, T30

152-0419-05--01

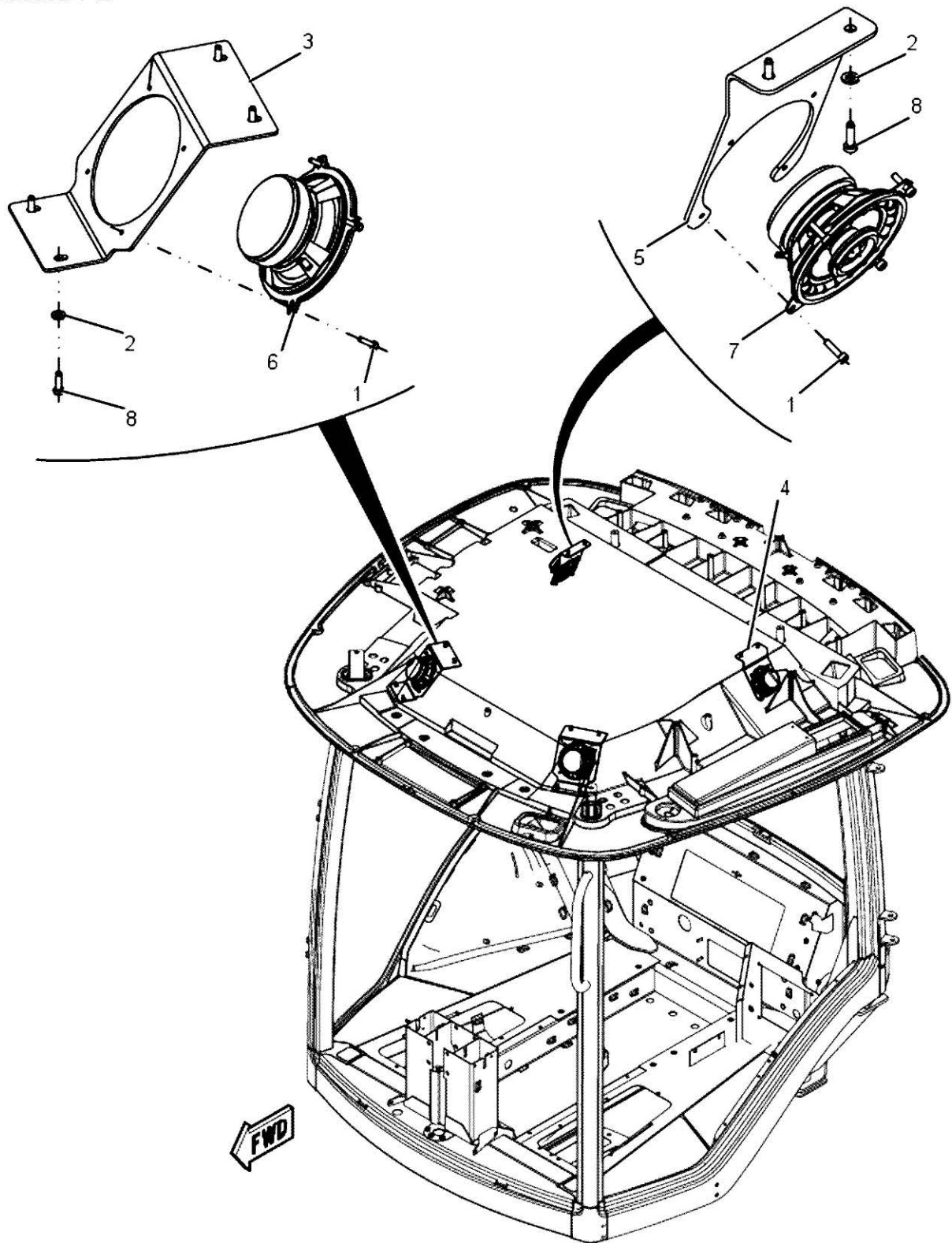


**152-0419 - RADIO SPEAKER GROUP**

---

ITEM	PART NUMBER	QTY	DESCRIPTION COMMENTS	TECHNICAL SPECIFICATION
1	CH136-5415	2	SPEAKER	
2	585954D1	2	BRACKET SPEAKER, FRONT	FRONT SPEAKER
3	400086X1	16	RETAINING NUT	7MM
4	CH136-5414	2	SPEAKER	
5	CH119-5026	16	PAN HEAD MACHINE SCREW	#10-16 X 16MM
6	400310X1	8	FLAT WASHER	6.6MM ID X 12MM OD X 2MM
7	CH110-2028	8	TORX HEAD SCREW	#10-14 X 19MM

575833D1-2-

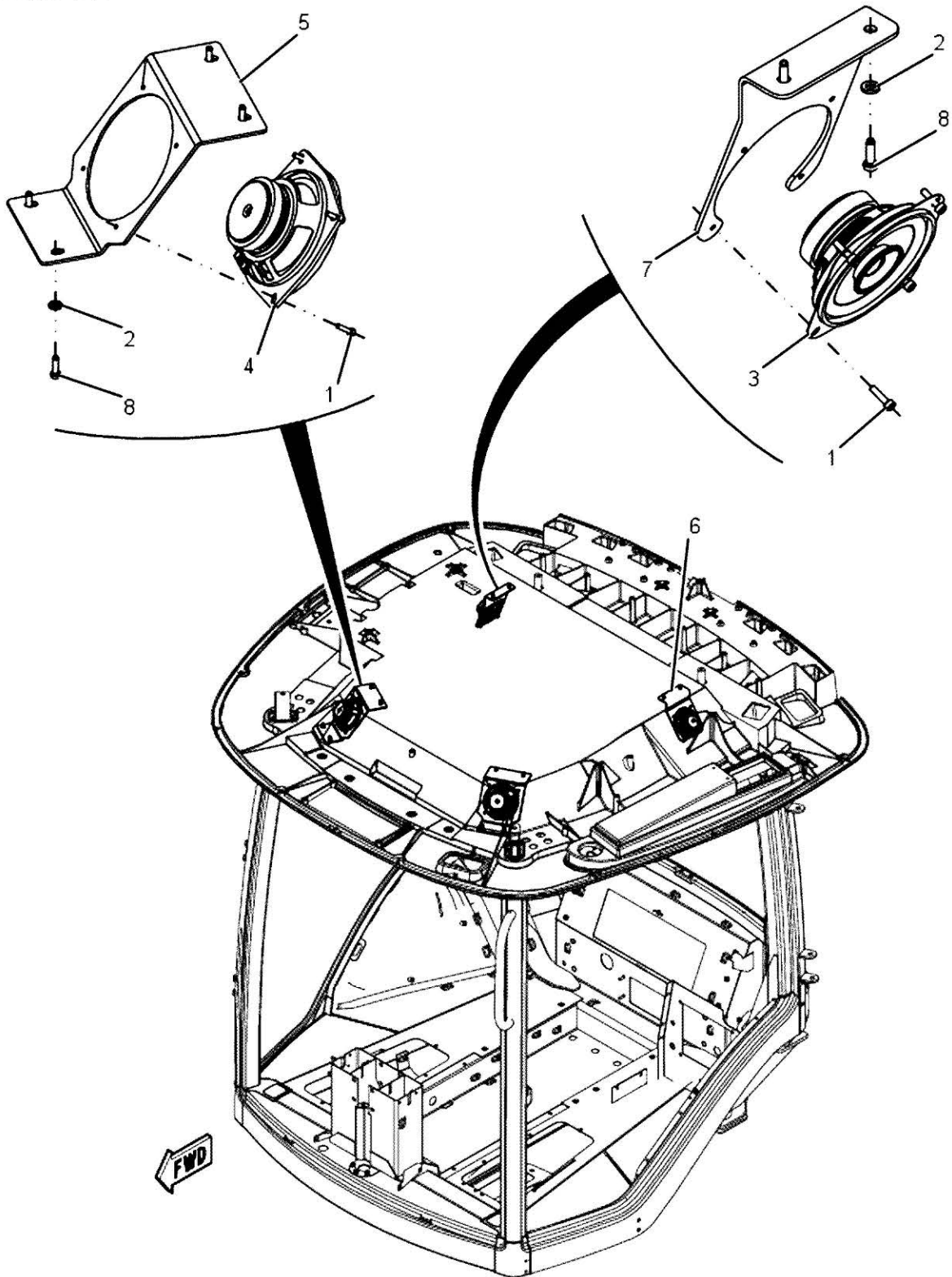


**575833D1 - RADIO SPEAKER GROUP - 2016**

---

ITEM	PART NUMBER	QTY	DESCRIPTION COMMENTS	TECHNICAL SPECIFICATION
1	400251X1	16	HEXAGONAL HEAD BOLT	M8X1.25X30 10.9
2	400310X1	12	FLAT WASHER	6.6MM ID X 12MM OD X 2MM
3	575837D2	2	BRACKET	-FRONT SPEAKER
4	575839D2	1	BRACKET	-REAR SPEAKER
5	575875D2	1	BRACKET	-REAR SPEAKER
6	576074D1	2	SPEAKER	5 1/4"
7	576075D1	2	SPEAKER	4"
8	CH110-2028	12	TORX HEAD SCREW	#10-14 X 19MM

575835D1-2-

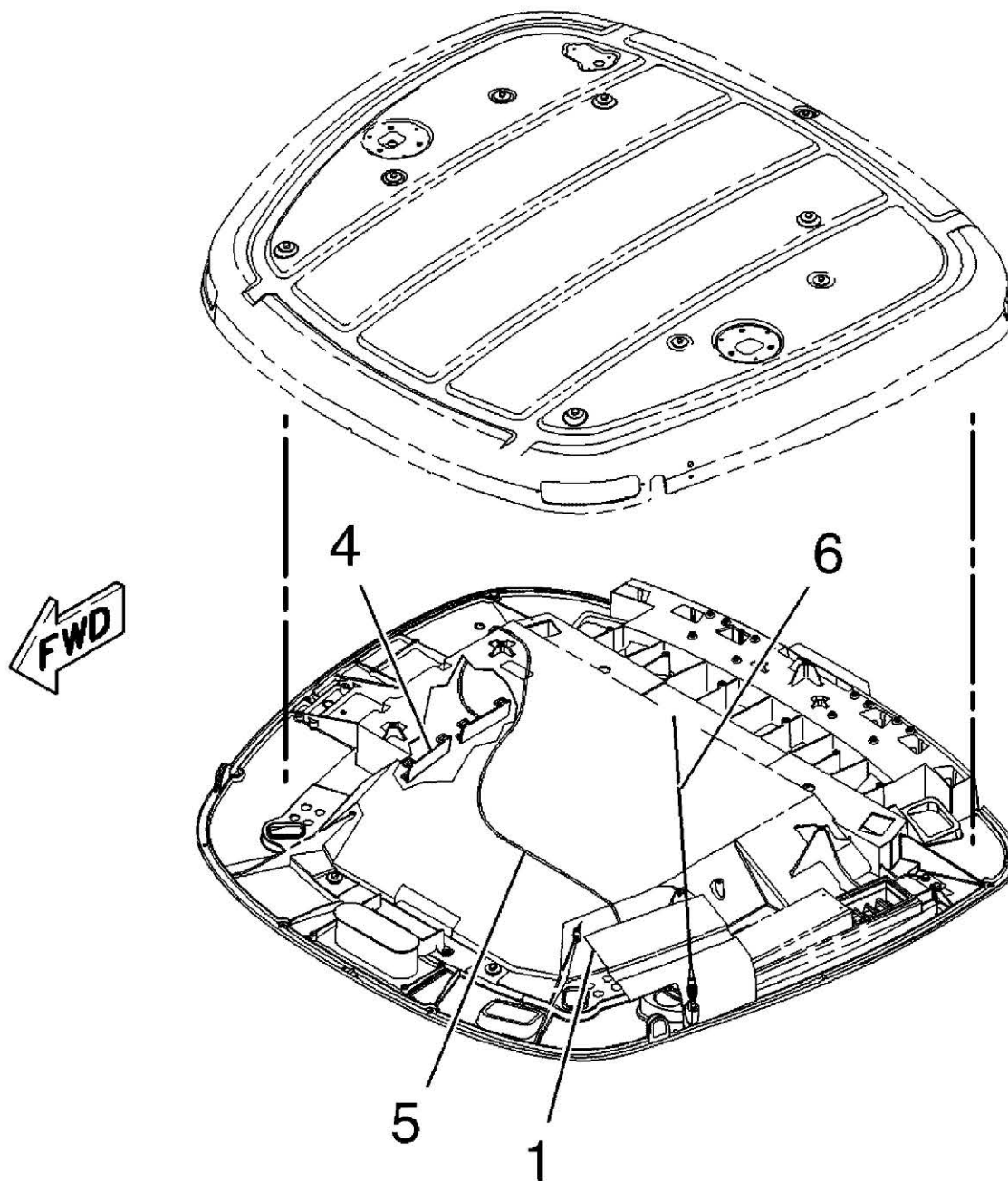


**575835D1 - RADIO SPEAKER GROUP - 2016**

---

ITEM	PART NUMBER	QTY	DESCRIPTION COMMENTS	TECHNICAL SPECIFICATION
1	400251X1	16	HEXAGONAL HEAD BOLT	M8X1.25X30 10.9
2	400310X1	12	FLAT WASHER	6.6MM ID X 12MM OD X 2MM
3	575384D1	2	SPEAKER	4" BASIC
4	575385D1	2	SPEAKER	5 1/4" BASIC
5	575837D2	2	BRACKET	-FRONT SPEAKER
6	575839D2	1	BRACKET	-REAR SPEAKER
7	575875D2	1	BRACKET	-REAR SPEAKER
8	CH110-2028	12	TORX HEAD SCREW	#10-14 X 19MM

168-1951-07-V554

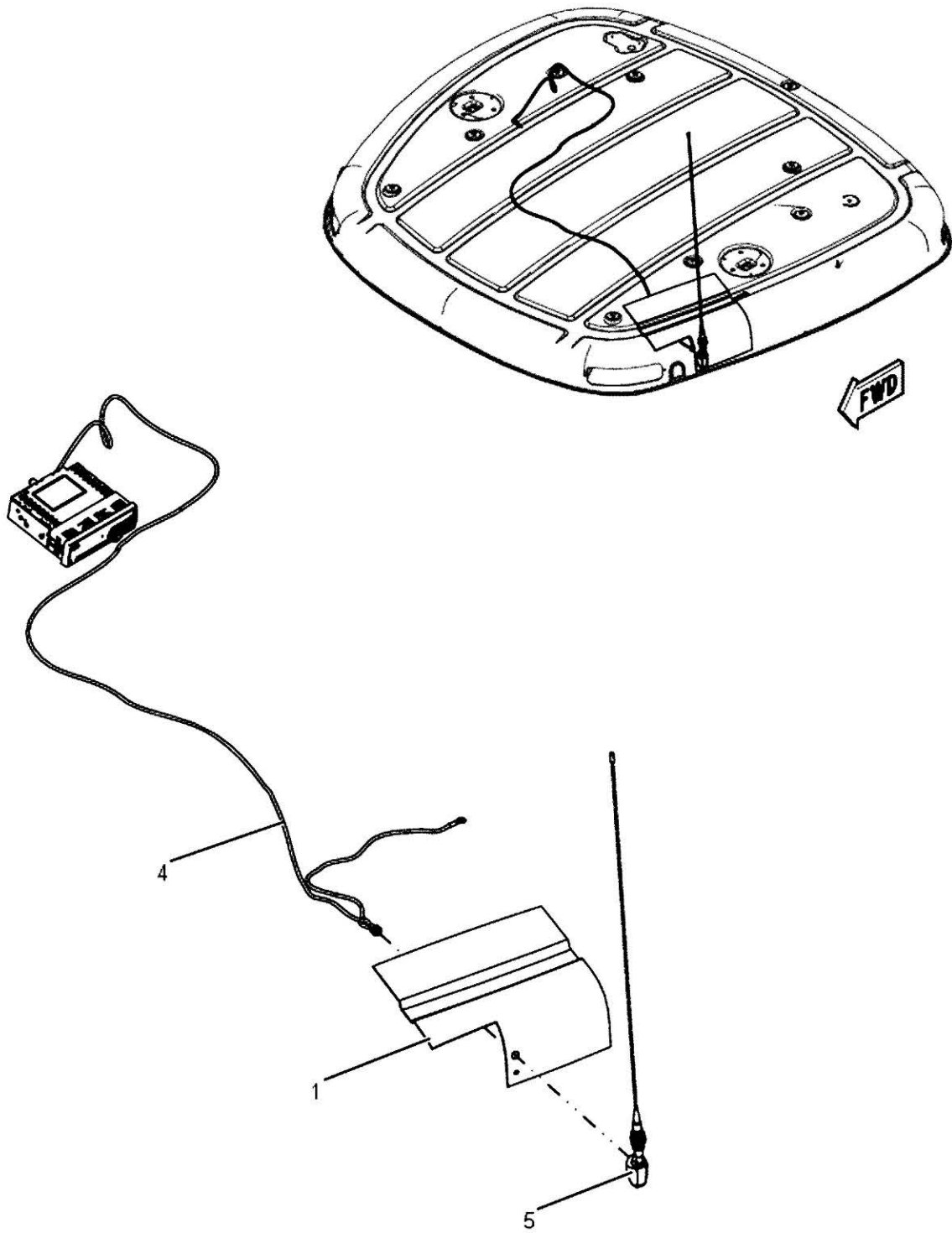


## 168-1951 - RADIO ANTENNA INSTALLATION

---

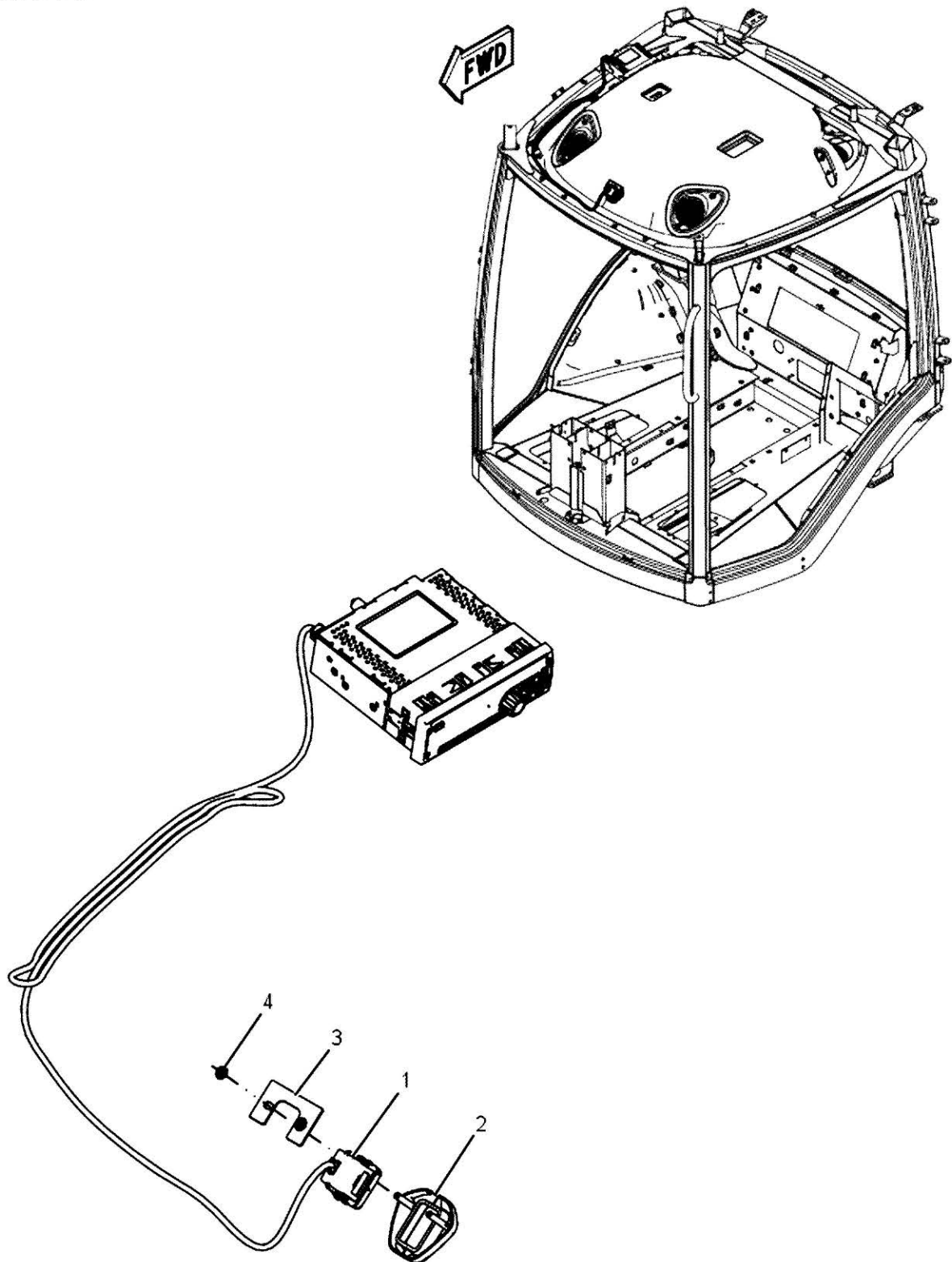
ITEM	PART NUMBER	QTY	DESCRIPTION COMMENTS	TECHNICAL SPECIFICATION
1	136-5330	1	PLATE GROUNDING	
4	400128X1	2	COVER PLASTIC	
5	534036D1	1	ANTENNA CABLE	
6	CH166-4615	1	ANTENNA	
	521794D1	1	ANTENNA WHIP	

582648D1-2-



ITEM	PART NUMBER	QTY	DESCRIPTION COMMENTS	TECHNICAL SPECIFICATION
1	136-5330	1	PLATE	
	AG512885	X	ADHESIVE SEALANT, BLUE USE AS REQUIRED NOT SHOWN	BLUE
	AG513841		SILICONE SEALANT USE AS REQUIRED NOT SHOWN	
4	534036D1	1	ANTENNA CABLE	
5	CH166-4615	1	ANTENNA	

578432D1-3

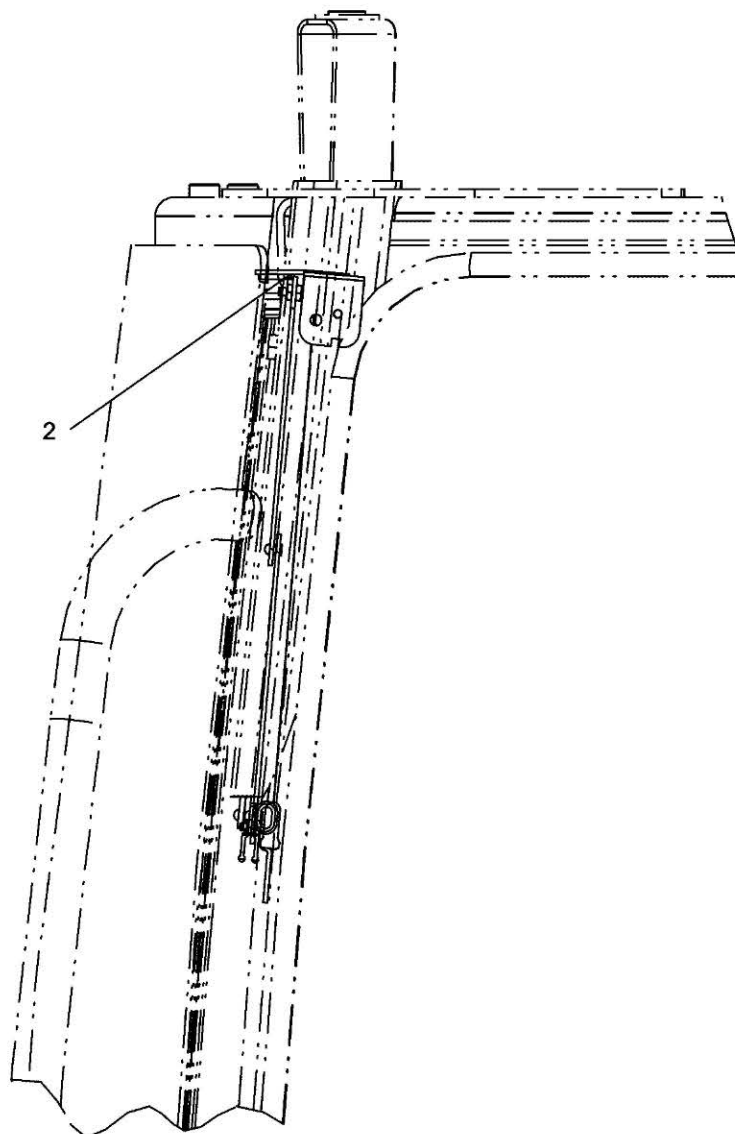


**578432D1 - MOUNT ASSEMBLY - 2016**

---

ITEM	PART NUMBER	QTY	DESCRIPTION COMMENTS	TECHNICAL SPECIFICATION
1	578301D1	1	MICROPHONE	BLUETOOTH
2	578431D1	1	MOUNTING BRACKET	MICROPHONE
3	584753D1	1	MOUNTING PLATE	MICROPHONE
4	CH5V-1496	2	PUSHNUT FASTENER	6.4MM STUD

152-0424-5-01



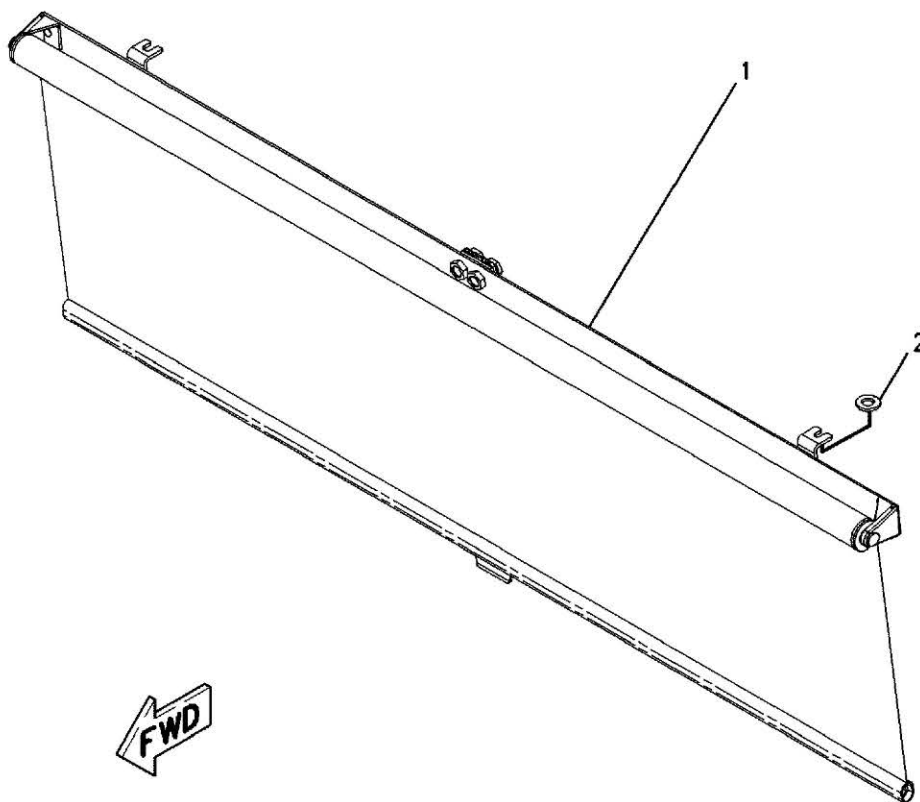
NOTE:  
USE EXISTING BOLTS USED TO INSTALL  
HEAD LINER, DISCARD EXISTING WASHER.

**152-0424 - CAB FRONT VISOR GROUP**

---

ITEM	PART NUMBER	QTY	DESCRIPTION COMMENTS	TECHNICAL SPECIFICATION
	521080D1	1	PANEL	
2	401437X1	2	FLAT WASHER	20 MM SQ

162-4095-05-R558

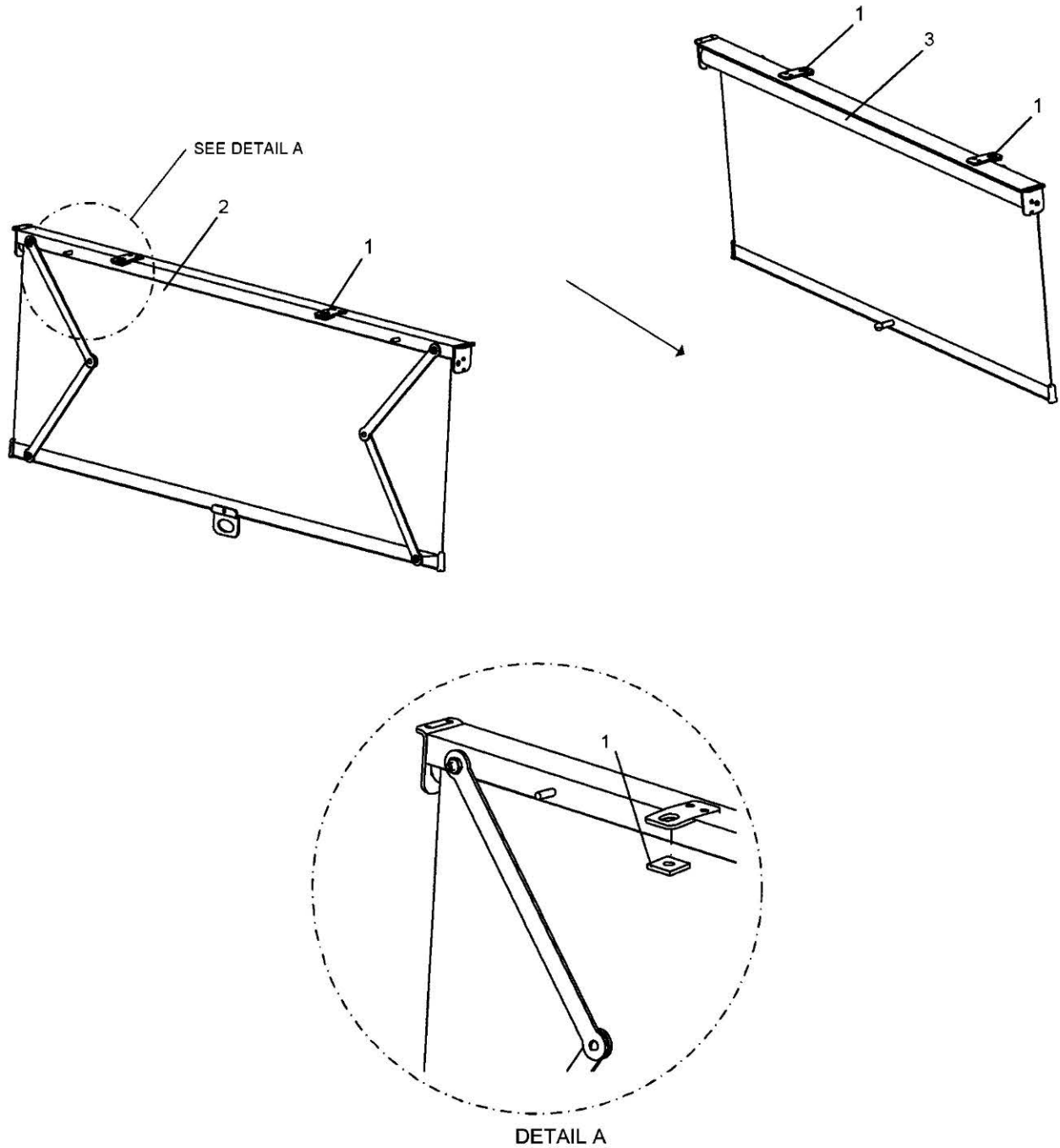


**162-4095 - CAB REAR VISOR GROUP**

---

ITEM	PART NUMBER	QTY	DESCRIPTION COMMENTS	TECHNICAL SPECIFICATION
1	521080D1	1	PANEL	
2	401437X1	2	FLAT WASHER	20 MM SQ

501886D1-04-V127

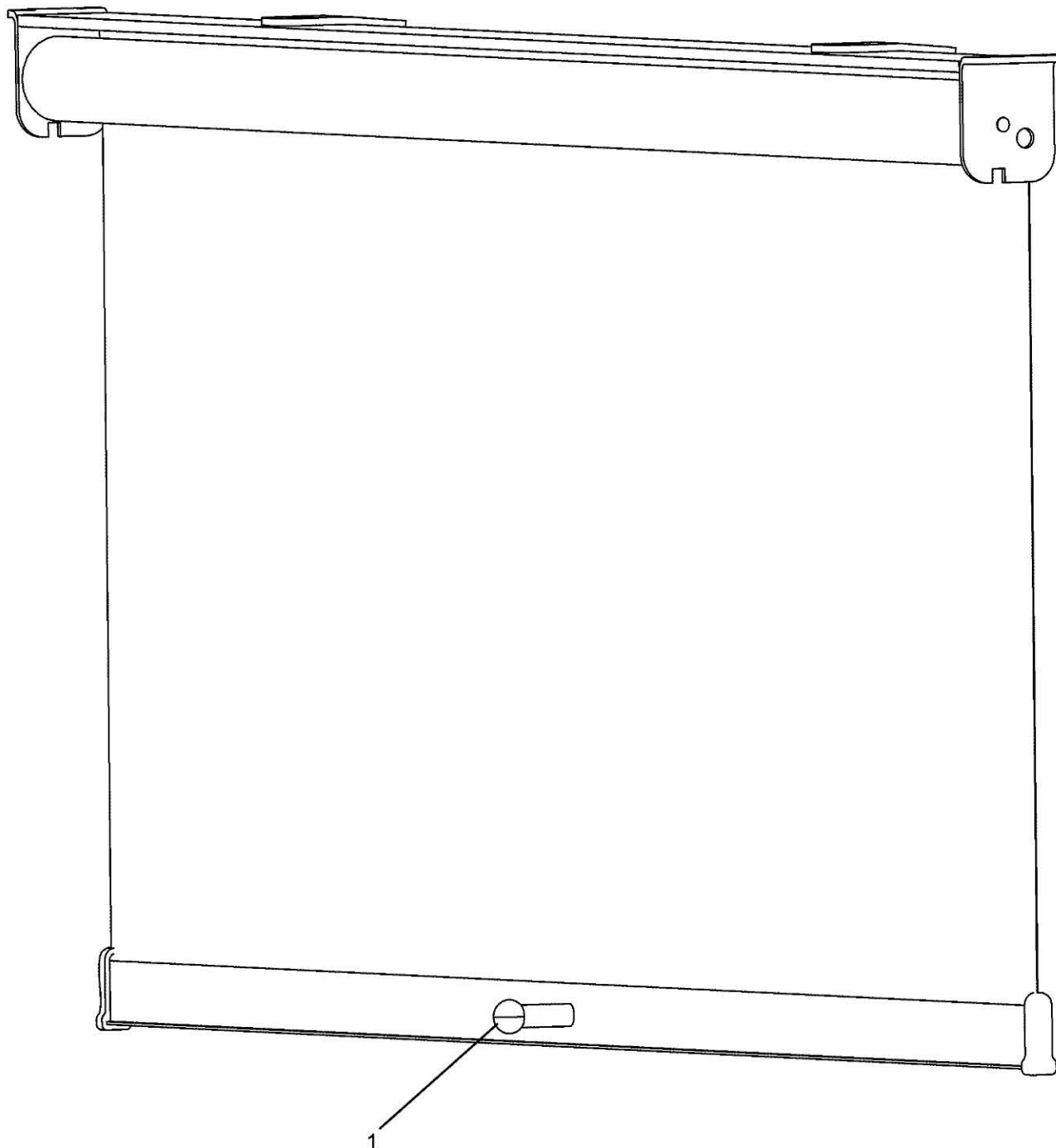


**501886D1 - CAB SIDE VISORS GROUP**

---

ITEM	PART NUMBER	QTY	DESCRIPTION COMMENTS	TECHNICAL SPECIFICATION
1	401437X1	4	FLAT WASHER	20 MM SQ
2	521079D1	1	SUN VISOR WINDOW	
3	530315D1	1	SUN SHIELD SEE PAGE 10-0011	

530315D1-02-V745

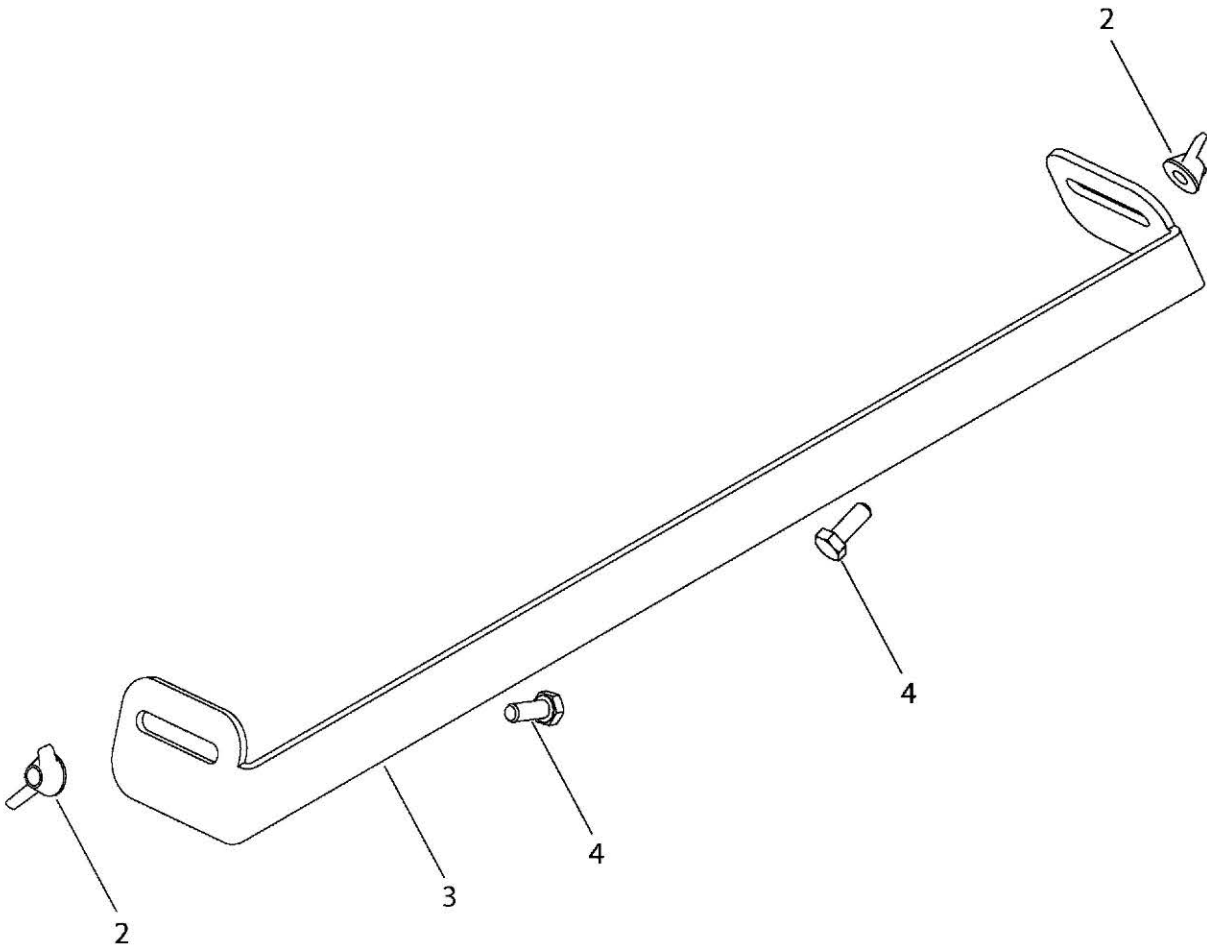


**530315D1 - WINDOW SUN SCREEN, LEFT HAND**

---

ITEM	PART NUMBER	QTY	DESCRIPTION COMMENTS	TECHNICAL SPECIFICATION
1	532050D1	1	KNOB ASSY SEE PAGE 10-0014	

501817D1-02

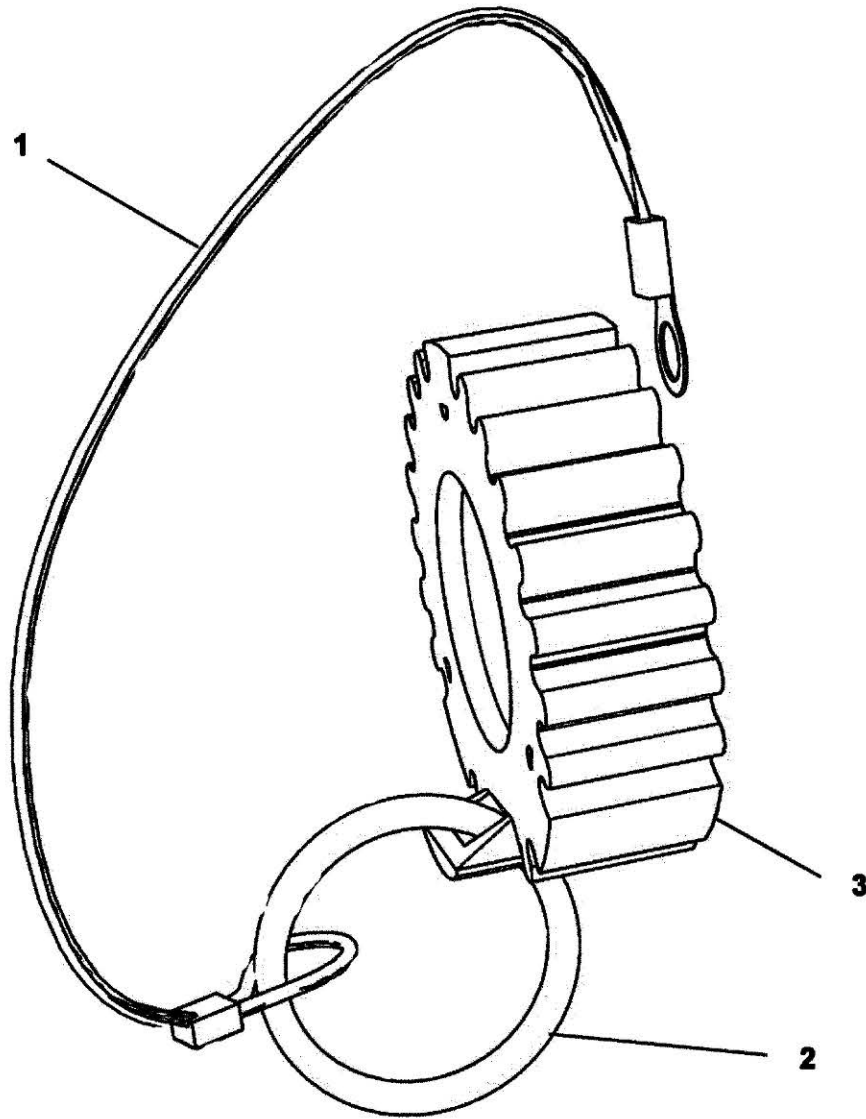


## 501817D1 - CHARCOAL FILTER BAFFLE GROUP

---

ITEM	PART NUMBER	QTY	DESCRIPTION COMMENTS	TECHNICAL SPECIFICATION
2	400718X1	2	WING NUT	M6 X 1
3	501818D1	1	BAFFLE RECIRCULATION	
4	400152X1	2	HEXAGONAL HEAD BOLT	M6 X 1 X 16MM, CL10.9

501941D1-02-W849

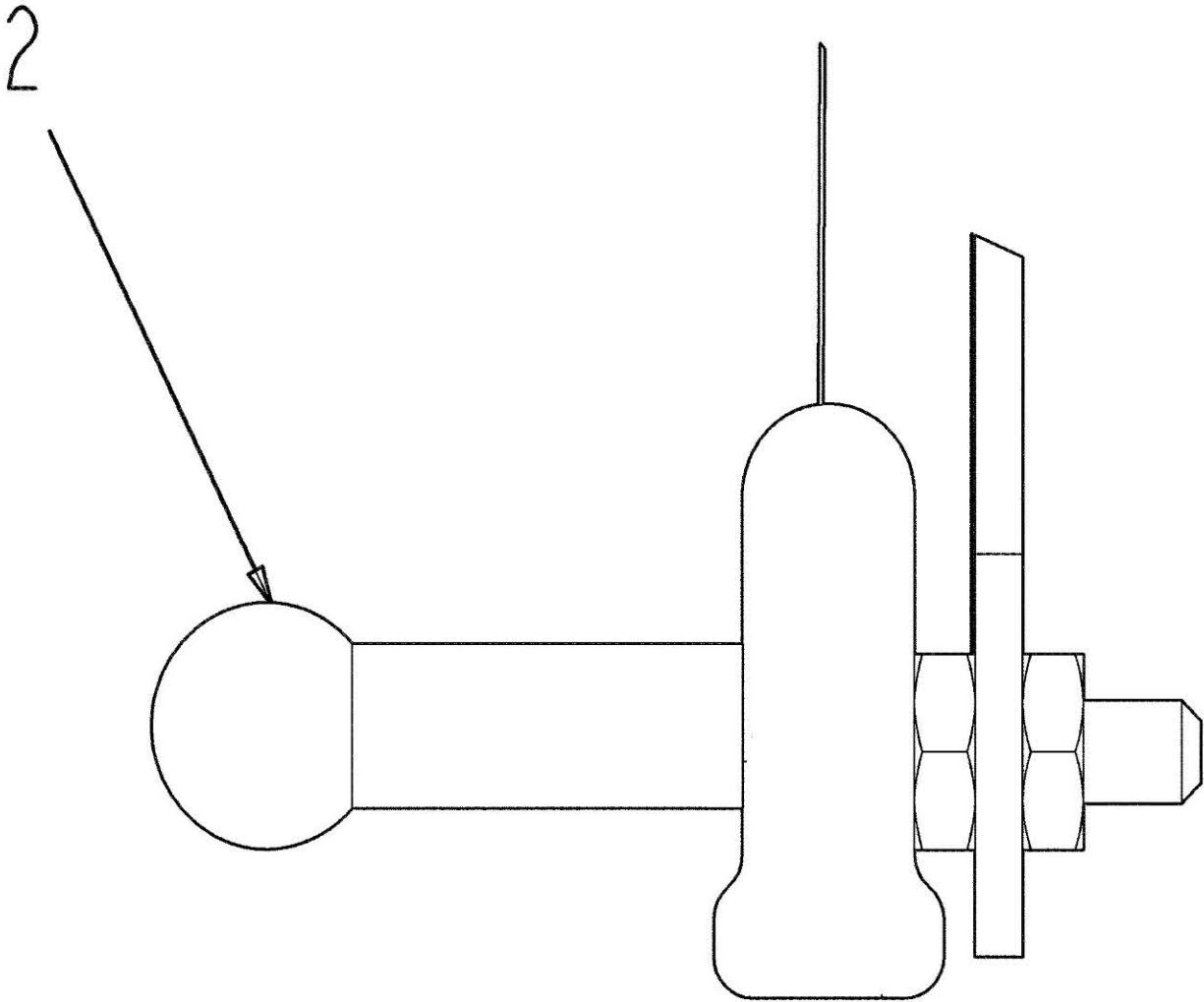


**501941D1 - CAP, WITH LANYARD ASSEMBLY**

---

ITEM	PART NUMBER	QTY	DESCRIPTION COMMENTS	TECHNICAL SPECIFICATION
1	400408X1	1	LANYARD	
2	400409X1	1	KEY RING	
3	CH8C-6354	1	CAP	

532050D1-02-V554



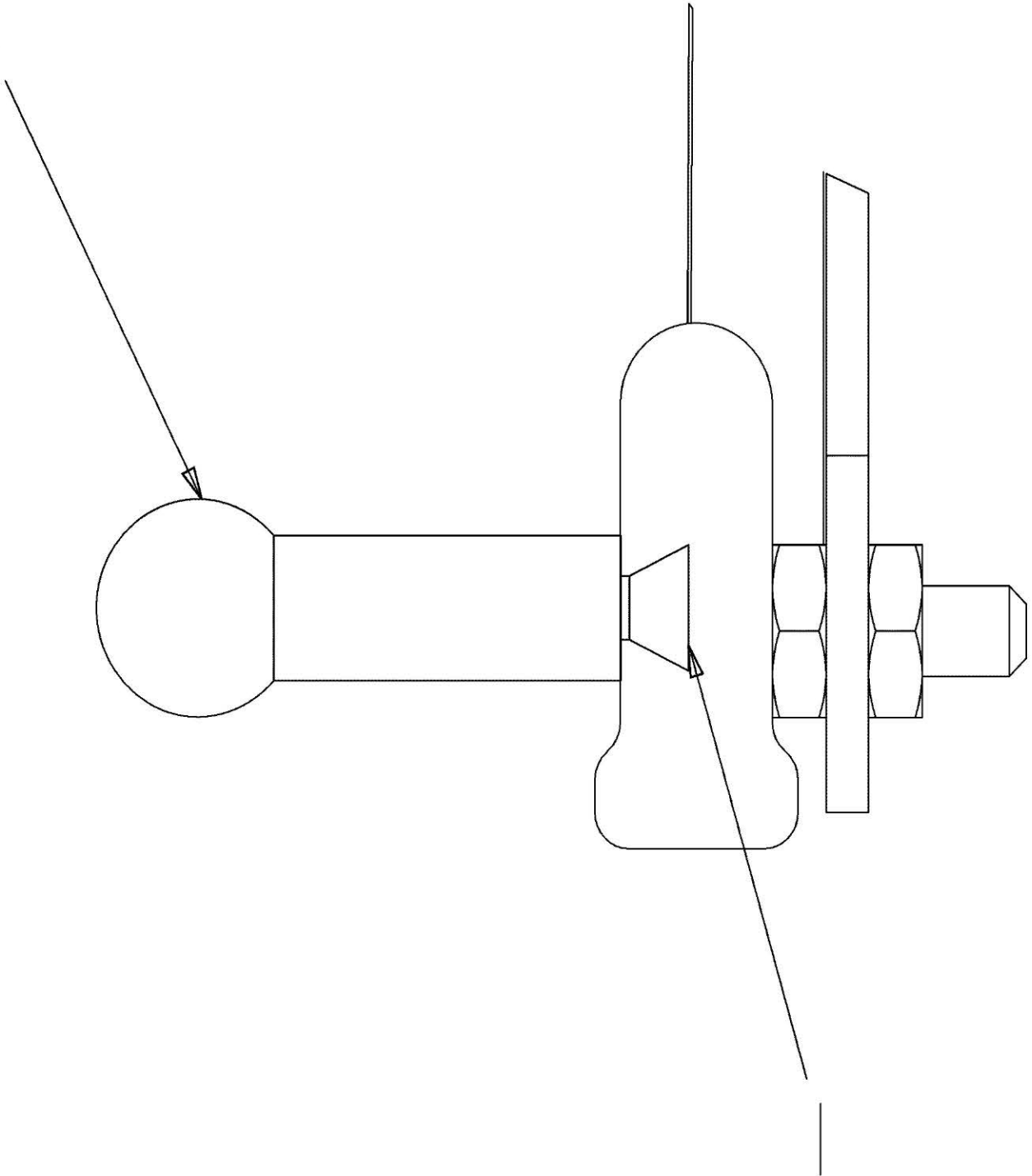
**532050D1 - KNOB KIT**

---

ITEM	PART NUMBER	QTY	DESCRIPTION COMMENTS	TECHNICAL SPECIFICATION
2	534649D1	1	<b>APPLIES TO ALL TRACTORS BUILT.</b> KNOB ASSY SEE PAGE 10-0015	

534649D1-01-V554

2

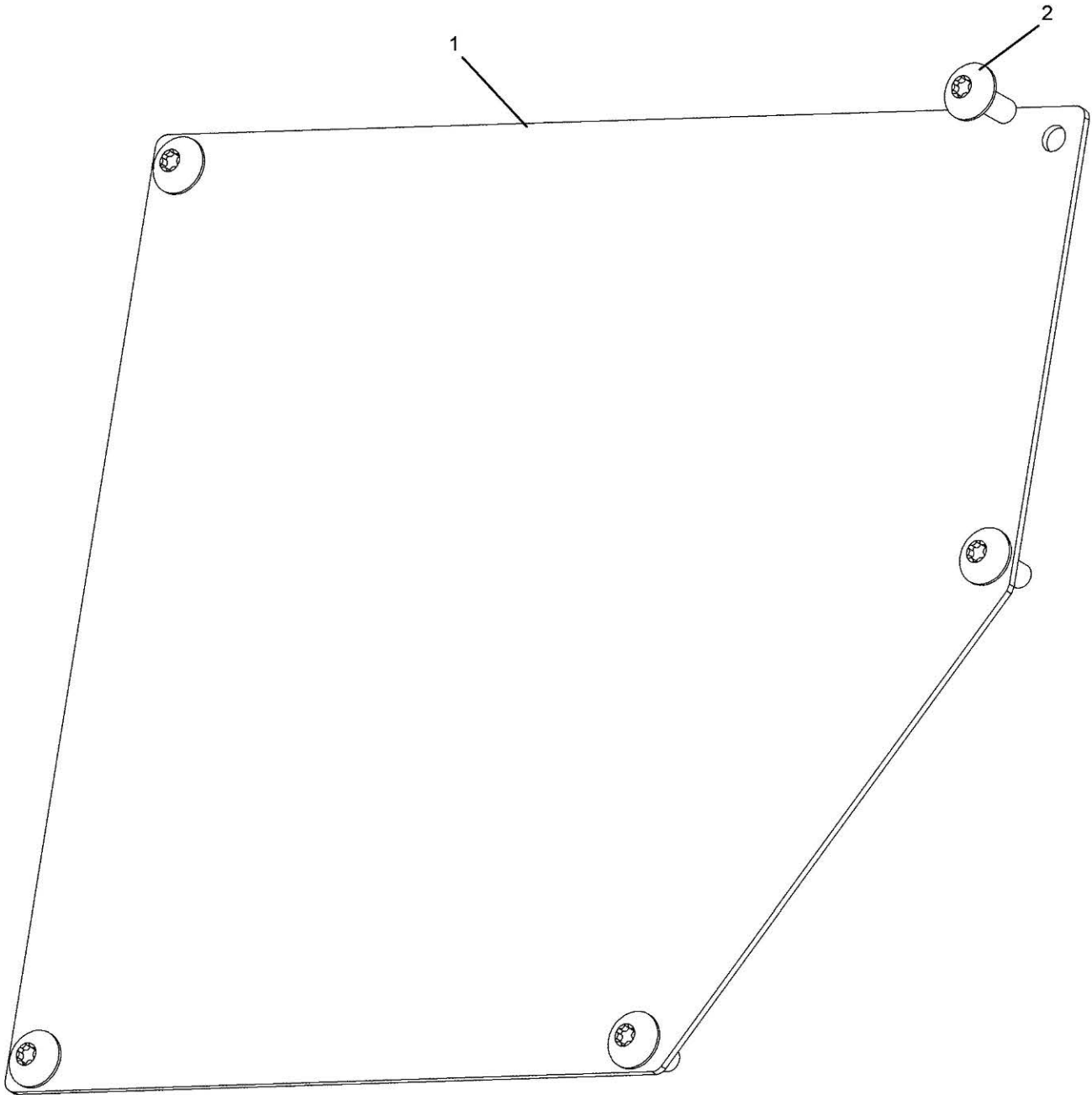


**534649D1 - KNOB GROUP**

---

ITEM	PART NUMBER	QTY	DESCRIPTION COMMENTS	TECHNICAL SPECIFICATION
1	402048X1	1	SCREW	#6X19
2	533912D1	1	KNOB	

518702D1-01-R240

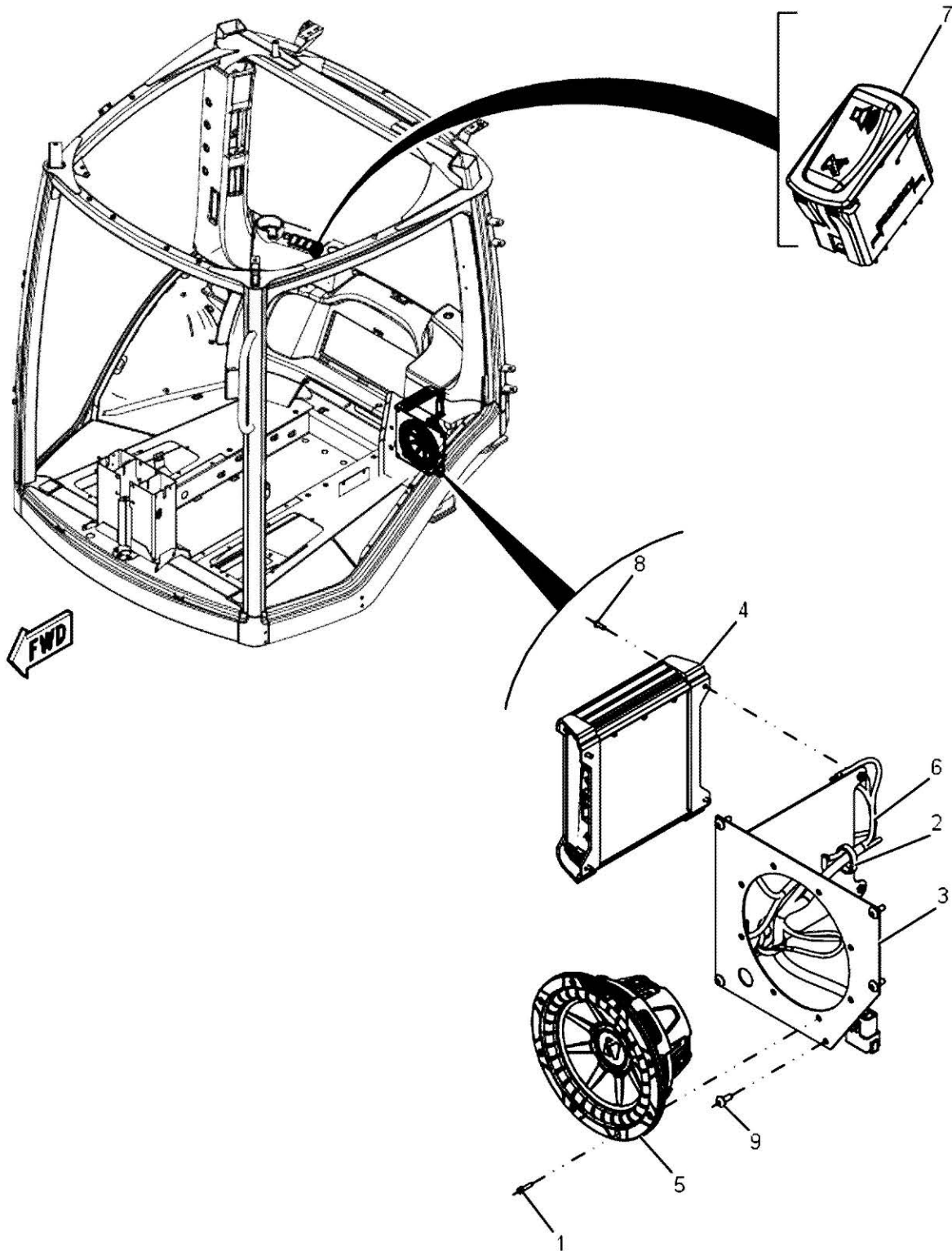


**518702D1 - COVER GROUP, SUBWOOFER**

---

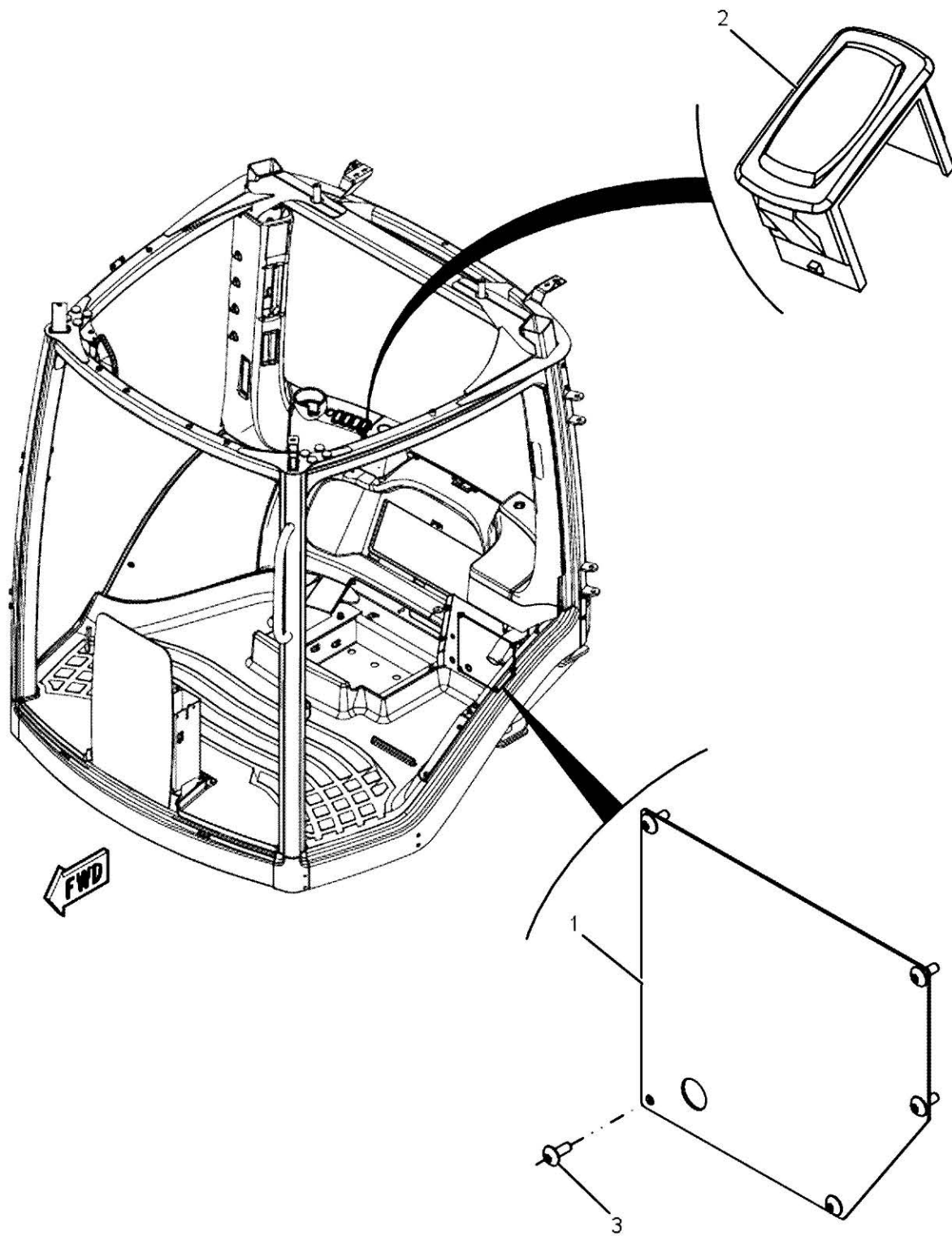
ITEM	PART NUMBER	QTY	DESCRIPTION COMMENTS	TECHNICAL SPECIFICATION
1	178-6238	1	COVER	
2	CH9X-2044	5	TORX HEAD SCREW	M6 X 1 X 16MM, T30

575881D1-4



ITEM	PART NUMBER	QTY	DESCRIPTION COMMENTS	TECHNICAL SPECIFICATION
	529147D1	-	EDGE TRIM BULK: 40 MM NOT SHOWN	4MM
1	400251X1	8	HEXAGONAL HEAD BOLT	M8X1.25X30 10.9
2	402294X1	2	CABLE TIE	390MM X 7.6MM
3	603206D1	1	BRACKET	
4	575472D1	1	RADIO KIT	250W
5	575531D1	1	SPEAKER	200W
6	576017D2	1	WIRE HARNESS	SUBWOOFER
7	582281D1	1	ROCKER SWITCH	ENABLE,SUBWOOFER
8	CH7Y-3173	4	HEX SOCKET BUTTON HEAD BOLT	M4 X .7 X 12MM, CL12.9
9	CH9X-2044	5	TORX HEAD SCREW	M6 X 1 X 16MM, T30
	6632217	-	SEAL FOAM TAPE BULK: 941 MM 0.25 THICK X 0.50 WIDE NOT SHOWN	1/4" X 1/2" X 17'

582432D1-2

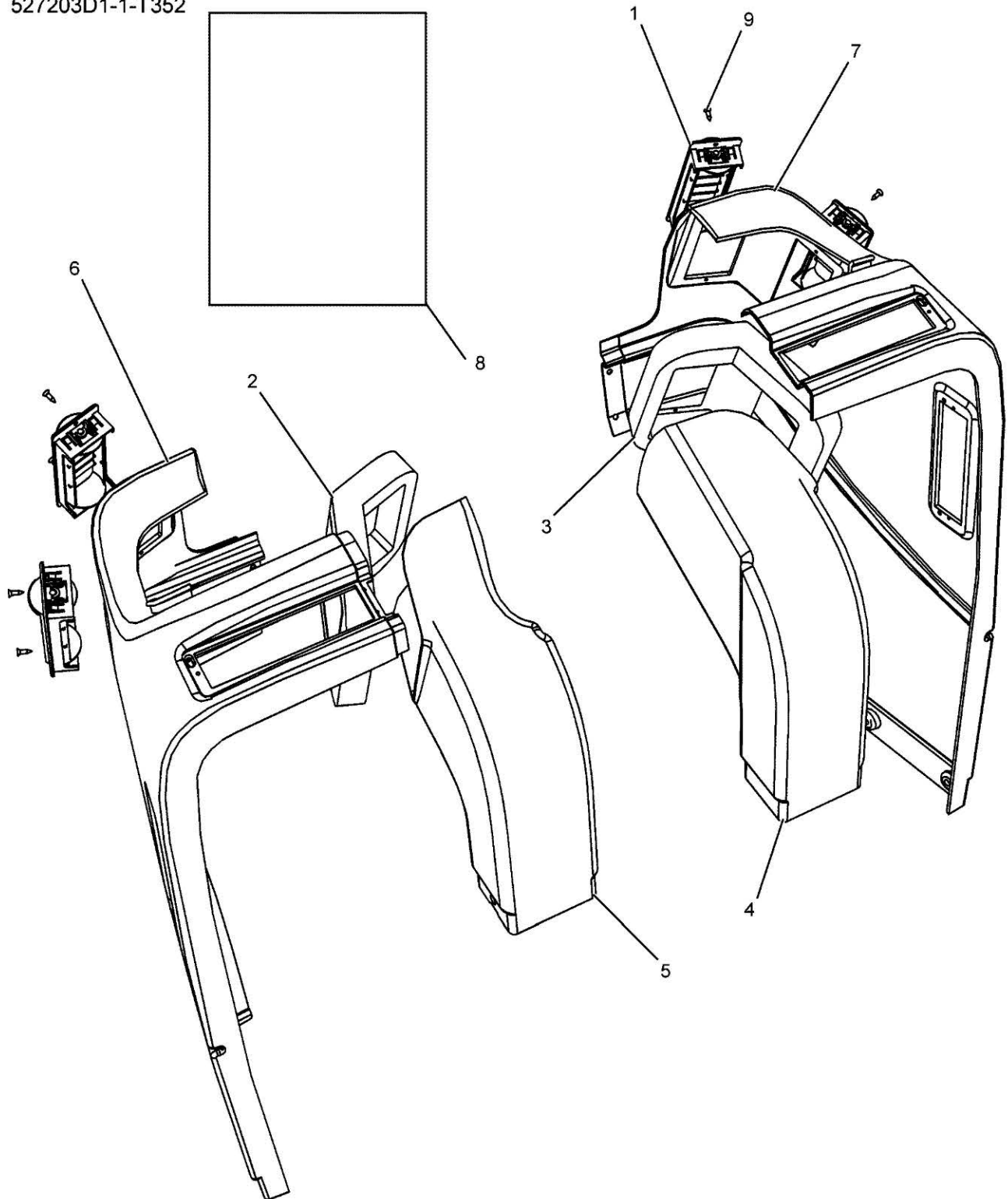


**582432D1 - COVER GROUP, SUBWOOFER - 2016**

---

ITEM	PART NUMBER	QTY	DESCRIPTION COMMENTS	TECHNICAL SPECIFICATION
1	582365D1	1	COVER PANEL	SUBWOOFER
2	CH165-5975	1	SWITCH COVER PLUG	
3	CH9X-2044	5	TORX HEAD SCREW	M6 X 1 X 16MM, T30

527203D1-1-T352

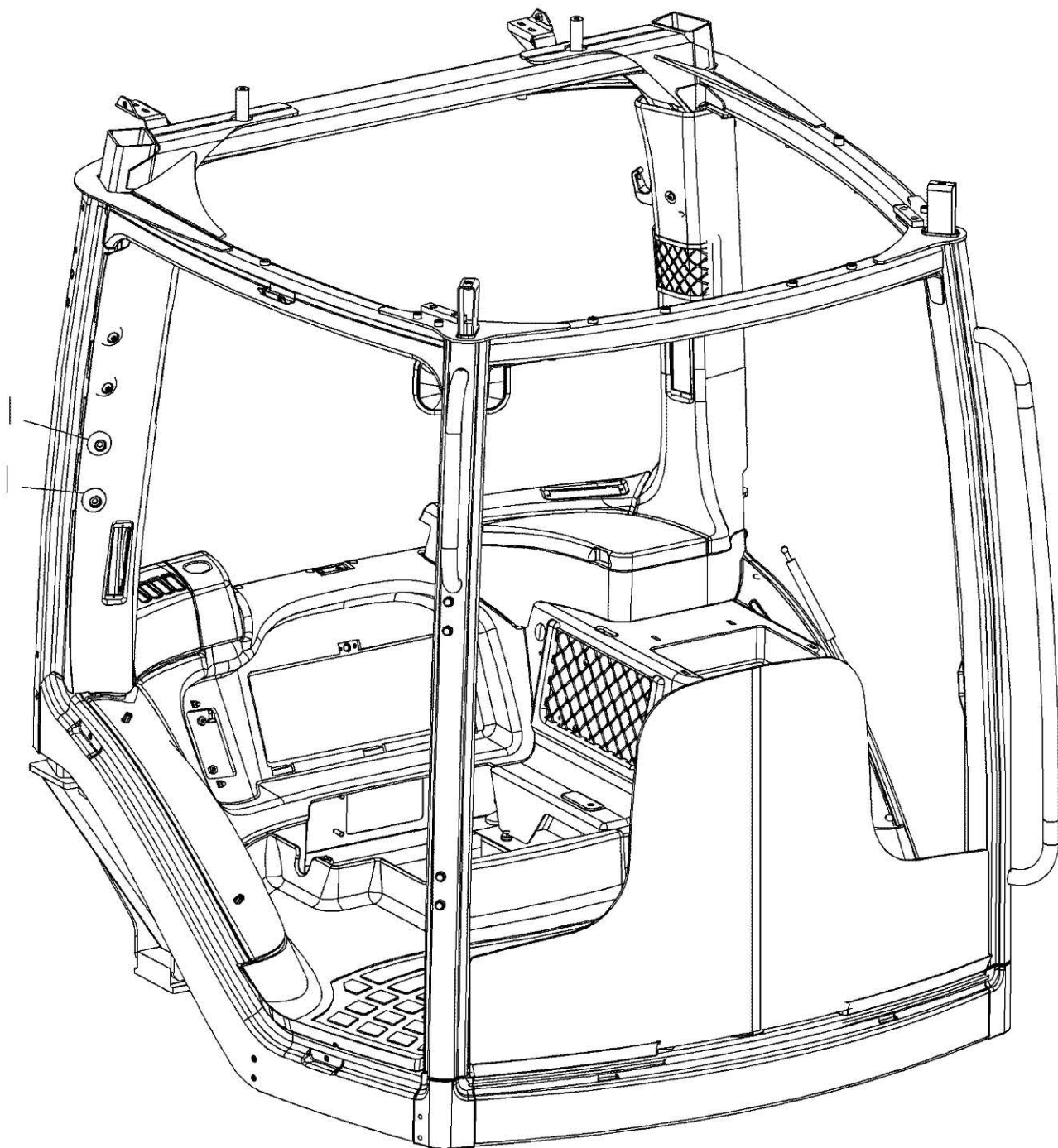


**527203D1 - FRONT CONSOLE SERVICE KIT**

---

ITEM	PART NUMBER	QTY	DESCRIPTION COMMENTS	TECHNICAL SPECIFICATION
			<b>APPLIES TO ALL TRACTORS BUILT.</b>	
	527203D1	1	SERVICE KIT	
1	501826D1	4	LOUVRE	
2	521165D1	1	FOAM SEAL	
3	521166D1	1	FOAM SEAL	
4	522720D1	1	AIR DUCT	
5	522721D1	1	AIR DUCT	
6	527201D1	1	CONSOLE	
7	527202D1	1	CONSOLE	
8	527215D1	1	INSTRUCTIONS	
9	CH104-2091	8	FLAT HEAD SCREW	#6-20 X 12.7MM

529056D1-01-T638



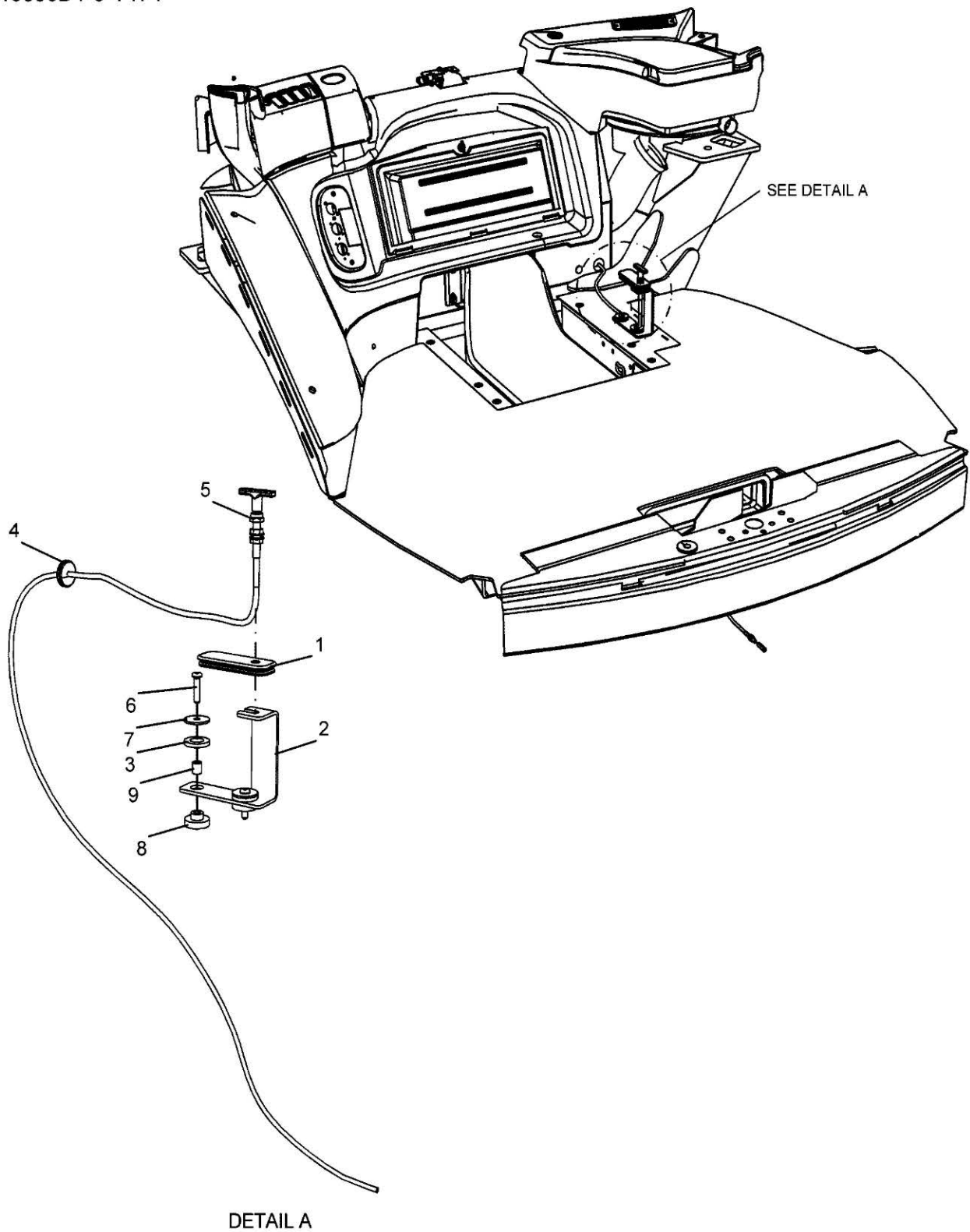
## 529056D1 - ACCESS BAR PLUG INSTALLATION

---

ITEM	PART NUMBER	QTY	DESCRIPTION COMMENTS	TECHNICAL SPECIFICATION
1	CH174-5789	2	PLUG MONITOR	

513880D1 - PARK BRAKE CABLE INSTALLATION

513880D1-3-Y174

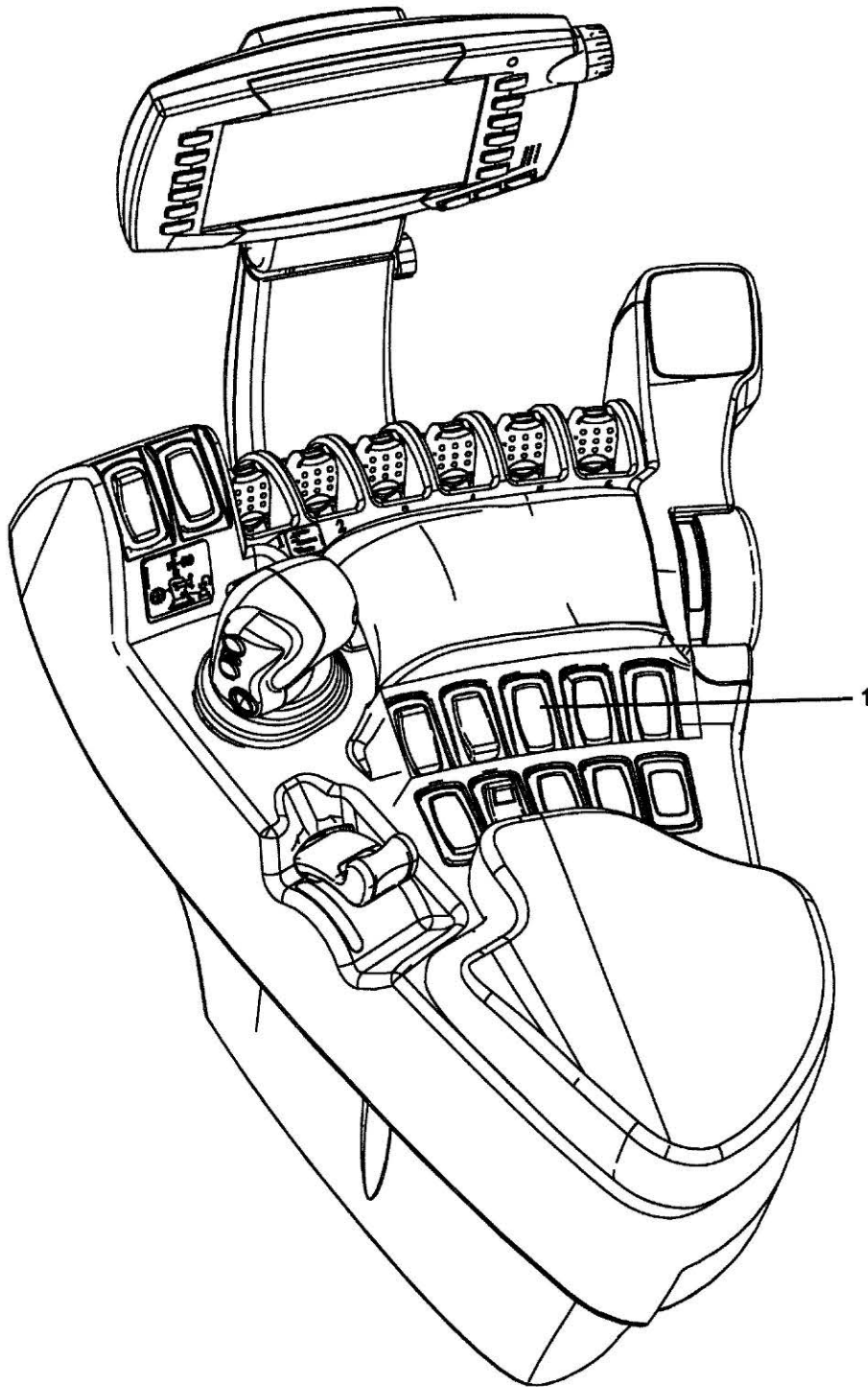


## 513880D1 - PARK BRAKE CABLE INSTALLATION

---

ITEM	PART NUMBER	QTY	DESCRIPTION COMMENTS	TECHNICAL SPECIFICATION
1	174-5774	1	GROMMET BRAKE	28M X 98MM X 4MM
2	210-7483	1	BRACKET	
3	226-0373	2	MOUNTING RING	19MM ID X 34.9MM OD X 7.7MM
4	400114X1	1	GROMMET RUBBER	7MM ID X 30MM OD X 3MM
5	513875D1	1	CABLE PARK BRAKE	
6	CH142-2304	2	HEX SOCKET BUTTON HEAD BOLT	M8 X 1.25 X 35MM
7	CH156-0283	2	WASHER	8.4MM ID X 35MM OD X 2.5 MM
8	CH226-0372	2	BUSHING	9.5MM ID X 34.9MM OD
9	CH226-2711	2	SPACER	8.2MM OD X 12.7MM OD X 14MM

550827D1-1-Y368

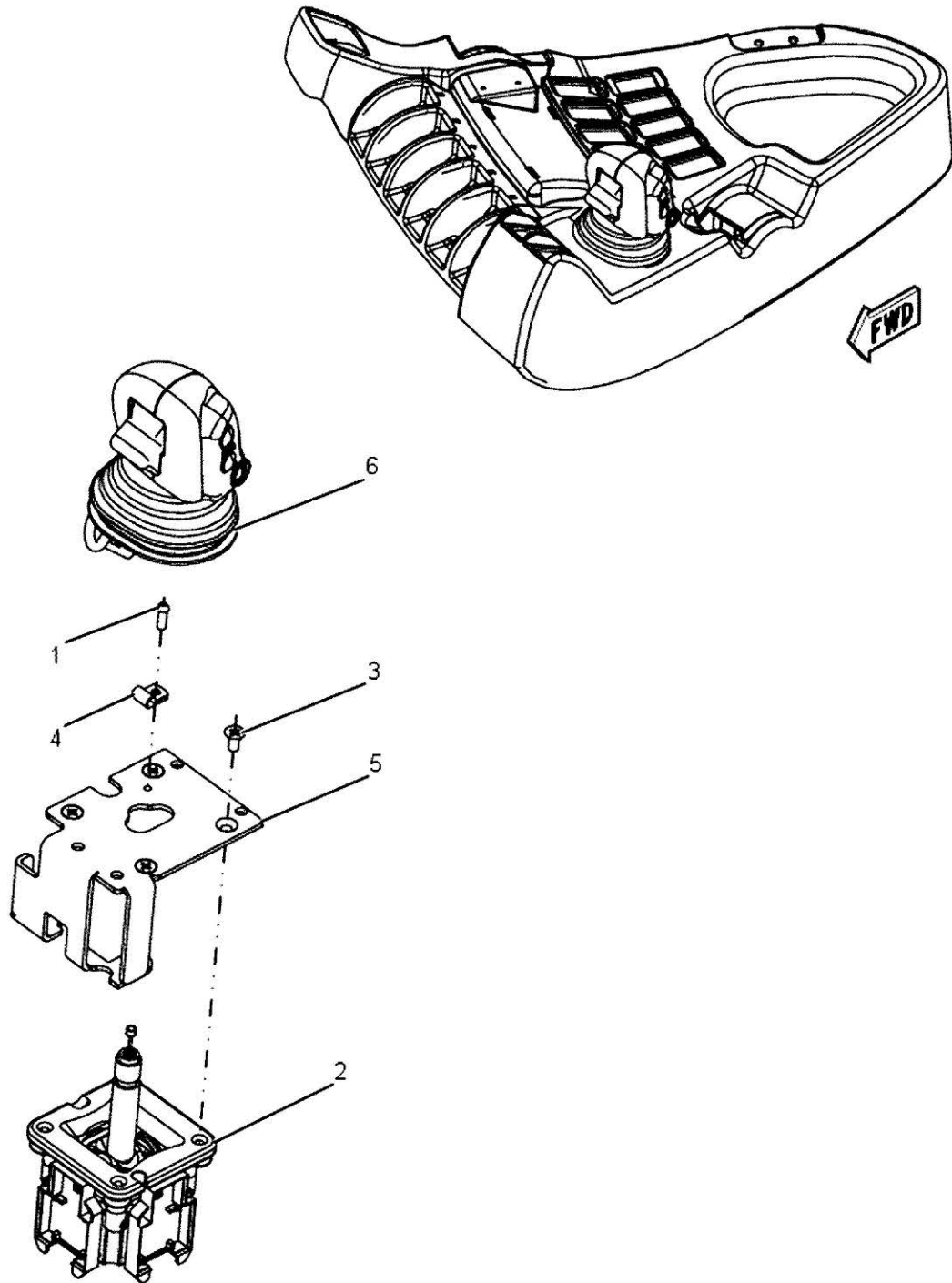


**550827D1 - PLUG INSTALLATION WITHOUT CREEPER-DIFFERENTIAL LOCK**

---

ITEM	PART NUMBER	QTY	DESCRIPTION COMMENTS	TECHNICAL SPECIFICATION
1	CH165-5975	1	SWITCH COVER PLUG OPENING	

508325D2-01-

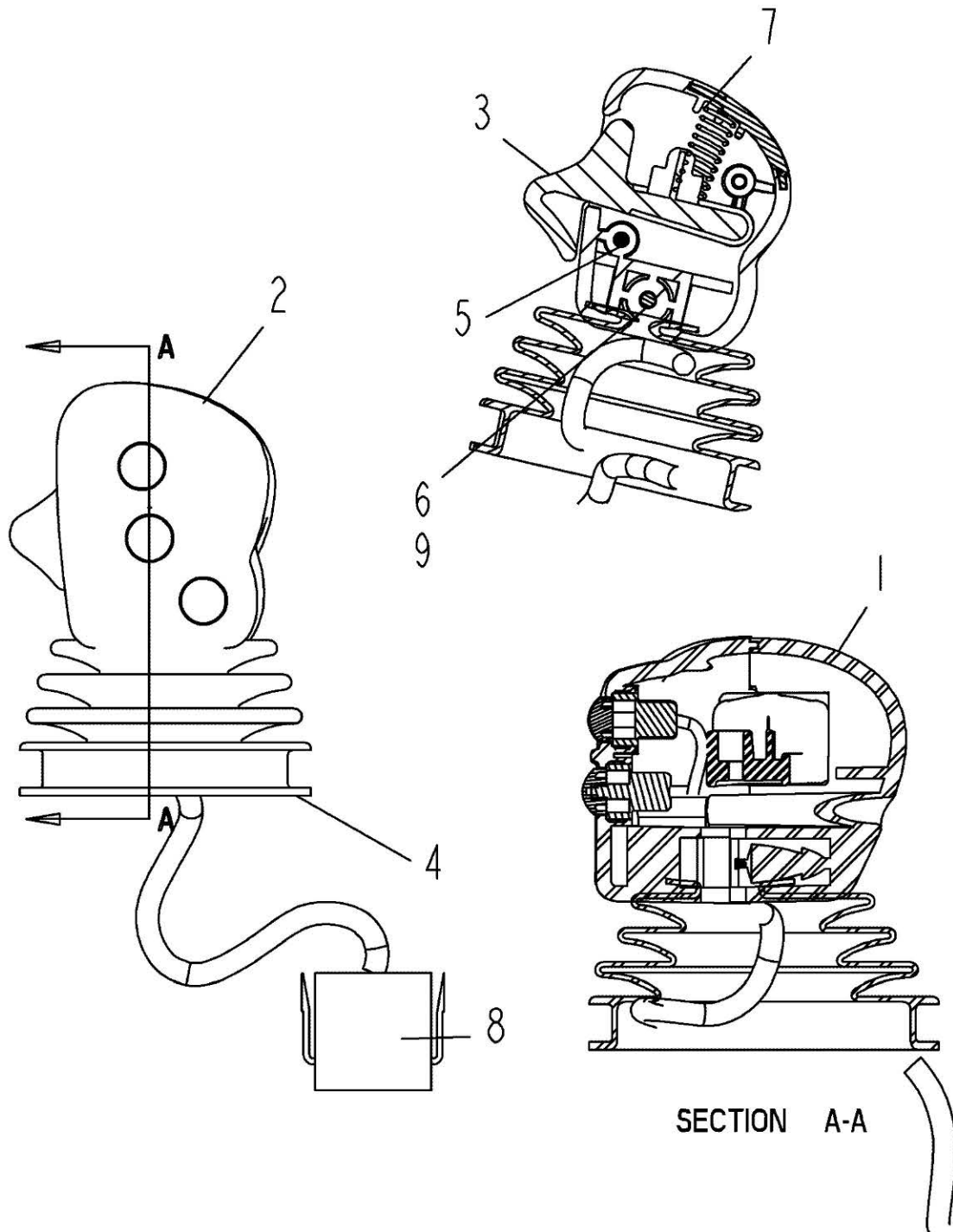


**508325D2 - TRANSMISSION CONTROL GROUP, SHIFT HANDLE**

---

ITEM	PART NUMBER	QTY	DESCRIPTION COMMENTS	TECHNICAL SPECIFICATION
1	400836X1	1	PAN HEAD MACHINE SCREW	M5 X 0.8 X 14MM
2	508318D1	1	JOYSTICK TRANSMISSION	
3	521651D1	4	MACHINE SCREW	M6 X .08 X 12MM
4	403196X1	1	P-CLAMP	1/4"
5	522204D1	1	MOUNTING BRACKET	
6	532508D1	1	HANDLE TRANSMISSION SHIFTER CONTROL SEE PAGE 10-0024	

532508D1-01-V208

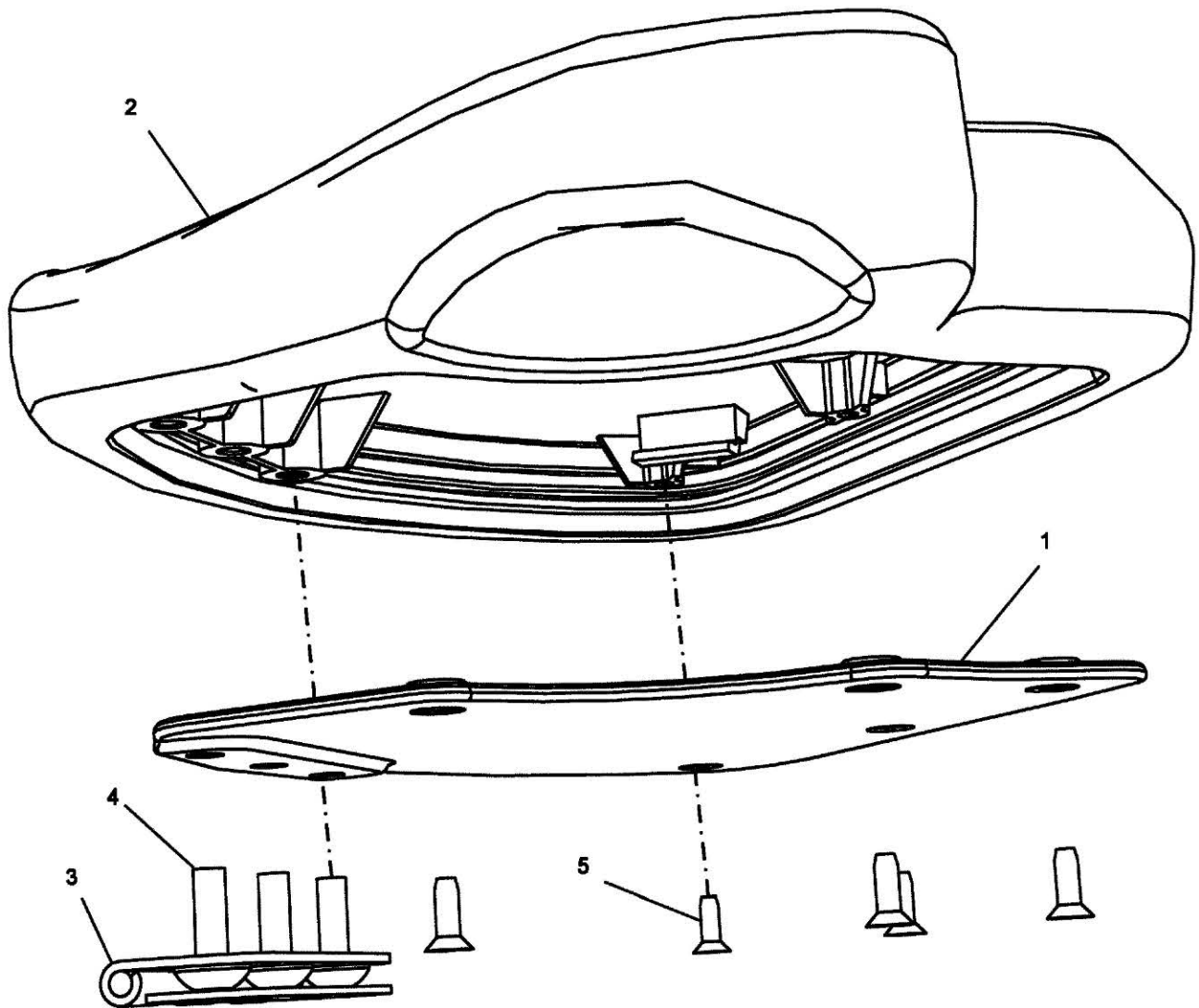


**532508D1 - TRANSMISSION SHIFTER CONTROL HANDLE. B**

---

ITEM	PART NUMBER	QTY	DESCRIPTION COMMENTS	TECHNICAL SPECIFICATION
1	164-7041	1	HANDLE COVER	
2	172-6869	1	GRIP	COVER
3	168-2334	1	TRIGGER	
4	166-4553	1	PROTECTOR BOOT	
5	400073X1	2	HEX SOCKET HEAD BOLT	M3 X .5 X 30MM
6	CH6V-9492	1	PAN HEAD MACHINE SCREW	M4 X .7 X 25MM
7	CH9S-1347	1	SPRING	
8	529328D1	1	PUSH-BUTTON SWITCH SEE PAGE 10-0048	
9	CH3B-4501	1	LOCK WASHER	APPX. 4.33MM ID X 1.02MM

532681D1-01-V208

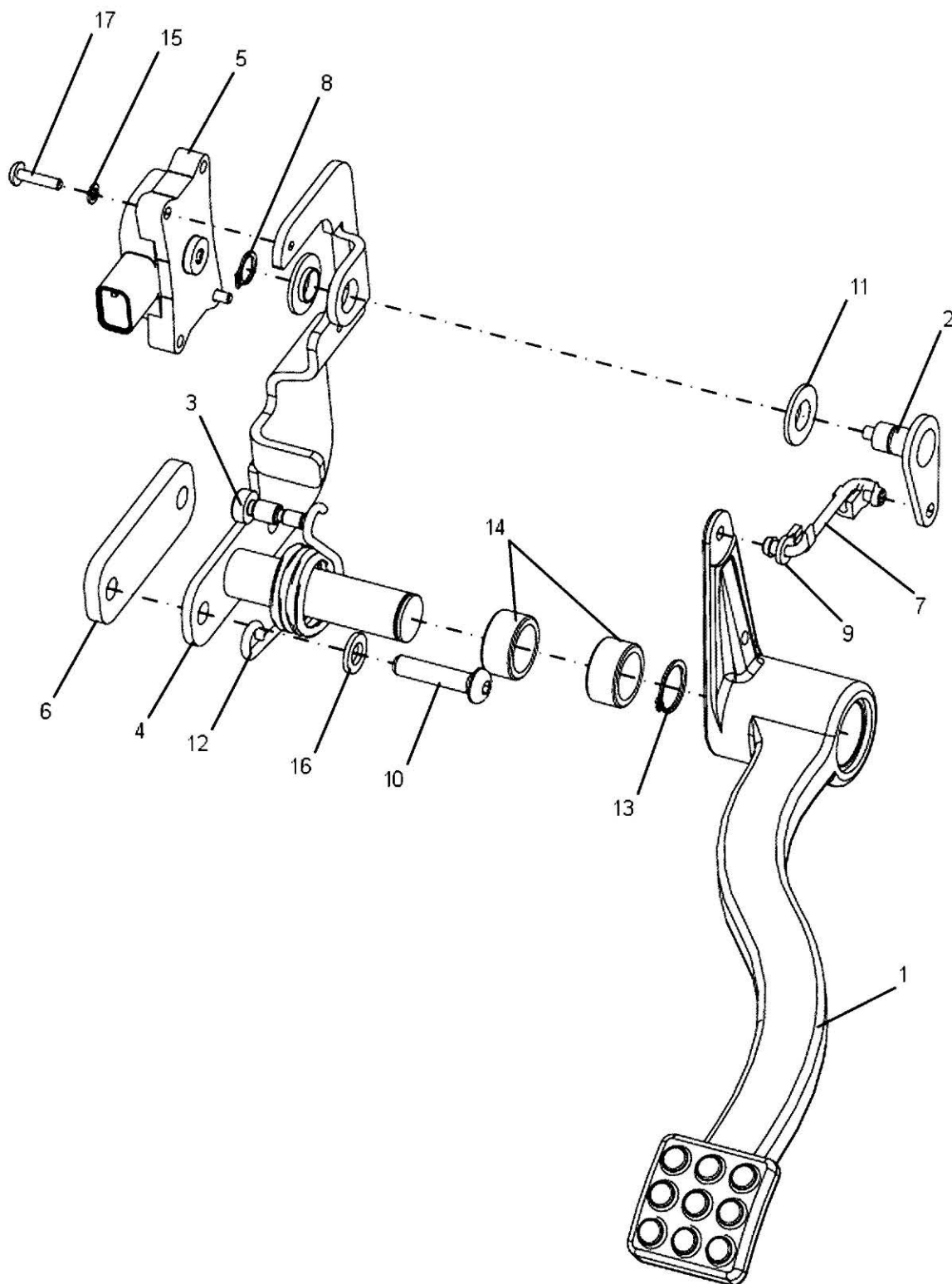


**532681D1 - ARM PAD**

---

ITEM	PART NUMBER	QTY	DESCRIPTION COMMENTS	TECHNICAL SPECIFICATION
1	532679D1	1	PLATE	
2	532680D1	1	PAD	
3	CH162-4105	1	HINGE	
4	CH207-2021	3	ROUND HEAD SCREW	K70-3.14
5	CH207-2022	5	PAN HEAD MACHINE SCREW	#8-16 X 12.4MM

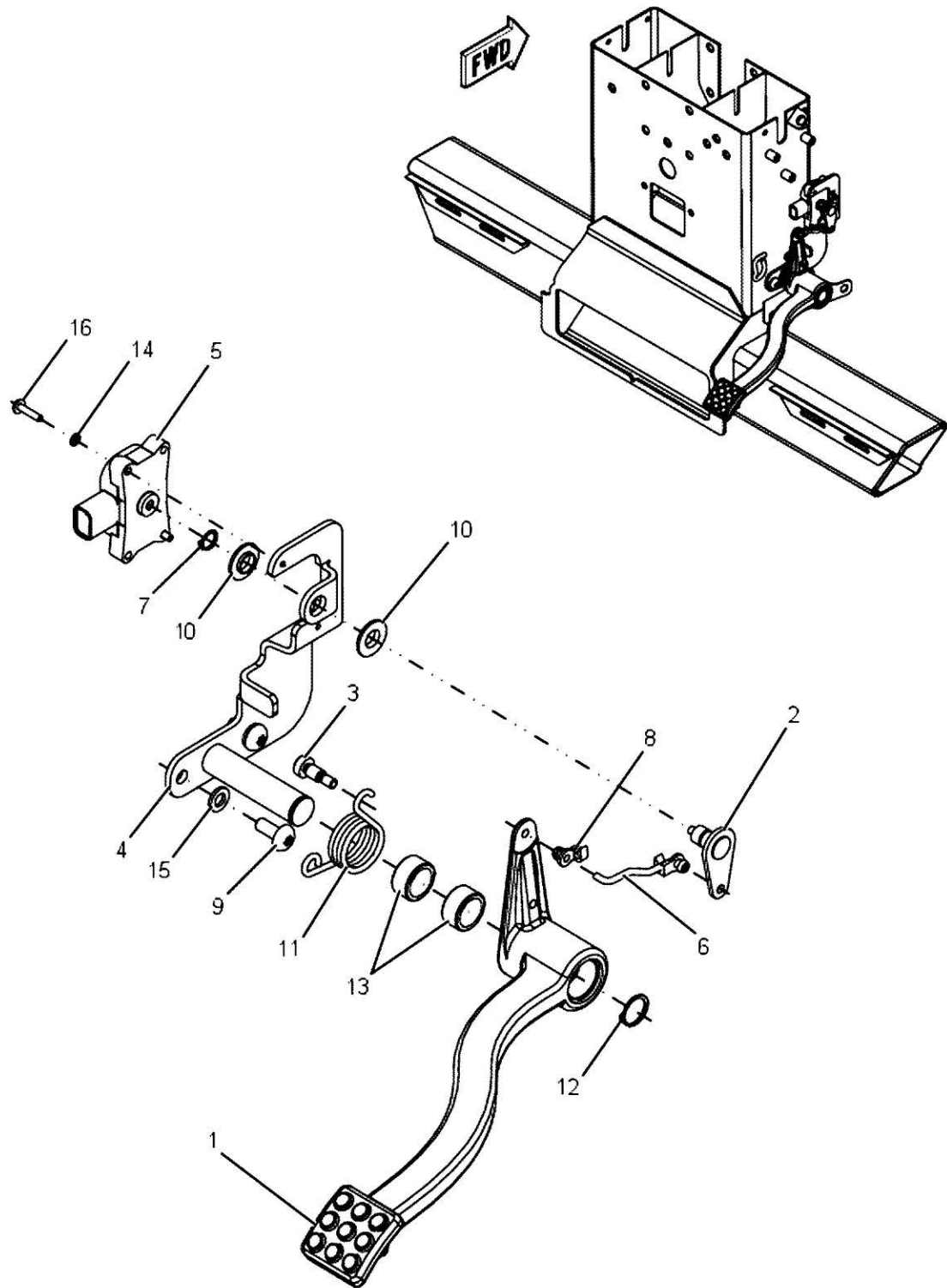
152-0447-11-



**152-0447 - DECELERATOR CONTROL GROUP**

ITEM	PART NUMBER	QTY	DESCRIPTION COMMENTS	TECHNICAL SPECIFICATION
1	136-5218	1	ACCELERATOR	
2	136-5224	1	ARM	
3	400004X1	1	HEX SOCKET HEAD BOLT	M6 X 1 X 23MM
4	529059D1	1	BRACKET	
5	550825D1	1	POSITION SENSOR	
6	550866D1	1	PLATE	
7	550872D1	1	LINK	
8	CH095-0915	1	RETAINING RING EXTERNAL	10.5MM ID X 1MM
9	CH116-5728	2	CLIP ROD END	5.5MM
10	CH142-2304	2	HEX SOCKET BUTTON HEAD BOLT	M8 X 1.25 X 35MM
11	CH177-0378	2	BUSHING	12MM ID X 24MM OD
12	CH214-9441	1	SPRING	
13	CH2J-6356	1	RETAINING RING EXTERNAL	17.8MM ID X 1.07MM
14	CH4E-1251	2	BEARING SLEEVE	3/4" X 1"
15	CH8C-9660	2	FLAT WASHER	4.6MM ID X 7.9MM OD X 0.8MM
16	CH9M-1974	2	FLAT WASHER	DIAM : 8,8-16 X 2 MM
17	CH9X-1046	2	TORX HEAD BOLT	M4 X 0.7 X 18MM

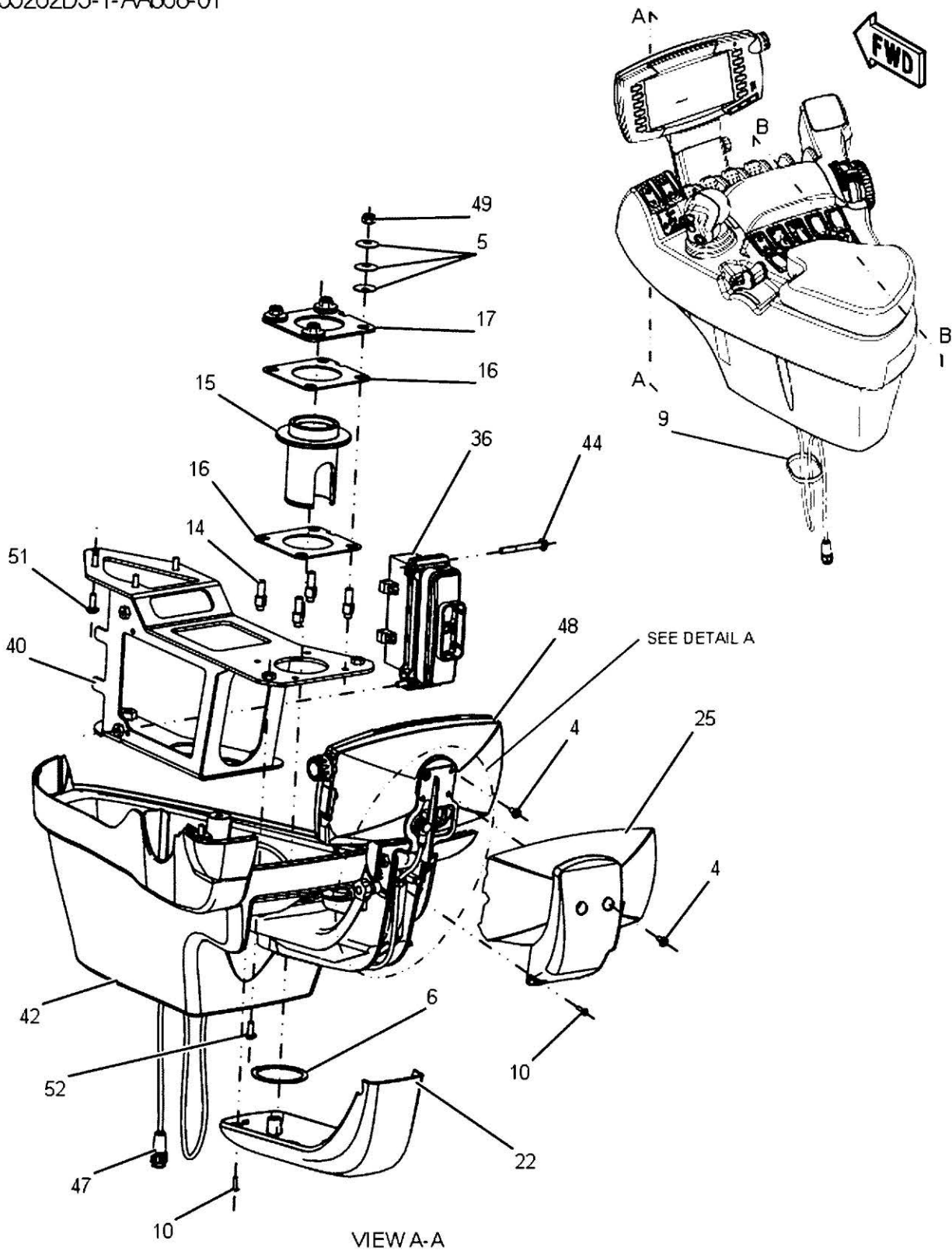
573838D1-2-



**573838D1 - DECELERATOR CONTROL GROUP**

ITEM	PART NUMBER	QTY	DESCRIPTION COMMENTS	TECHNICAL SPECIFICATION
1	136-5218	1	ACCELERATOR	
2	136-5224	1	ARM	
3	400004X1	1	HEX SOCKET HEAD BOLT	M6 X 1 X 23MM
4	529059D2	1	BRACKET ASSY.	
5	550825D1	1	POSITION SENSOR	
6	593541D1	1	LINK ROD	
7	CH095-0915	1	RETAINING RING	10.5MM ID X 1MM
8	CH116-5728	2	CLIP	5.5MM
9	CH127-2170	2	TORX HEAD BOLT	M8 X 1.25 X 20
10	CH177-0378	2	BUSHING	12MM ID X 24MM OD
11	CH214-9441	1	SPRING	
12	CH2J-6356	1	RETAINING RING	17.8MM ID X 1.07MM
13	CH4E-1251	2	BEARING SLEEVE	3/4" X 1"
14	CH8C-9660	2	FLAT WASHER	4.6MM ID X 7.9MM OD X 0.8MM
15	CH9M-1974	2	FLAT WASHER	DIAM : 8,8-16 X 2 MM
16	CH9X-1046	2	TORX HEAD BOLT	M4 X 0.7 X 18MM

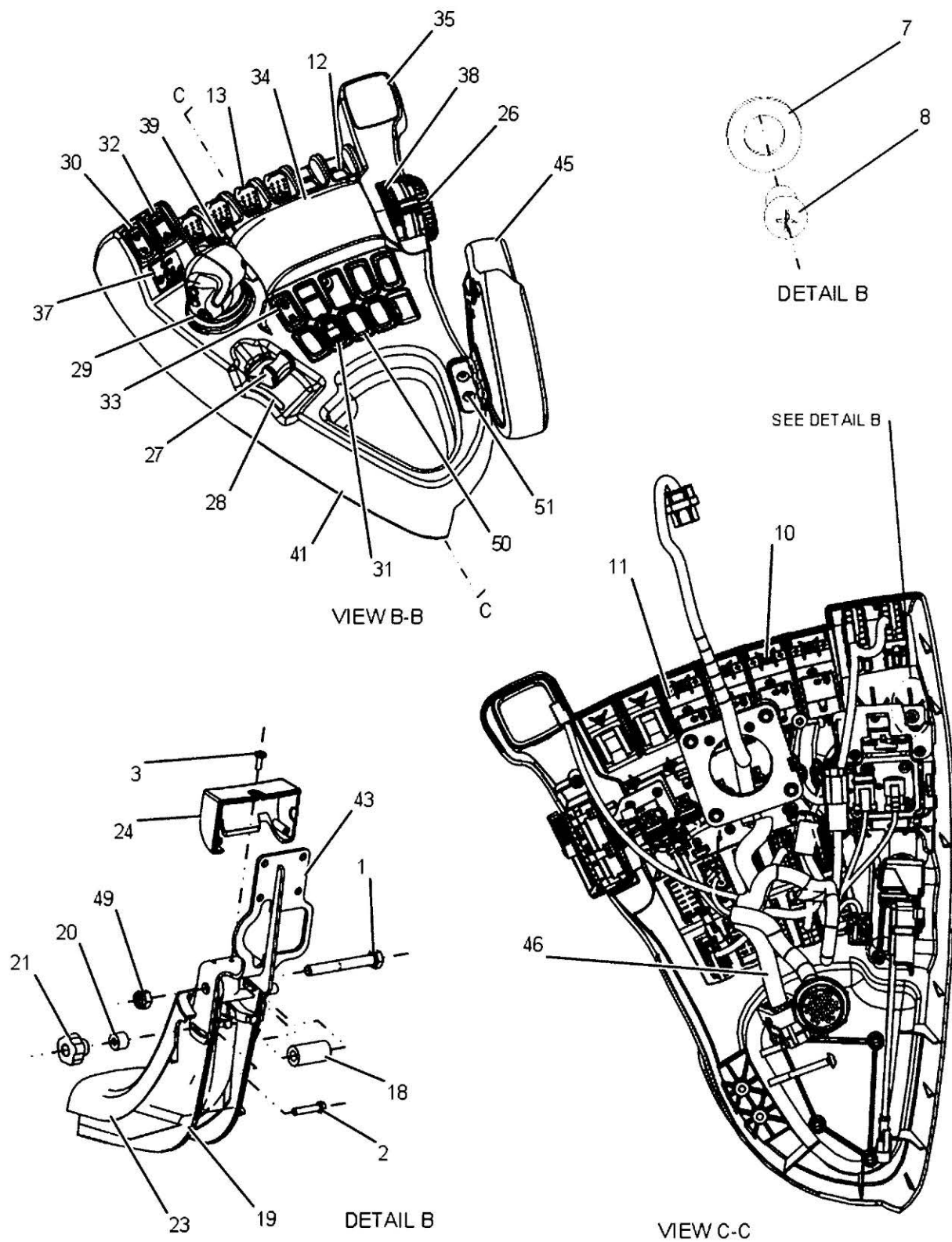
555262D3-1-AA868-01



**555262D3 - ARMREST GROUP, 4 VALVE, WITH HITCH**

ITEM	PART NUMBER	QTY	DESCRIPTION COMMENTS	TECHNICAL SPECIFICATION
	555262D3	1	ARMREST	
4	3010578X1	4	SCREW	M5 X 10 CL4.8 ZN
5	3386192M1	12	SPRING WASHER	Ø 8-26 MM
6	390542X1	1	EXTERNAL RETAINING RING	S.D.: 58MM - STEEL - PH
9	402294X1	1	CABLE TIE	390MM X 7.6MM
10	4271132M1	30	SCREW	M3,5 X 14
14	4290801M1	4	STUD BOLT	
15	4294356M2	1	CLEVIS PIN	
16	4294357M2	2	FRICTION PLATE	
17	4294358M3	1	TIE PLATE	
22	4295562M92	1	ENVELOPE	
25	4295565M94	1	REAR COVER	
36	521917D1	1	CONTROL MODULE	
40	528035D1	1	BRACKET	
42	528575D1	1	CONSOLE	
44	528861D1	2	HEX SOCKET BUTTON HEAD BOLT	M6 X 1 X 60MM
47	555158D1	1	CABLE	A5
48	ACZ0003010	1	CONSOLE	C1000
49	CH131-3540	5	HEX LOCKNUT	M8 X 1.25
51	CH207-2021	6	ROUND HEAD SCREW	K70-3.14
52	CH9X-2044	5	TORX HEAD SCREW	M6 X 1 X 16MM, T30

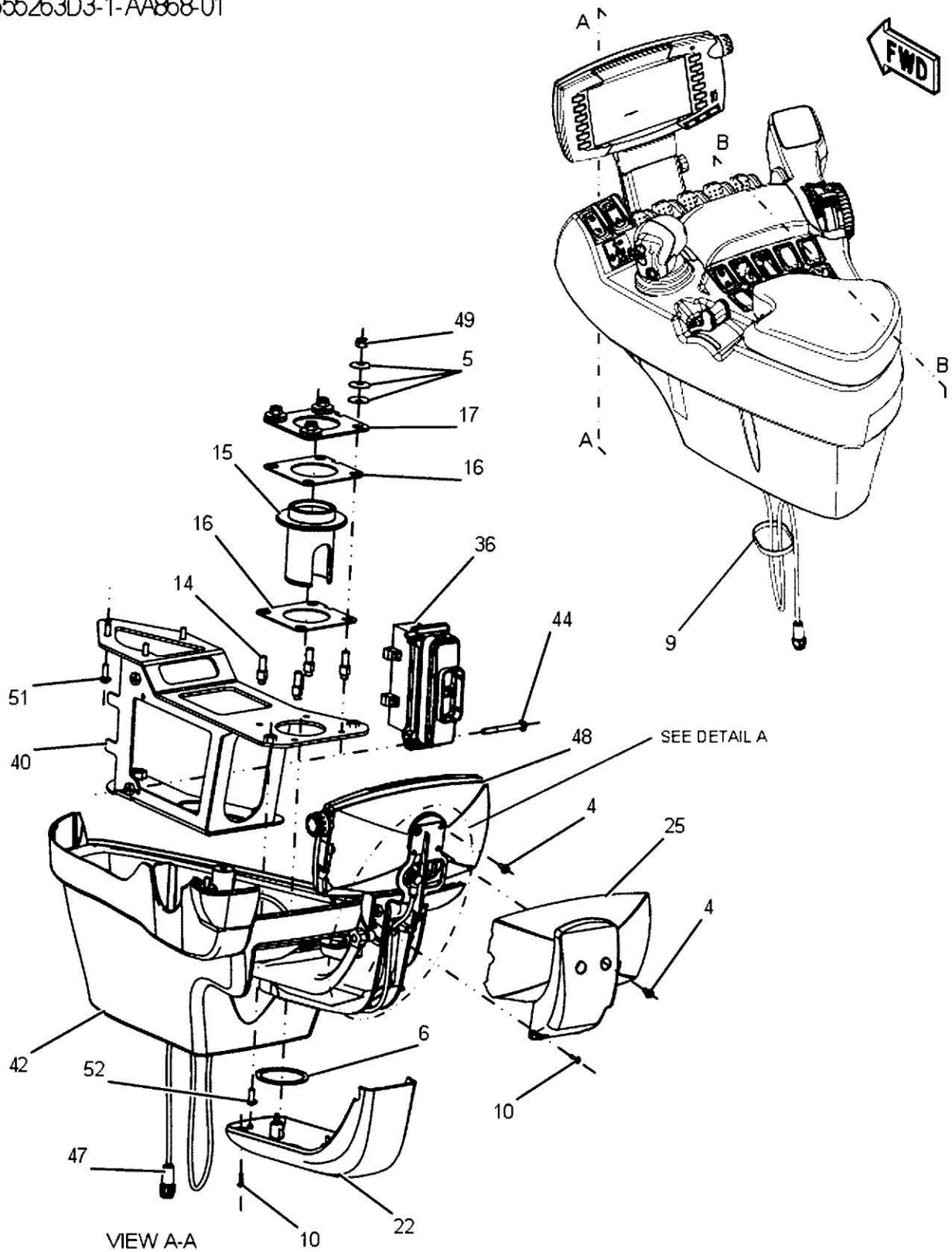
555262D3-1-AA868-02



**555262D3 - ARMREST GROUP, 4 VALVE, WITH HITCH**

ITEM	PART NUMBER	QTY	DESCRIPTION COMMENTS	TECHNICAL SPECIFICATION
1	WR55041	1	HEXAGONAL HEAD BOLT	M8 X 1.25 X 65MM, CL8.8
2	AG522245	1	HEXAGONAL HEAD BOLT	M5 X .08 X 25MM, SS
3	3010559X1	1	SCREW	M4 X 16 CL4.8 ZN
7	400310X1	2	FLAT WASHER	6.6MM ID X 12MM OD X 2MM
8	400836X1	2	PAN HEAD MACHINE SCREW	M5 X 0.8 X 14MM
10	4271132M1	30	SCREW	M3,5 X 14
11	4288510M1	4	SUPPORT	
12	4288518M1	2	MUFF	
13	4289763M2	4	HYDRAULIC CONTROL	
18	4294370M1	1	SPACER	APPX. 8.3MM ID X16MM ODX31.8MM
19	4294432M1	1	SUPPORT	
20	4294914M1	1	SPACER	5.5MM ID X 13MM OD X 9.5MM
21	4294915M1	1	HANDWHEEL	
23	4295563M92	1	ENVELOPE	
24	4295564M92	1	FRONT COVER	
26	4297215M1	1	CONTROL KNOB	
27	4352629M92	1	THROTTLE	
28	501531D1	1	INFORMATIONAL DECAL	
29	508325D2	1	JOYSTICK	
30	508330D1	1	ROCKER SWITCH POWER MANAGE	
31	508333D1	1	ROCKER SWITCH	
32	508334D1	1	ROCKER SWITCH	
33	508335D1	1	ENGINE A/B ROCKER SWITCH	
34	513962D1	1	PAD	
35	521650D1	1	PLUG	
37	522422D1	1	INFORMATIONAL DECAL SHIFT	
38	522423D1	1	INFORMATIONAL DECAL HITCH DEPTH	
39	522424D1	1	INFORMATIONAL DECAL FINGERTIP	
41	528574D1	1	CONSOLE	
43	528580D2	1	BRACKET	
45	532681D1	1	ARMREST PAD	
46	555101D1	1	WIRE HARNESS	
49	CH131-3540	5	HEX LOCKNUT	M8 X 1.25
50	CH165-5975	5	SWITCH COVER PLUG	
51	CH207-2021	6	ROUND HEAD SCREW	K70-3.14

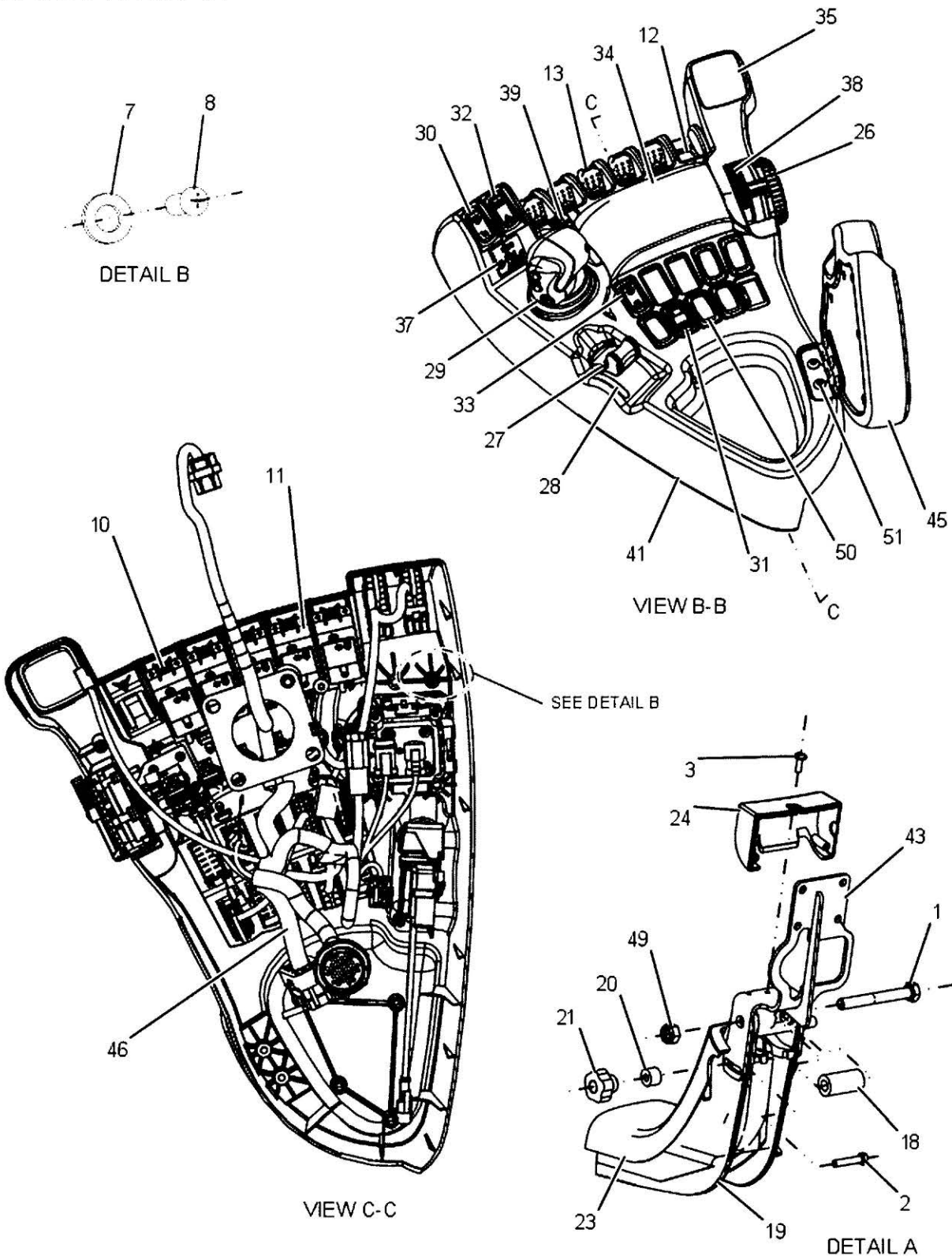
555263D3-1-AA868-01



**555263D3 - ARMREST GROUP, 5 VALVE, WITH HITCH**

ITEM	PART NUMBER	QTY	DESCRIPTION COMMENTS	TECHNICAL SPECIFICATION
4	3010578X1	4	SCREW	M5 X 10 CL4.8 ZN
5	3386192M1	12	SPRING WASHER	Ø 8-26 MM
6	390542X1	1	EXTERNAL RETAINING RING	S.D.: 58MM - STEEL - PH
9	402294X1	1	CABLE TIE	390MM X 7.6MM
10	4271132M1	34	SCREW	M3,5 X 14
14	4290801M1	4	STUD BOLT	
15	4294356M2	1	CLEVIS PIN	
16	4294357M2	2	FRICTION PLATE	
17	4294358M3	1	TIE PLATE	
22	4295562M92	1	ENVELOPE	
25	4295565M94	1	REAR COVER	
36	521917D1	1	CONTROL MODULE	
40	528035D1	1	BRACKET	
42	528575D1	1	CONSOLE	
44	528861D1	2	HEX SOCKET BUTTON HEAD BOLT	M6 X 1 X 60MM
47	555158D1	1	CABLE	A5
48	ACZ0003010	1	CONSOLE	C1000
49	CH131-3540	5	HEX LOCKNUT	M8 X 1.25
51	CH207-2021	6	ROUND HEAD SCREW	K70-3.14
52	CH9X-2044	5	TORX HEAD SCREW	M6 X 1 X 16MM, T30

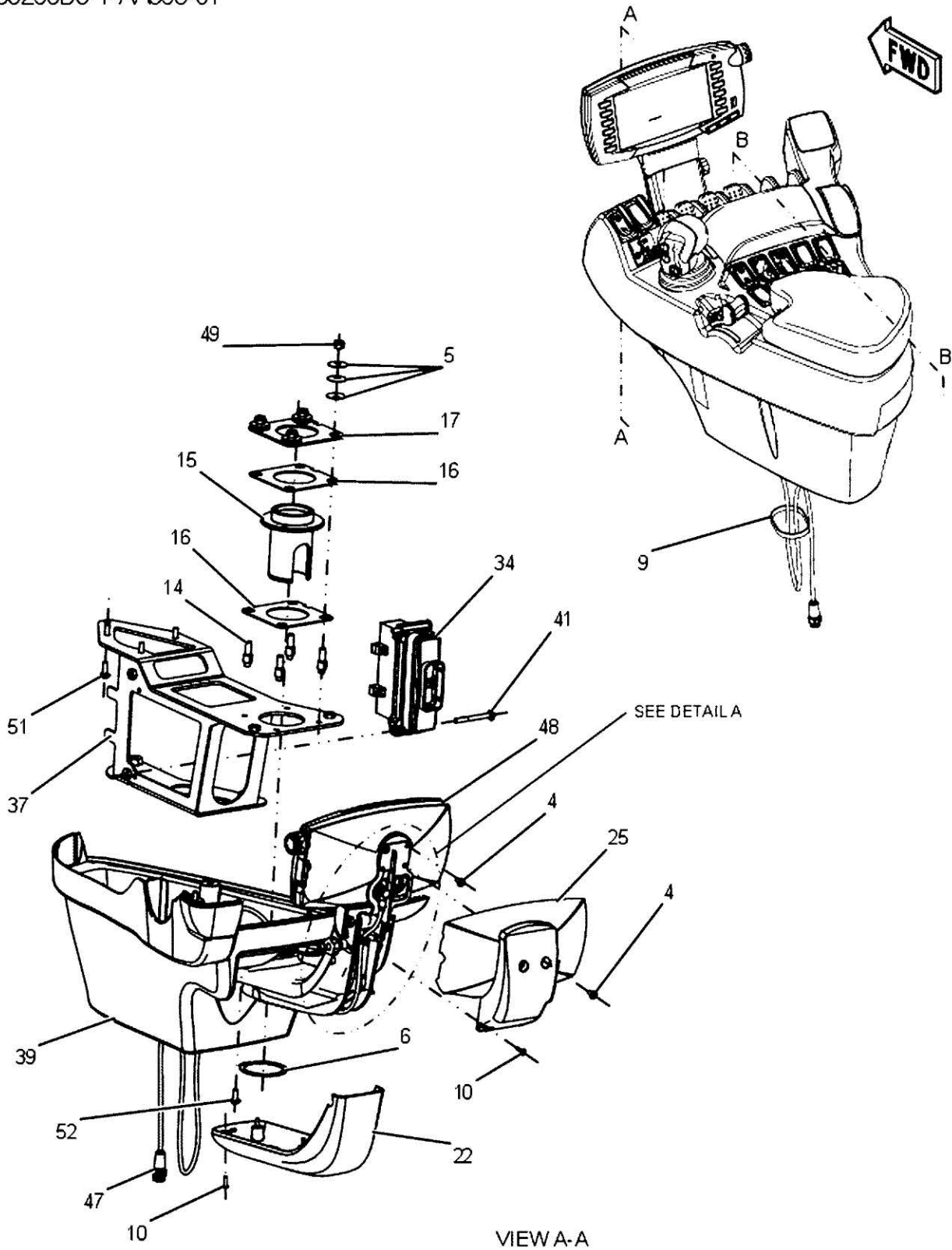
555263D3-1-AA868-02



**555263D3 - ARMREST GROUP, 5 VALVE, WITH HITCH**

ITEM	PART NUMBER	QTY	DESCRIPTION COMMENTS	TECHNICAL SPECIFICATION
1	WR55041	1	HEXAGONAL HEAD BOLT	M8 X 1.25 X 65MM, CL8.8
2	AG522245	1	HEXAGONAL HEAD BOLT	M5 X .08 X 25MM, SS
3	3010559X1	1	SCREW	M4 X 16 CL4.8 ZN
7	400310X1	2	FLAT WASHER	6.6MM ID X 12MM OD X 2MM
8	400836X1	2	PAN HEAD MACHINE SCREW	M5 X 0.8 X 14MM
10	4271132M1	34	SCREW	M3,5 X 14
11	4288510M1	5	SUPPORT	
12	4288518M1	1	MUFF	
13	4289763M2	5	HYDRAULIC CONTROL	
18	4294370M1	1	SPACER	APPX. 8.3MM ID X16MM ODX31.8MM
19	4294432M1	1	SUPPORT	
20	4294914M1	1	SPACER	5.5MM ID X 13MM OD X 9.5MM
21	4294915M1	1	HANDWHEEL	
23	4295563M92	1	ENVELOPE	
24	4295564M92	1	FRONT COVER	
26	4297215M1	1	CONTROL KNOB	
27	NS	1	NON-SERVICEABLE PART	
28	501531D1	1	INFORMATIONAL DECAL	
29	508325D2	1	JOYSTICK	
30	508330D1	1	ROCKER SWITCH POWER MANAGE	
31	508333D1	1	ROCKER SWITCH	
32	508334D1	1	ROCKER SWITCH	
33	508335D1	1	ENGINE A/B ROCKER SWITCH	
34	513962D1	1	PAD	
35	521650D1	1	PLUG	
37	522422D1	1	INFORMATIONAL DECAL SHIFT	
38	522423D1	1	INFORMATIONAL DECAL HITCH DEPTH	
39	522424D1	1	INFORMATIONAL DECAL FINGERTIP	
41	528574D1	1	CONSOLE	
43	528580D2	1	BRACKET	
45	532681D1	1	ARMREST PAD	
46	555101D1	1	WIRE HARNESS	
49	CH131-3540	5	HEX LOCKNUT	M8 X 1.25
50	CH165-5975	5	SWITCH COVER PLUG	
51	CH207-2021	6	ROUND HEAD SCREW	K70-3.14

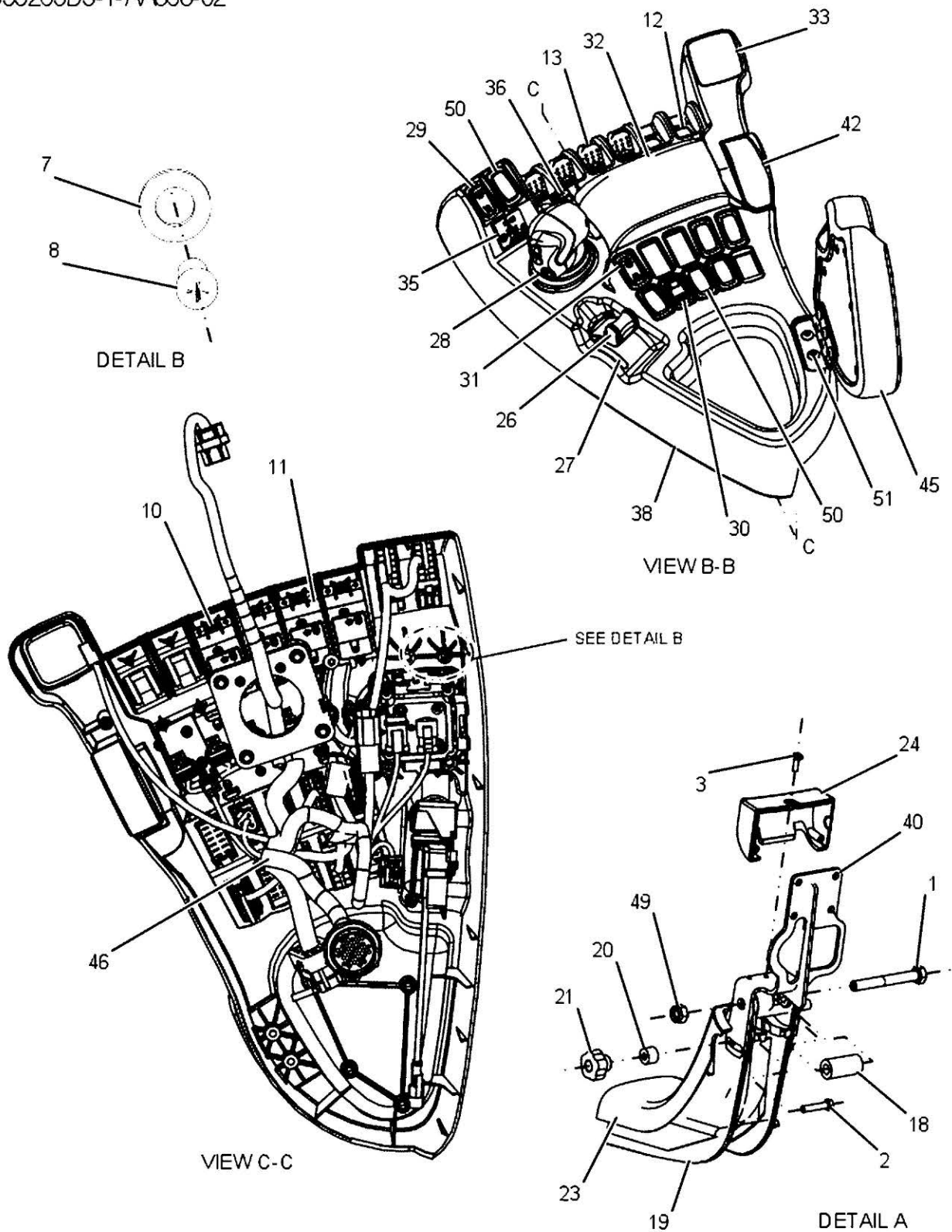
555265D3-1-AA868-01



**555265D3 - ARMREST GROUP, 4 VALVE, WITHOUT HITCH**

ITEM	PART NUMBER	QTY	DESCRIPTION COMMENTS	TECHNICAL SPECIFICATION
	555265D3	1	ARMREST	
4	3010578X1	4	SCREW	M5 X 10 CL4.8 ZN
5	3386192M1	12	SPRING WASHER	Ø 8-26 MM
6	390542X1	1	EXTERNAL RETAINING RING	S.D.: 58MM - STEEL - PH
9	402294X1	1	CABLE TIE	390MM X 7.6MM
10	4271132M1	27	SCREW	M3,5 X 14
14	4290801M1	4	STUD BOLT	
15	4294356M2	1	CLEVIS PIN	
16	4294357M2	2	FRICTION PLATE	
17	4294358M3	1	TIE PLATE	
22	4295562M92	1	ENVELOPE	
25	4295565M94	1	REAR COVER	
34	521917D1	1	CONTROL MODULE	
37	528035D1	1	BRACKET	
39	528575D1	1	CONSOLE	
41	528861D1	2	HEX SOCKET BUTTON HEAD BOLT	M6 X 1 X 60MM
47	555158D1	1	CABLE	A5
48	ACZ0003010	1	CONSOLE	C1000
49	CH131-3540	5	HEX LOCKNUT	M8 X 1.25
51	CH207-2021	6	ROUND HEAD SCREW	K70-3.14
52	CH9X-2044	5	TORX HEAD SCREW	M6 X 1 X 16MM, T30

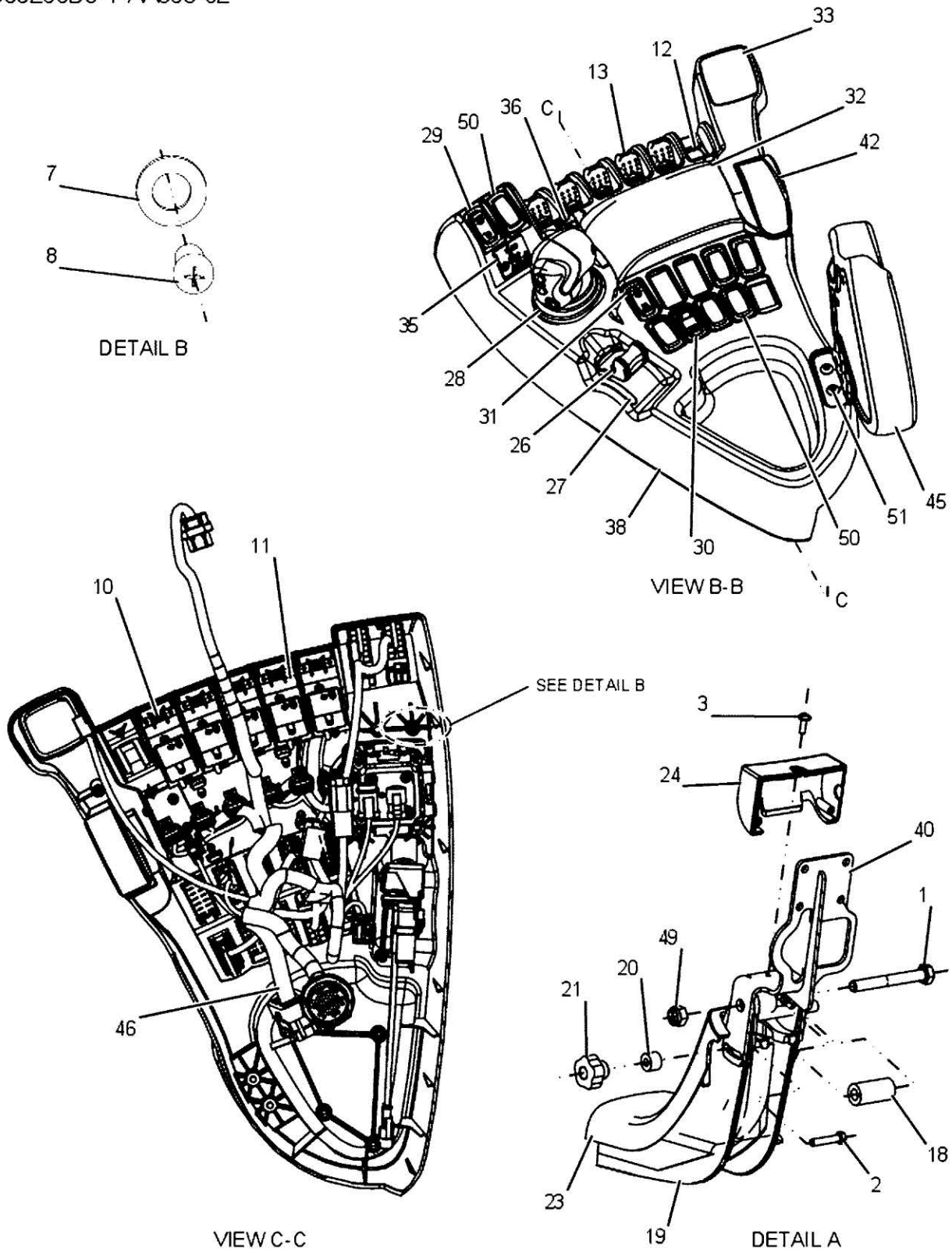
555265D3-1-AA868-02



**555265D3 - ARMREST GROUP, 4 VALVE, WITHOUT HITCH**

ITEM	PART NUMBER	QTY	DESCRIPTION COMMENTS	TECHNICAL SPECIFICATION
1	WR55041	1	HEXAGONAL HEAD BOLT	M8 X 1.25 X 65MM, CL8.8
2	AG522245	1	HEXAGONAL HEAD BOLT	M5 X .08 X 25MM, SS
3	3010559X1	1	SCREW	M4 X 16 CL4.8 ZN
7	400310X1	2	FLAT WASHER	6.6MM ID X 12MM OD X 2MM
8	400836X1	2	PAN HEAD MACHINE SCREW	M5 X 0.8 X 14MM
10	4271132M1	27	SCREW	M3,5 X 14
11	4288510M1	4	SUPPORT	
12	4288518M1	2	MUFF	
13	4289763M2	4	HYDRAULIC CONTROL	
18	4294370M1	1	SPACER	APPX. 8.3MM ID X16MM ODX31.8MM
19	4294432M1	1	SUPPORT	
20	4294914M1	1	SPACER	5.5MM ID X 13MM OD X 9.5MM
21	4294915M1	1	HANDWHEEL	
23	4295563M92	1	ENVELOPE	
24	4295564M92	1	FRONT COVER	
26	4352629M92	1	THROTTLE	
27	501531D1	1	INFORMATIONAL DECAL	
28	508325D2	1	JOYSTICK	
29	508330D1	1	ROCKER SWITCH POWER MANAGE	
30	508333D1	1	ROCKER SWITCH	
31	508335D1	1	ENGINE A/B ROCKER SWITCH	
32	513962D1	1	PAD	
33	521650D1	1	PLUG	
35	522422D1	1	INFORMATIONAL DECAL SHIFT	
36	522424D1	1	INFORMATIONAL DECAL FINGERTIP	
38	528574D1	1	CONSOLE	
40	528580D2	1	BRACKET	
42	529146D1	1	PLUG	ARMREST
45	532681D1	1	ARMREST PAD	
46	555101D1	1	WIRE HARNESS	
49	CH131-3540	5	HEX LOCKNUT	M8 X 1.25
50	CH165-5975	6	SWITCH COVER PLUG	
51	CH207-2021	6	ROUND HEAD SCREW	K70-3.14

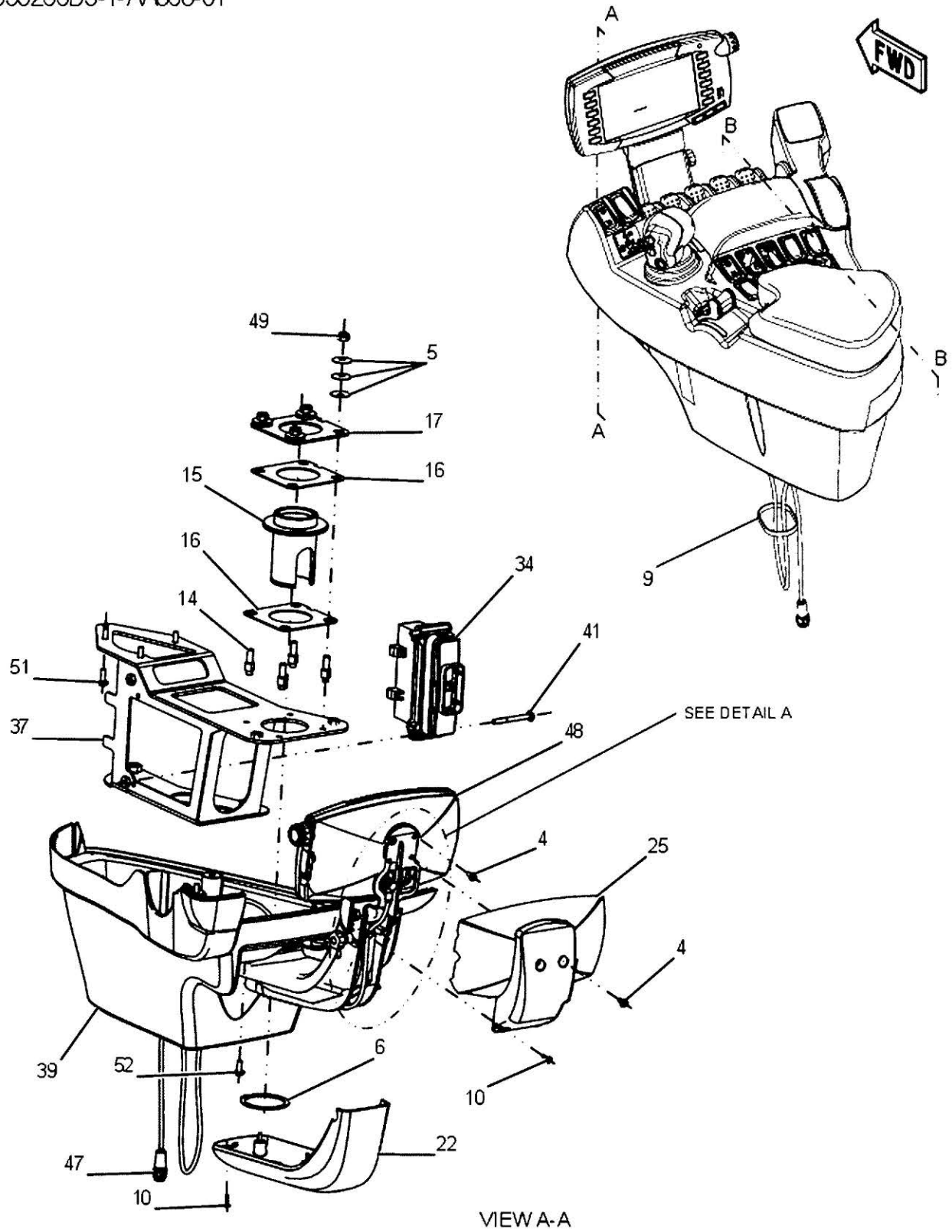
555266D3-1-AA868-02



**555266D3 - ARMREST GROUP, 5 VALVE, WITHOUT HITCH**

ITEM	PART NUMBER	QTY	DESCRIPTION COMMENTS	TECHNICAL SPECIFICATION
1	WR55041	1	HEXAGONAL HEAD BOLT	M8 X 1.25 X 65MM, CL8.8
2	AG522245	1	HEXAGONAL HEAD BOLT	M5 X .08 X 25MM, SS
3	3010559X1	1	SCREW	M4 X 16 CL4.8 ZN
7	400310X1	2	FLAT WASHER	6.6MM ID X 12MM OD X 2MM
8	400836X1	2	PAN HEAD MACHINE SCREW	M5 X 0.8 X 14MM
10	4271132M1	31	SCREW	M3,5 X 14
11	4288510M1	5	SUPPORT	
12	4288518M1	1	MUFF	
13	4289763M2	5	HYDRAULIC CONTROL	
18	4294370M1	1	SPACER	APPX. 8.3MM ID X16MM ODX31.8MM
19	4294432M1	1	SUPPORT	
20	4294914M1	1	SPACER	5.5MM ID X 13MM OD X 9.5MM
21	4294915M1	1	HANDWHEEL	
23	4295563M92	1	ENVELOPE	
24	4295564M92	1	FRONT COVER	
26	4352629M92	1	THROTTLE	
27	501531D1	1	INFORMATIONAL DECAL	
28	508325D2	1	JOYSTICK SEE PAGE 10-0023	
30	508333D1	1	ROCKER SWITCH	
32	513962D1	1	PAD	
33	521650D1	1	PLUG	
35	522422D1	1	INFORMATIONAL DECAL SHIFT	
36	522424D1	1	INFORMATIONAL DECAL FINGERTIP	
38	528574D1	1	CONSOLE	
40	528580D2	1	BRACKET	
42	529146D1	1	PLUG	ARMREST
45	532681D1	1	ARMREST PAD	
46	555101D1	1	WIRE HARNESS	
49	CH131-3540	5	HEX LOCKNUT	M8 X 1.25
50	CH165-5975	6	SWITCH COVER PLUG	
51	CH207-2021	6	ROUND HEAD SCREW	K70-3.14

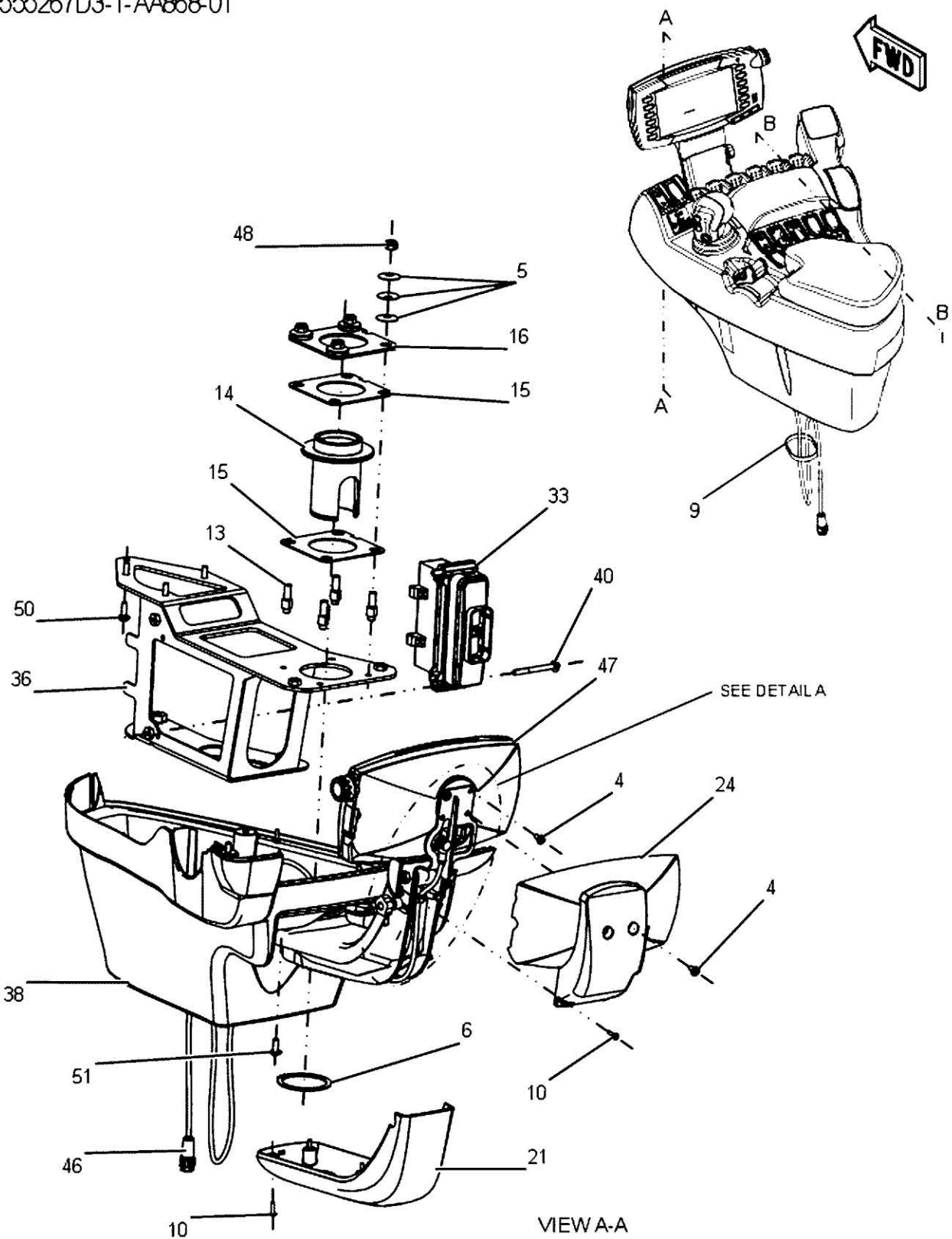
555266D3-1-AA868-01



**555266D3 - ARMREST GROUP, 5 VALVE, WITHOUT HITCH**

ITEM	PART NUMBER	QTY	DESCRIPTION COMMENTS	TECHNICAL SPECIFICATION
	555266D3	1	ARMREST	GP, 5 VALVE, W/O HITCH
4	3010578X1	4	SCREW	M5 X 10 CL4.8 ZN
5	3386192M1	12	SPRING WASHER	Ø 8-26 MM
6	390542X1	1	EXTERNAL RETAINING RING	S.D.: 58MM - STEEL - PH
9	402294X1	1	CABLE TIE	390MM X 7.6MM
10	4271132M1	31	SCREW	M3,5 X 14
14	4290801M1	4	STUD BOLT	
15	4294356M2	1	CLEVIS PIN	
16	4294357M2	2	FRICTION PLATE	
17	4294358M3	1	TIE PLATE	
22	4295562M92	1	ENVELOPE	
25	4295565M94	1	REAR COVER	
34	521917D1	1	CONTROL MODULE	
37	528035D1	1	BRACKET	
39	528575D1	1	CONSOLE	
41	528861D1	2	HEX SOCKET BUTTON HEAD BOLT	M6 X 1 X 60MM
47	555158D1	1	CABLE	A5
48	ACZ0003010	1	CONSOLE	C1000
49	CH131-3540	5	HEX LOCKNUT	M8 X 1.25
51	CH207-2021	6	ROUND HEAD SCREW	K70-3.14
52	CH9X-2044	5	TORX HEAD SCREW	M6 X 1 X 16MM, T30

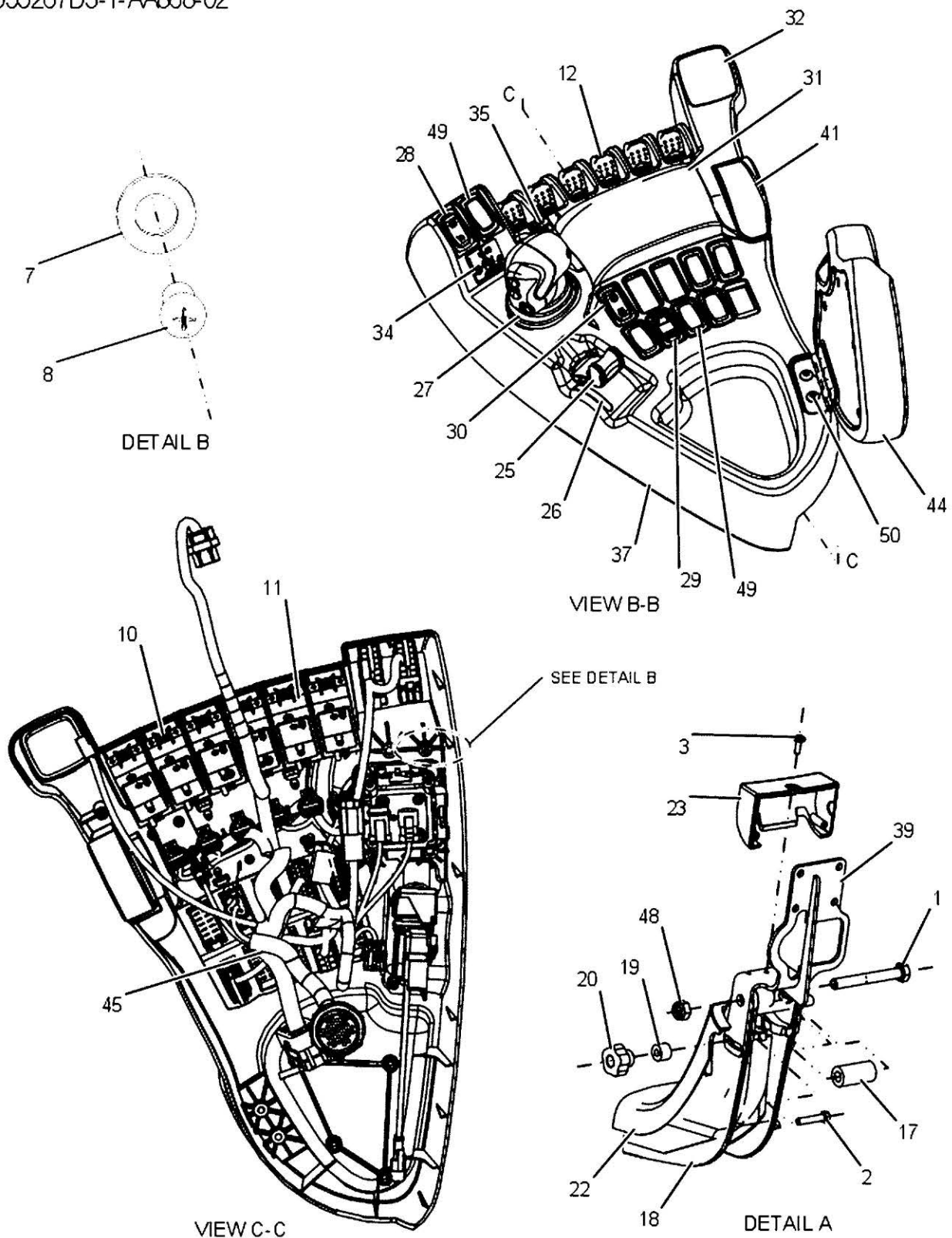
555267D3-1-AA868-01



**555267D3 - ARMREST GROUP, 6 VALVE, WITHOUT HITCH**

ITEM	PART NUMBER	QTY	DESCRIPTION COMMENTS	TECHNICAL SPECIFICATION
	555267D3	1	ARMREST	
4	3010578X1	4	SCREW	M5 X 10 CL4.8 ZN
5	3386192M1	12	SPRING WASHER	Ø 8-26 MM
6	390542X1	1	EXTERNAL RETAINING RING	S.D.: 58MM - STEEL - PH
9	402294X1	1	CABLE TIE	390MM X 7.6MM
10	4271132M1	35	SCREW	M3,5 X 14
13	4290801M1	4	STUD BOLT	
14	4294356M2	1	CLEVIS PIN	
15	4294357M2	2	FRICTION PLATE	
16	4294358M3	1	TIE PLATE	
21	4295562M92	1	ENVELOPE	
24	4295565M94	1	REAR COVER	
33	521917D1	1	CONTROL MODULE SEE PAGE 09-0017	
36	528035D1	1	BRACKET	
38	528575D1	1	CONSOLE	
40	528861D1	2	HEX SOCKET BUTTON HEAD BOLT	M6 X 1 X 60MM
46	555158D1	1	CABLE	A5
47	ACZ0003010	1	CONSOLE	C1000
48	CH131-3540	5	HEX LOCKNUT	M8 X 1.25
50	CH207-2021	6	ROUND HEAD SCREW	K70-3.14
51	CH9X-2044	5	TORX HEAD SCREW	M6 X 1 X 16MM, T30

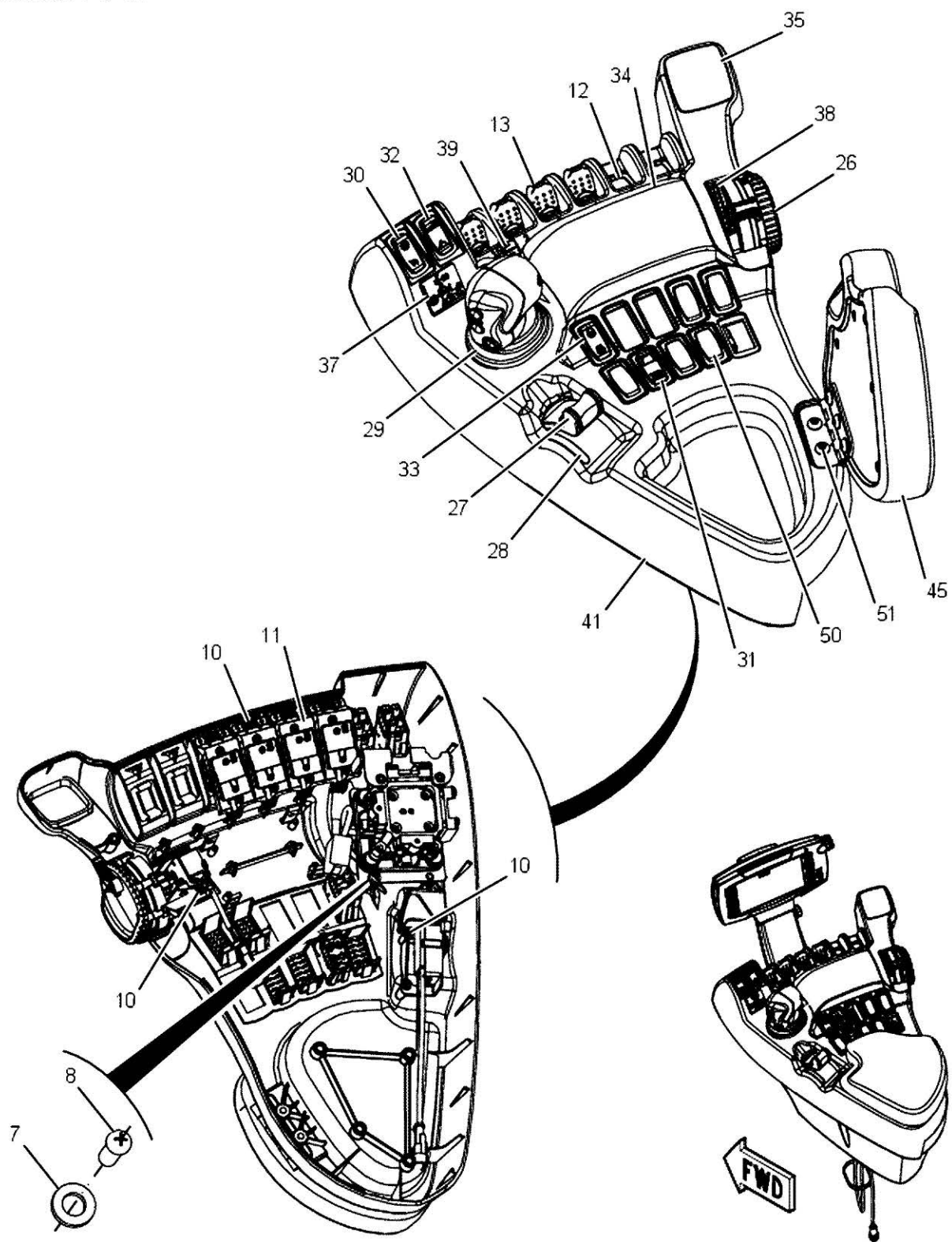
555267D3-1-AA868-02



**555267D3 - ARMREST GROUP, 6 VALVE, WITHOUT HITCH**

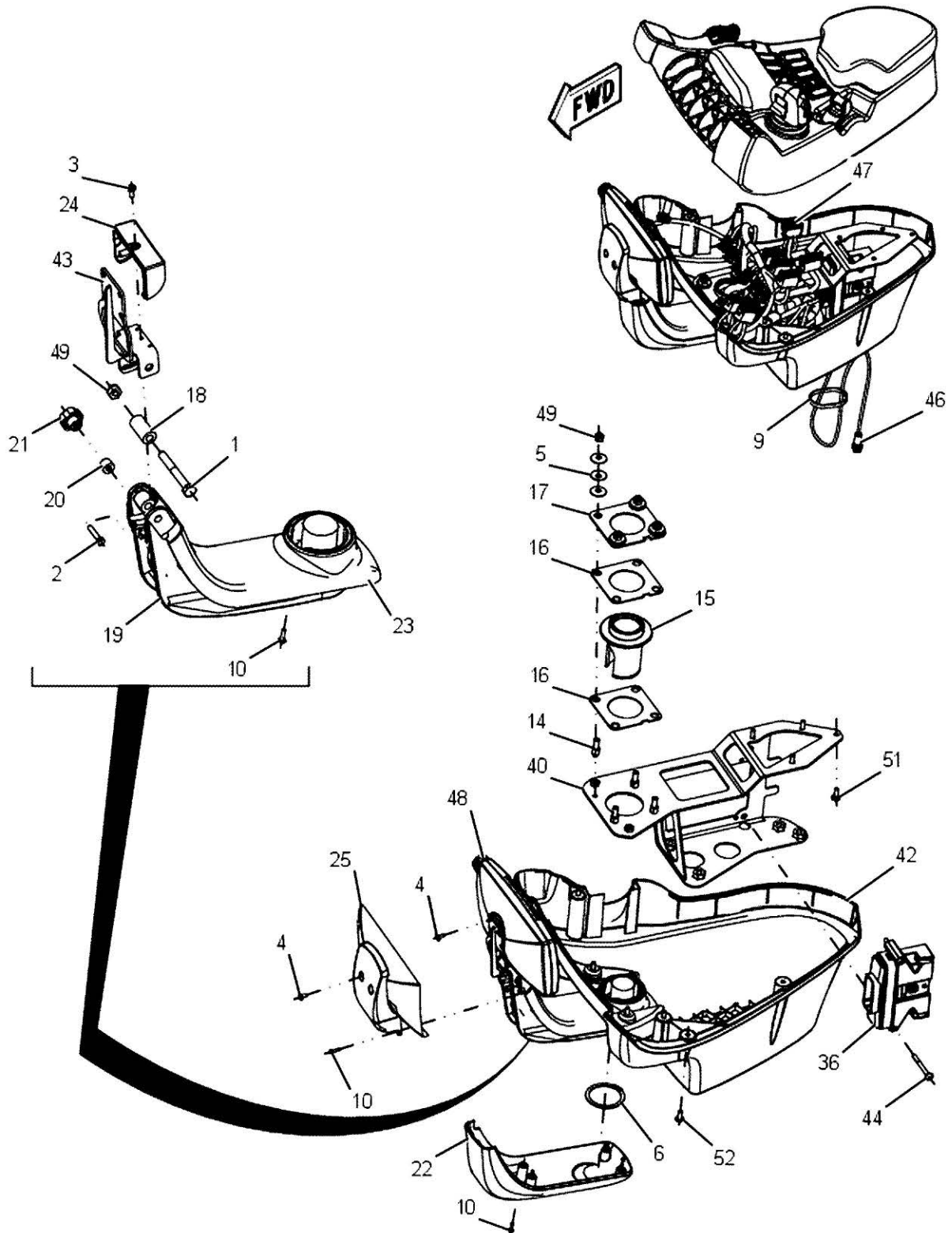
ITEM	PART NUMBER	QTY	DESCRIPTION COMMENTS	TECHNICAL SPECIFICATION
1	WR55041	1	HEXAGONAL HEAD BOLT	M8 X 1.25 X 65MM, CL8.8
2	AG522245	1	HEXAGONAL HEAD BOLT	M5 X .08 X 25MM, SS
3	3010559X1	1	SCREW	M4 X 16 CL4.8 ZN
7	400310X1	2	FLAT WASHER	6.6MM ID X 12MM OD X 2MM
8	400836X1	2	PAN HEAD MACHINE SCREW	M5 X 0.8 X 14MM
10	4271132M1	35	SCREW	M3,5 X 14
11	4288510M1	6	SUPPORT	
12	4289763M2	6	HYDRAULIC CONTROL	
	4290801M1	4	STUD BOLT NOT SHOWN	
17	4294370M1	1	SPACER	APPX. 8.3MM ID X16MM ODX31.8MM
18	4294432M1	1	SUPPORT	
19	4294914M1	1	SPACER	5.5MM ID X 13MM OD X 9.5MM
20	4294915M1	1	HANDWHEEL	
22	4295563M92	1	ENVELOPE	
23	4295564M92	1	FRONT COVER	
25	4352629M92	1	THROTTLE	
26	501531D1	1	INFORMATIONAL DECAL	
27	508325D2	1	JOYSTICK TRANSMISSION SHIFT HANDLE SEE PAGE 10-0023	
28	508330D1	1	ROCKER SWITCH POWER MANAGE	
29	508333D1	1	ROCKER SWITCH	
30	508335D1	1	ENGINE A/B ROCKER SWITCH	
31	513962D1	1	PAD	
32	521650D1	1	PLUG	
34	522422D1	1	INFORMATIONAL DECAL SHIFT	
35	522424D1	1	INFORMATIONAL DECAL FINGERTIP	
37	528574D1	1	CONSOLE	
39	528580D2	1	BRACKET	
41	529146D1	1	PLUG	ARMREST
44	532681D1	1	ARMREST PAD	
45	555101D1	1	WIRE HARNESS	
48	CH131-3540	5	HEX LOCKNUT	M8 X 1.25
49	CH165-5975	6	SWITCH COVER PLUG	
50	CH207-2021	6	ROUND HEAD SCREW	K70-3.14

576468D1-3-01



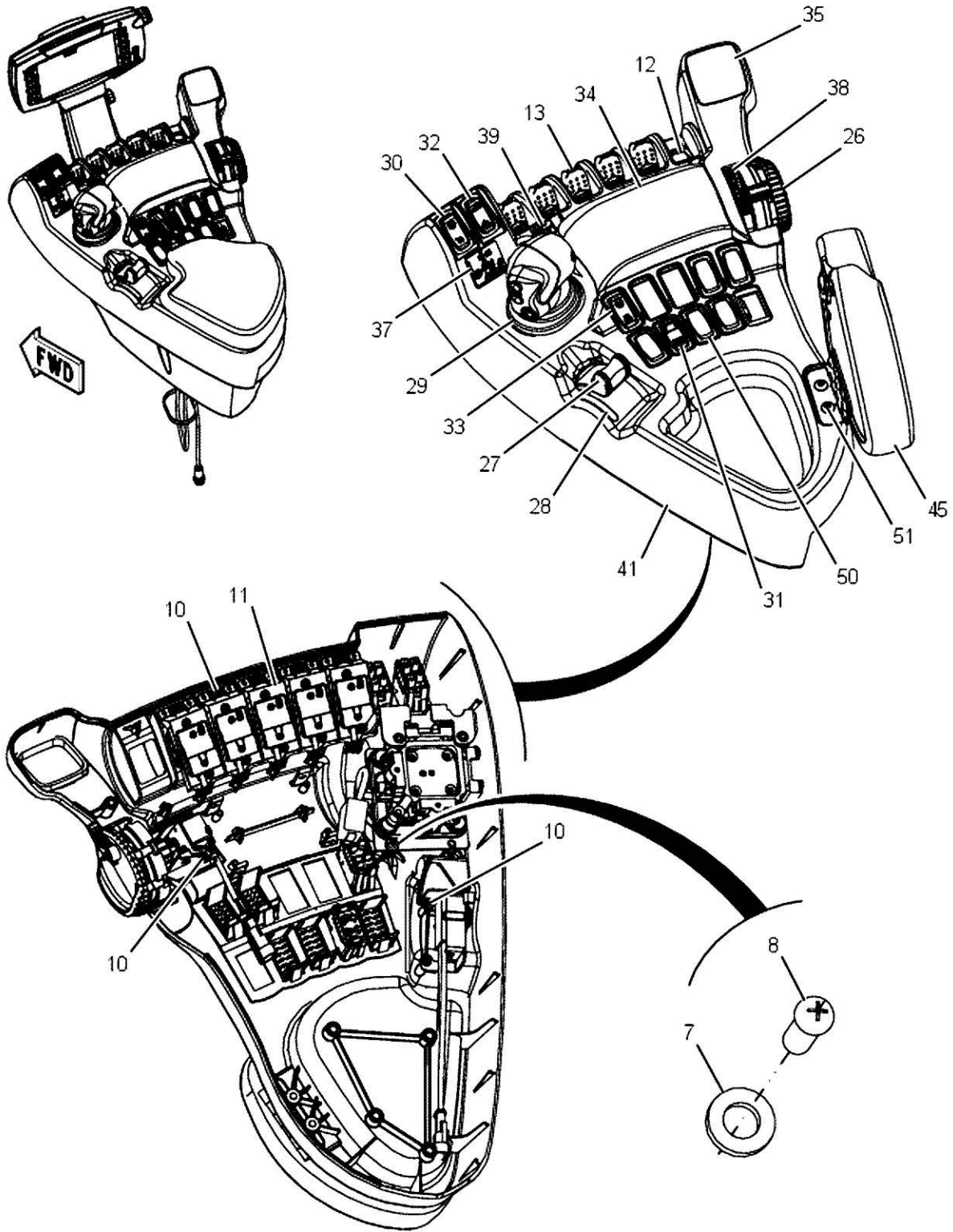
ITEM	PART NUMBER	QTY	DESCRIPTION COMMENTS	TECHNICAL SPECIFICATION
7	400310X1	2	FLAT WASHER	6.6MM ID X 12MM OD X 2MM
8	400836X1	2	PAN HEAD MACHINE SCREW	M5 X 0.8 X 14MM
10	4271132M1	30	SCREW	M3,5 X 14
11	4288510M1	4	SUPPORT	
12	4288518M1	2	MUFF	
13	4289763M2	4	HYDRAULIC CONTROL	
26	4297215M1	1	CONTROL KNOB	
27	4352629M92	1	THROTTLE	
28	501531D1	1	INFORMATIONAL DECAL THROTTLE	
29	508325D2	1	JOYSTICK	
30	508330D1	1	ROCKER SWITCH POWER MANAGE	
31	508333D1	1	ROCKER SWITCH ROADING LOCKOUT	
32	508334D1	1	ROCKER SWITCH RAISE WORK	
33	508335D1	1	ENGINE A/B ROCKER SWITCH ENGINE A/B	
34	513962D1	1	PAD	
35	521650D1	1	PLUG	
37	522422D1	1	INFORMATIONAL DECAL SHIFT	
38	522423D1	1	INFORMATIONAL DECAL HITCH DEPTH	
39	522424D1	1	INFORMATIONAL DECAL FINGERTIP	
41	528574D1	1	CONSOLE	
45	532681D1	1	ARMREST PAD	
50	CH165-5975	5	SWITCH COVER PLUG	
51	CH207-2021	6	ROUND HEAD SCREW	K70-3.14

576468D1-3-02



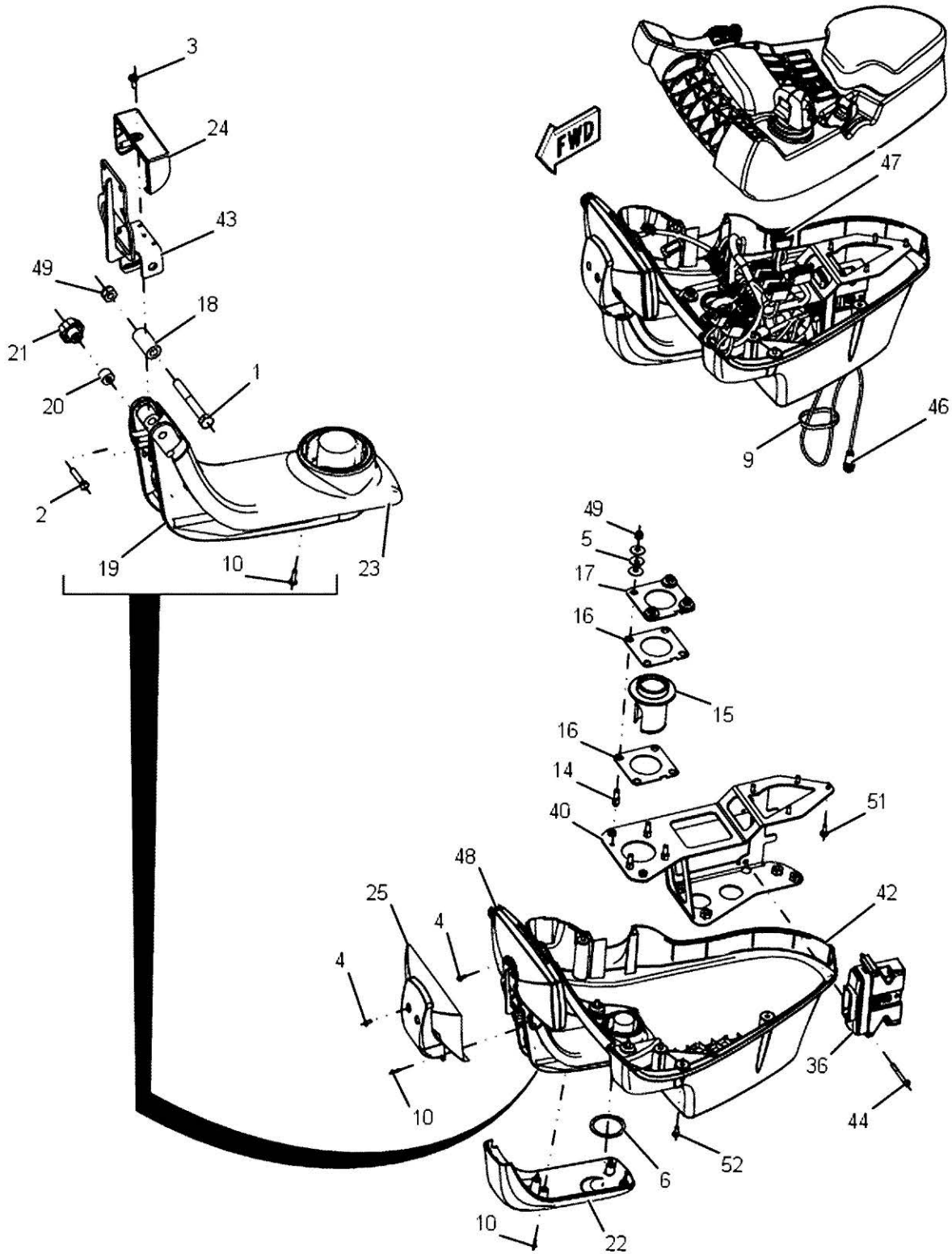
ITEM	PART NUMBER	QTY	DESCRIPTION COMMENTS	TECHNICAL SPECIFICATION
1	WR55041	1	HEXAGONAL HEAD BOLT	M8 X 1.25 X 65MM, CL8.8
2	AG522245	1	HEXAGONAL HEAD BOLT	M5 X .08 X 25MM, SS
3	3010559X1	1	SCREW	M4 X 16 CL4.8 ZN
4	3010578X1	4	SCREW	M5 X 10 CL4.8 ZN
5	3386192M1	12	SPRING WASHER	Ø 8-26 MM
6	390542X1	1	EXTERNAL RETAINING RING	S.D.: 58MM - STEEL - PH
9	402294X1	1	CABLE TIE	390MM X 7.6MM
10	4271132M1	30	SCREW	M3,5 X 14
14	4290801M1	4	STUD BOLT	
15	4294356M2	1	CLEVIS PIN	
16	4294357M2	2	FRICTION PLATE	
17	4294358M3	1	TIE PLATE	
18	4294370M1	1	SPACER	APPX. 8.3MM ID X16MM ODX31.8MM
19	4294432M1	1	SUPPORT	
20	4294914M1	1	SPACER	5.5MM ID X 13MM OD X 9.5MM
21	4294915M1	1	HANDWHEEL	
22	4295562M92	1	ENVELOPE	
23	4295563M92	1	ENVELOPE	
24	4295564M92	1	FRONT COVER	
25	4295565M94	1	REAR COVER	
36	521917D1	1	CONTROL MODULE	
40	528035D1	1	BRACKET	
42	528575D1	1	CONSOLE	
43	528580D2	1	BRACKET	
44	528861D1	2	HEX SOCKET BUTTON HEAD BOLT	M6 X 1 X 60MM
46	555158D1	1	CABLE	A5
47	574621D2	1	WIRE HARNESS	ARMREST
48	ACZ0003010	1	CONSOLE	C1000
49	CH131-3540	5	HEX LOCKNUT	M8 X 1.25
51	CH207-2021	6	ROUND HEAD SCREW	K70-3.14
52	CH9X-2044	5	TORX HEAD SCREW	M6 X 1 X 16MM, T30

576469D1-3-01



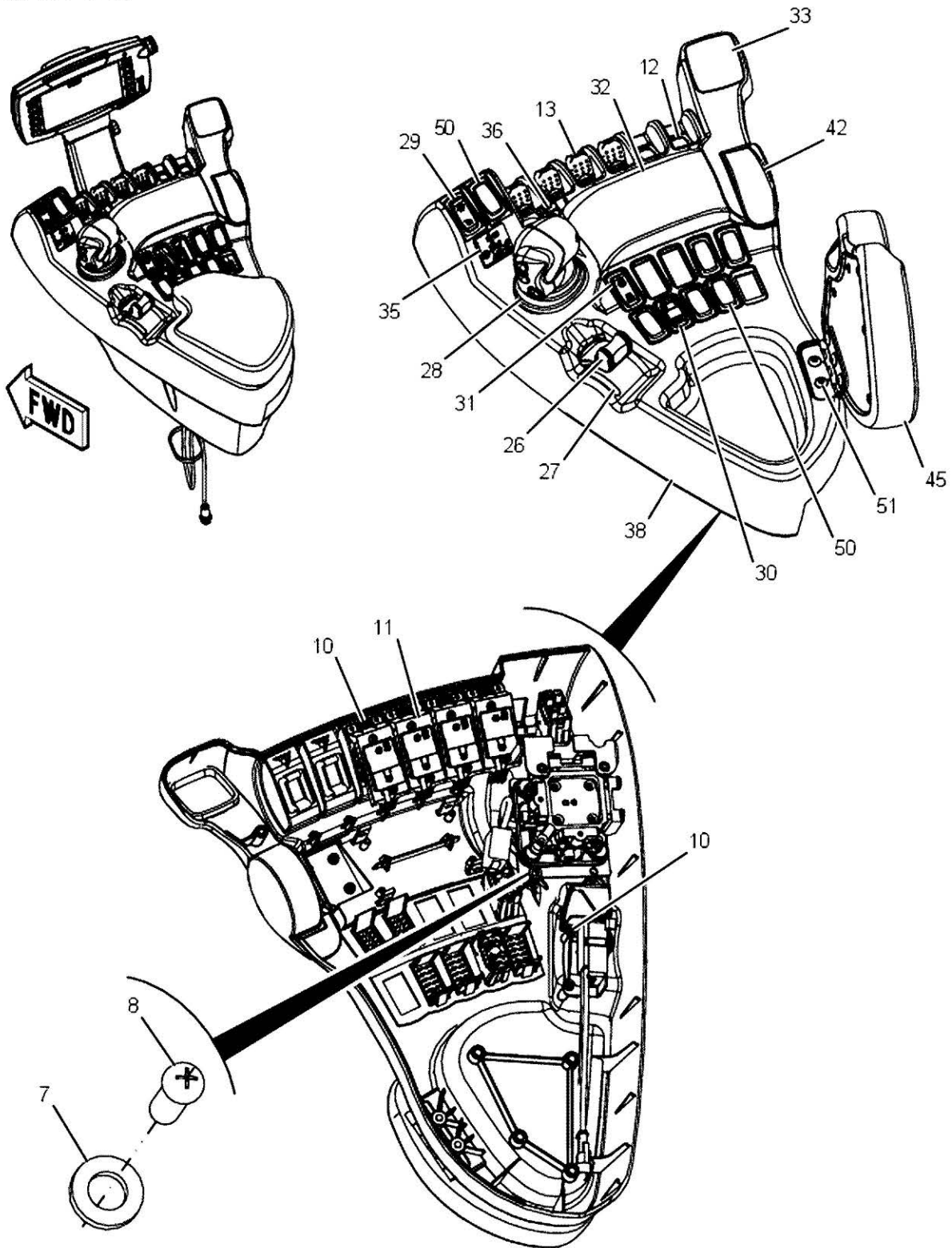
ITEM	PART NUMBER	QTY	DESCRIPTION COMMENTS	TECHNICAL SPECIFICATION
7	400310X1	2	FLAT WASHER	6.6MM ID X 12MM OD X 2MM
8	400836X1	2	PAN HEAD MACHINE SCREW	M5 X 0.8 X 14MM
10	4271132M1	34	SCREW	M3,5 X 14
11	4288510M1	5	SUPPORT	
12	4288518M1	1	MUFF	
13	4289763M2	5	HYDRAULIC CONTROL	
26	4297215M1	1	CONTROL KNOB	
27	4352629M92	1	THROTTLE	
28	501531D1	1	INFORMATIONAL DECAL THROTTLE	
29	508325D2	1	JOYSTICK	
30	508330D1	1	ROCKER SWITCH POWER MANAGEMENT	
31	508333D1	1	ROCKER SWITCH ROADING LOCKOUT	
32	508334D1	1	ROCKER SWITCH RAISE / WORK	
33	508335D1	1	ENGINE A/B ROCKER SWITCH ENGINE A / B	
34	513962D1	1	PAD	
35	521650D1	1	PLUG	
37	522422D1	1	INFORMATIONAL DECAL SHIFT	
38	522423D1	1	INFORMATIONAL DECAL HITCH DEPTH	
39	522424D1	1	INFORMATIONAL DECAL FINGERTIP	
41	528574D1	1	CONSOLE	
45	532681D1	1	ARMREST PAD	
50	CH165-5975	5	SWITCH COVER PLUG	
51	CH207-2021	6	ROUND HEAD SCREW	K70-3.14

576469D1-3-02



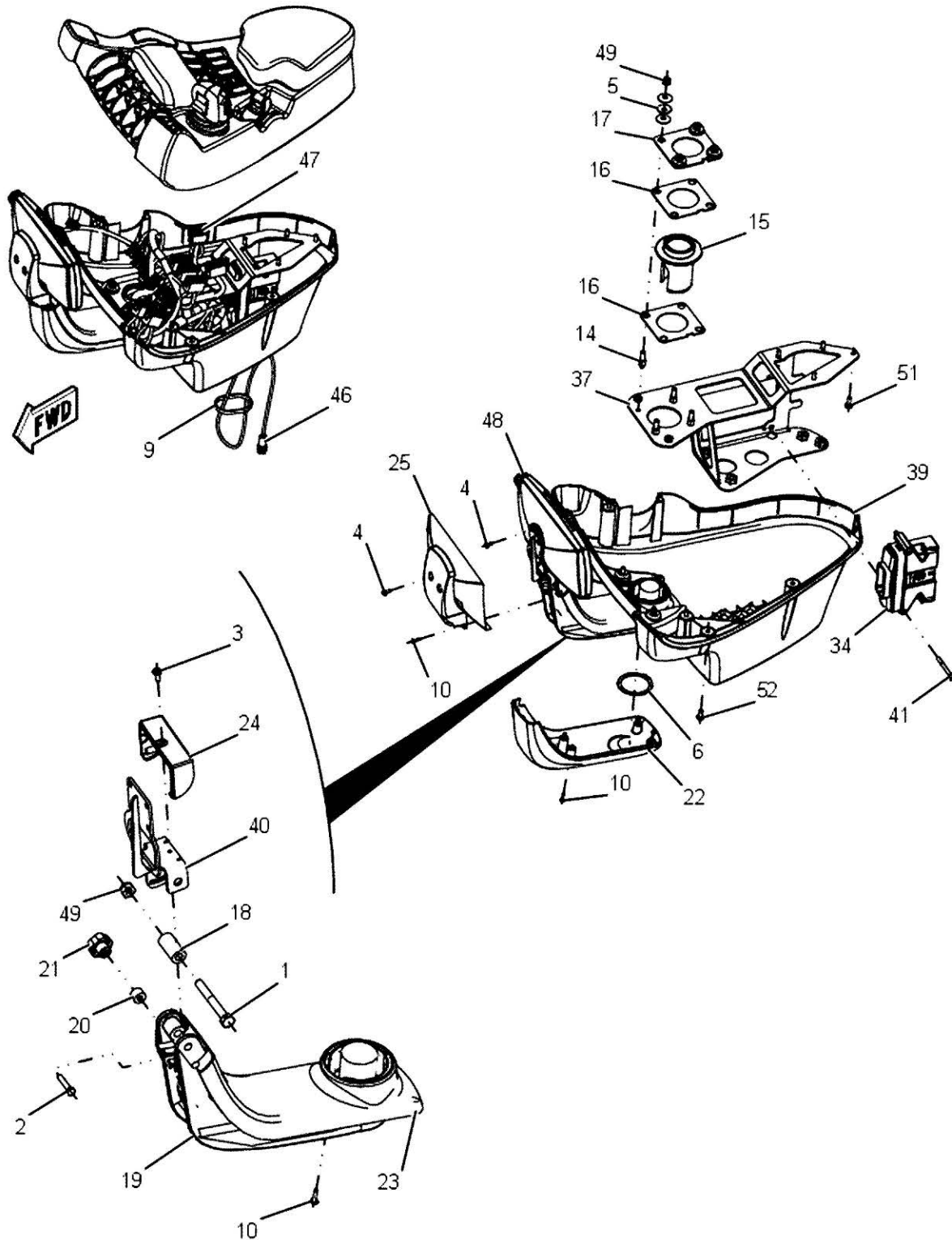
ITEM	PART NUMBER	QTY	DESCRIPTION COMMENTS	TECHNICAL SPECIFICATION
1	WR55041	1	HEXAGONAL HEAD BOLT	M8 X 1.25 X 65MM, CL8.8
2	AG522245	1	HEXAGONAL HEAD BOLT	M5 X .08 X 25MM, SS
3	3010559X1	1	SCREW	M4 X 16 CL4.8 ZN
4	3010578X1	4	SCREW	M5 X 10 CL4.8 ZN
5	3386192M1	12	SPRING WASHER	Ø 8-26 MM
6	390542X1	1	EXTERNAL RETAINING RING	S.D.: 58MM - STEEL - PH
9	402294X1	1	CABLE TIE	390MM X 7.6MM
10	4271132M1	34	SCREW	M3,5 X 14
14	4290801M1	4	STUD BOLT	
15	4294356M2	1	CLEVIS PIN	
16	4294357M2	2	FRICTION PLATE	
17	4294358M3	1	TIE PLATE	
18	4294370M1	1	SPACER	APPX. 8.3MM ID X16MM ODX31.8MM
19	4294432M1	1	SUPPORT	
20	4294914M1	1	SPACER	5.5MM ID X 13MM OD X 9.5MM
21	4294915M1	1	HANDWHEEL	
22	4295562M92	1	ENVELOPE	
23	4295563M92	1	ENVELOPE	
24	4295564M92	1	FRONT COVER	
25	4295565M94	1	REAR COVER	
36	521917D1	1	CONTROL MODULE	
40	528035D1	1	BRACKET	
42	528575D1	1	CONSOLE	
43	528580D2	1	BRACKET	
44	528861D1	2	HEX SOCKET BUTTON HEAD BOLT	M6 X 1 X 60MM
46	555158D1	1	CABLE	A5
47	574621D2	1	WIRE HARNESS	ARMREST
48	ACZ0003010	1	CONSOLE	C1000
49	CH131-3540	5	HEX LOCKNUT	M8 X 1.25
51	CH207-2021	6	ROUND HEAD SCREW	K70-3.14
52	CH9X-2044	5	TORX HEAD SCREW	M6 X 1 X 16MM, T30

576471D1-3-01



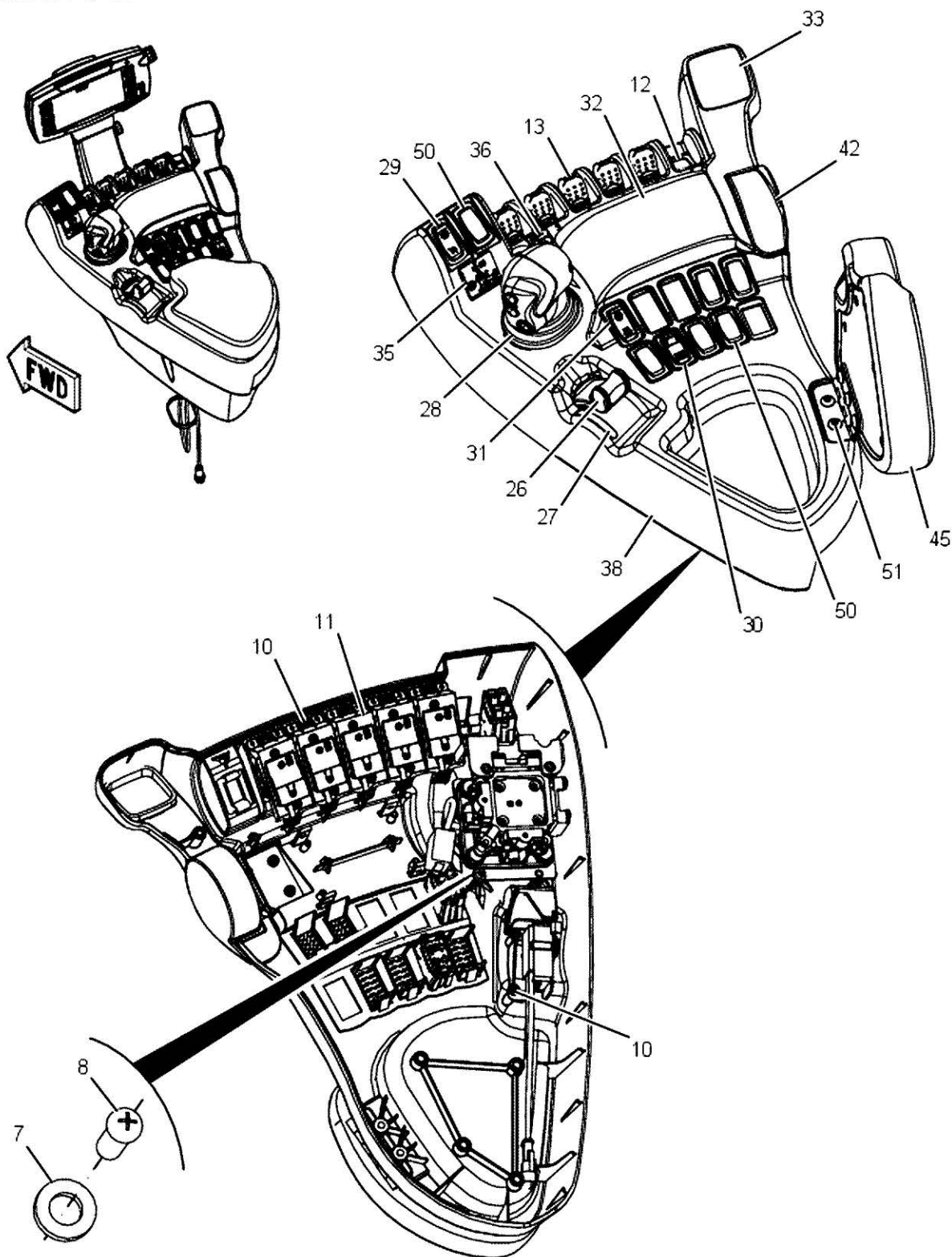
ITEM	PART NUMBER	QTY	DESCRIPTION COMMENTS	TECHNICAL SPECIFICATION
7	400310X1	2	FLAT WASHER	6.6MM ID X 12MM OD X 2MM
8	400836X1	2	PAN HEAD MACHINE SCREW	M5 X 0.8 X 14MM
10	4271132M1	27	SCREW	M3,5 X 14
11	4288510M1	4	SUPPORT	
12	4288518M1	2	MUFF	
13	4289763M2	4	HYDRAULIC CONTROL	
26	4352629M92	1	THROTTLE	
27	501531D1	1	INFORMATIONAL DECAL THROTTLE	
28	508325D2	1	JOYSTICK	
29	508330D1	1	ROCKER SWITCH POWER MANAGE	
30	508333D1	1	ROCKER SWITCH ROADING LOCKOUT	
31	508335D1	1	ENGINE A/B ROCKER SWITCH ENGINE A / B	
32	513962D1	1	PAD	
33	521650D1	1	PLUG	
35	522422D1	1	INFORMATIONAL DECAL SHIFT	
36	522424D1	1	INFORMATIONAL DECAL FINGERTIP	
38	528574D1	1	CONSOLE	
42	529146D1	1	PLUG	ARMREST
45	532681D1	1	ARMREST PAD	
50	CH165-5975	6	SWITCH COVER PLUG	
51	CH207-2021	6	ROUND HEAD SCREW	K70-3.14

576471D1-3-02



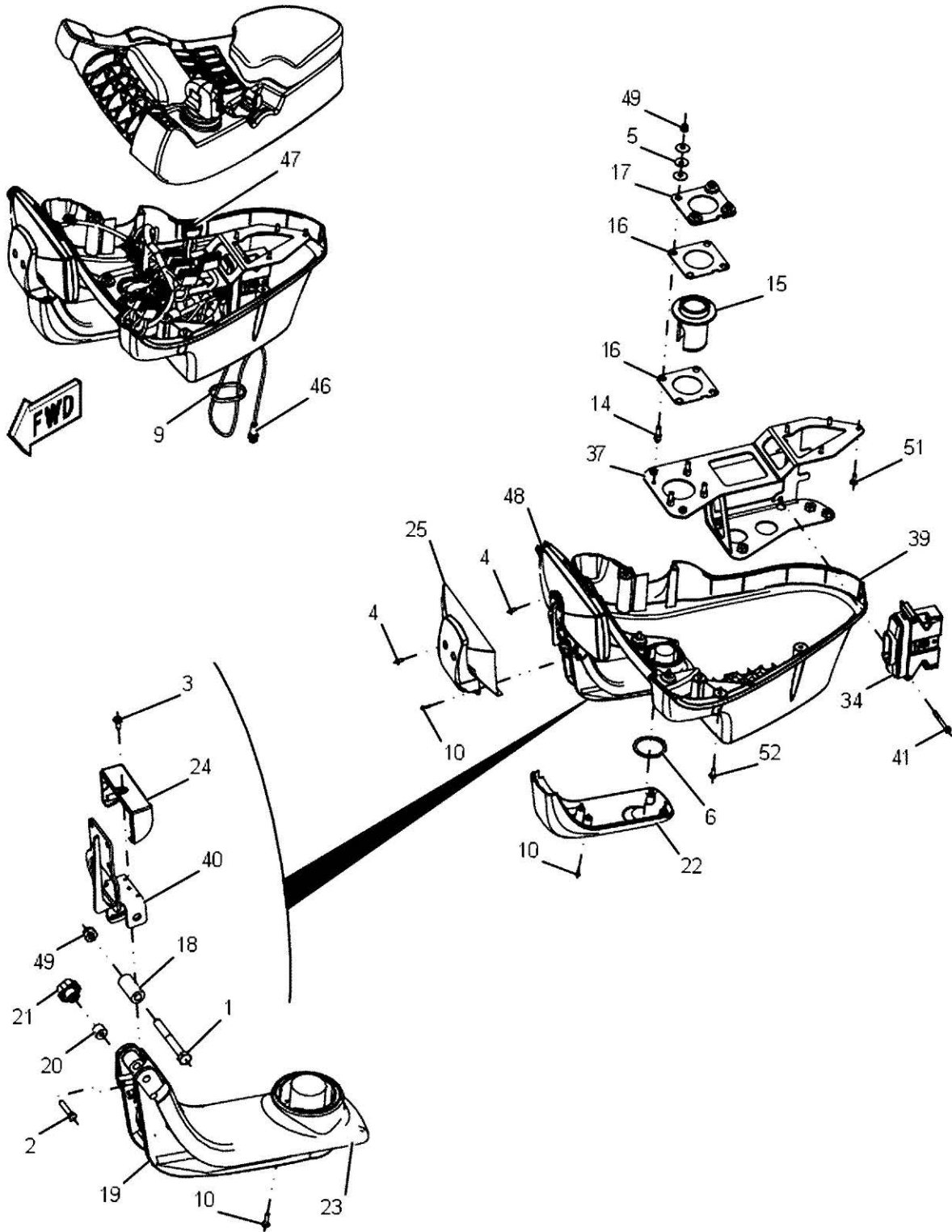
ITEM	PART NUMBER	QTY	DESCRIPTION COMMENTS	TECHNICAL SPECIFICATION
1	WR55041	1	HEXAGONAL HEAD BOLT	M8 X 1.25 X 65MM, CL8.8
2	AG522245	1	HEXAGONAL HEAD BOLT	M5 X .08 X 25MM, SS
3	3010559X1	1	SCREW	M4 X 16 CL4.8 ZN
4	3010578X1	4	SCREW	M5 X 10 CL4.8 ZN
5	3386192M1	12	SPRING WASHER	Ø 8-26 MM
6	390542X1	1	EXTERNAL RETAINING RING	S.D.: 58MM - STEEL - PH
9	402294X1	1	CABLE TIE	390MM X 7.6MM
10	4271132M1	27	SCREW	M3,5 X 14
14	4290801M1	4	STUD BOLT	
15	4294356M2	1	CLEVIS PIN	
16	4294357M2	2	FRICTION PLATE	
17	4294358M3	1	TIE PLATE	
18	4294370M1	1	SPACER	APPX. 8.3MM ID X16MM ODX31.8MM
19	4294432M1	1	SUPPORT	
20	4294914M1	1	SPACER	5.5MM ID X 13MM OD X 9.5MM
21	4294915M1	1	HANDWHEEL	
22	4295562M92	1	ENVELOPE	
23	4295563M92	1	ENVELOPE	
24	4295564M92	1	FRONT COVER	
25	4295565M94	1	REAR COVER	
34	521917D1	1	CONTROL MODULE	
37	528035D1	1	BRACKET	
39	528575D1	1	CONSOLE	
40	528580D2	1	BRACKET	
41	528861D1	2	HEX SOCKET BUTTON HEAD BOLT	M6 X 1 X 60MM
46	555158D1	1	CABLE	A5
47	574621D2	1	WIRE HARNESS	ARMREST
48	ACZ0003010	1	CONSOLE	C1000
49	CH131-3540	5	HEX LOCKNUT	M8 X 1.25
51	CH207-2021	6	ROUND HEAD SCREW	K70-3.14
52	CH9X-2044	5	TORX HEAD SCREW	M6 X 1 X 16MM, T30

576472D1-3-01



ITEM	PART NUMBER	QTY	DESCRIPTION COMMENTS	TECHNICAL SPECIFICATION
7	400310X1	2	FLAT WASHER	6.6MM ID X 12MM OD X 2MM
8	400836X1	2	PAN HEAD MACHINE SCREW	M5 X 0.8 X 14MM
10	4271132M1	31	SCREW	M3,5 X 14
11	4288510M1	5	SUPPORT	
12	4288518M1	1	MUFF	
13	4289763M2	5	HYDRAULIC CONTROL	
26	4352629M92	1	THROTTLE	
27	501531D1	1	INFORMATIONAL DECAL THROTTLE	
28	508325D2	1	JOYSTICK	
29	508330D1	1	ROCKER SWITCH POWER MANAGE	
30	508333D1	1	ROCKER SWITCH ROADING LOCKOUT	
31	508335D1	1	ENGINE A/B ROCKER SWITCH ENGINE A / B	
32	513962D1	1	PAD	
33	521650D1	1	PLUG	
35	522422D1	1	INFORMATIONAL DECAL SHIFT	
36	522424D1	1	INFORMATIONAL DECAL FINGERTIP	
38	528574D1	1	CONSOLE	
42	529146D1	1	PLUG	ARMREST
45	532681D1	1	ARMREST PAD	
50	CH165-5975	6	SWITCH COVER PLUG	
51	CH207-2021	6	ROUND HEAD SCREW	K70-3.14

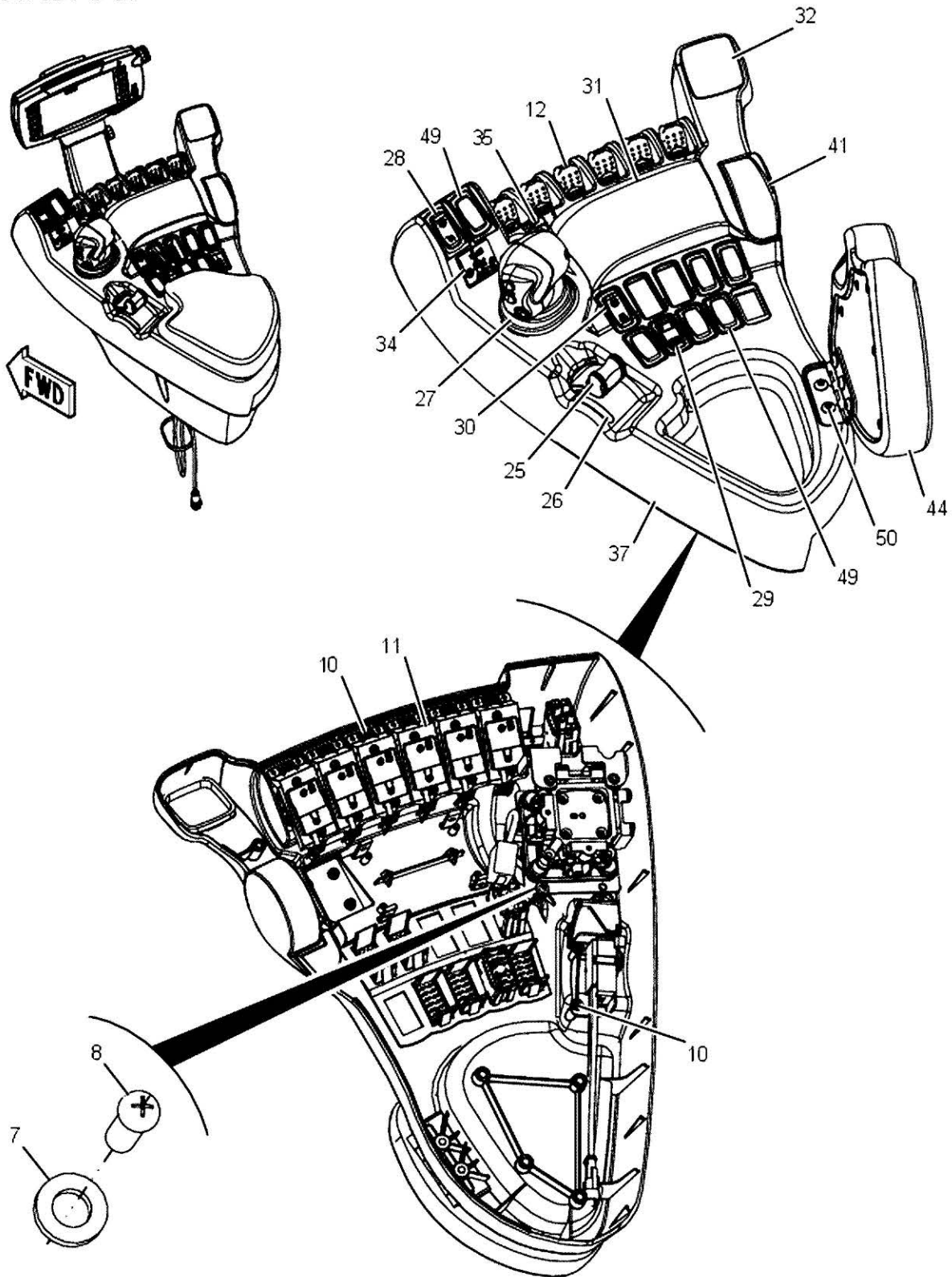
576472D1-3-02



576472D1 - ARMREST GROUP, 5 VALVE, WITHOUT HITCH - 2016

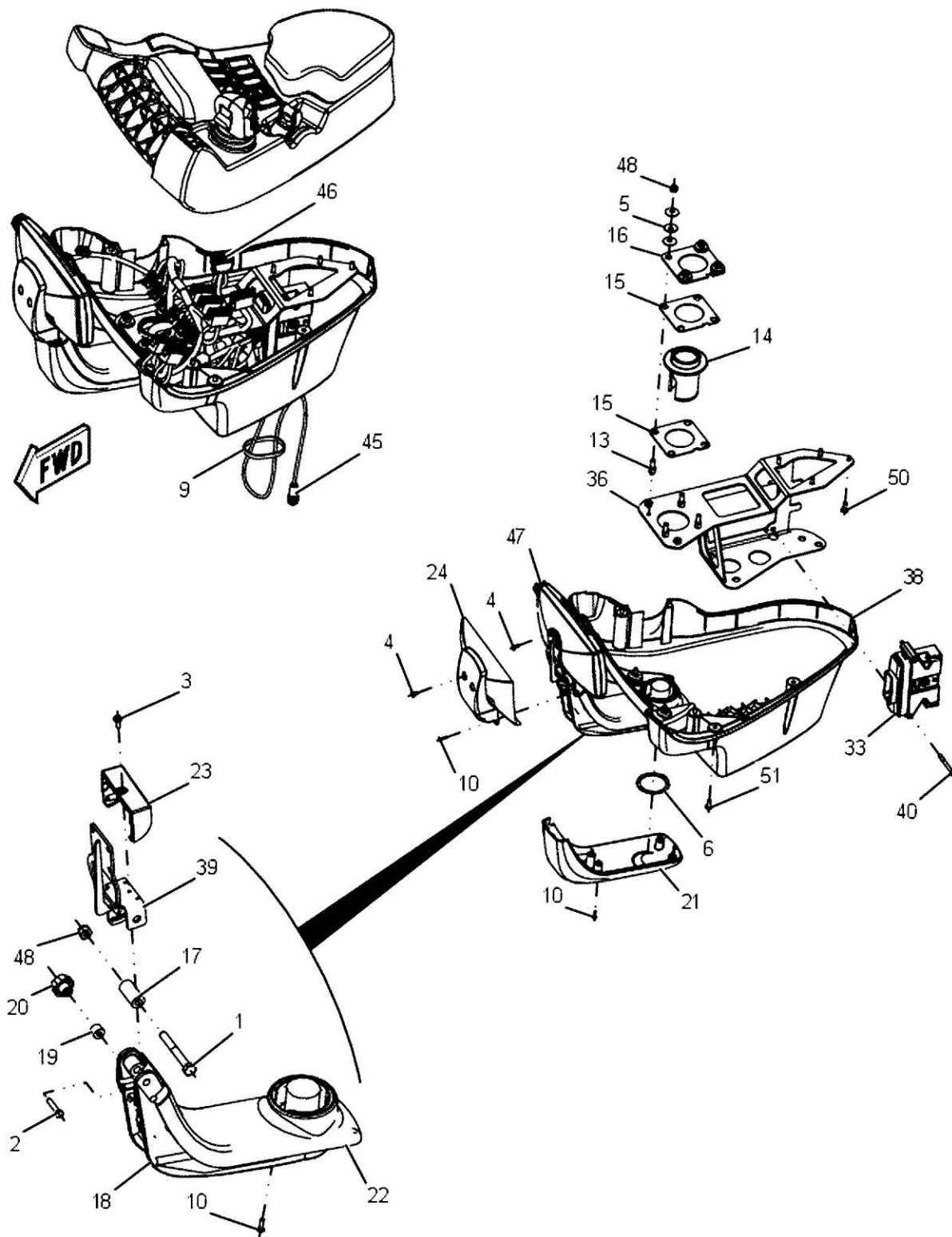
ITEM	PART NUMBER	QTY	DESCRIPTION COMMENTS	TECHNICAL SPECIFICATION
1	WR55041	1	HEXAGONAL HEAD BOLT	M8 X 1.25 X 65MM, CL8.8
2	AG522245	1	HEXAGONAL HEAD BOLT	M5 X .08 X 25MM, SS
3	3010559X1	1	SCREW	M4 X 16 CL4.8 ZN
4	3010578X1	4	SCREW	M5 X 10 CL4.8 ZN
5	3386192M1	12	SPRING WASHER	Ø 8-26 MM
6	390542X1	1	EXTERNAL RETAINING RING	S.D.: 58MM - STEEL - PH
9	402294X1	1	CABLE TIE	390MM X 7.6MM
10	4271132M1	31	SCREW	M3,5 X 14
14	4290801M1	4	STUD BOLT	
15	4294356M2	1	CLEVIS PIN	
16	4294357M2	2	FRICTION PLATE	
17	4294358M3	1	TIE PLATE	
18	4294370M1	1	SPACER	APPX. 8.3MM ID X16MM ODX31.8MM
19	4294432M1	1	SUPPORT	
20	4294914M1	1	SPACER	5.5MM ID X 13MM OD X 9.5MM
21	4294915M1	1	HANDWHEEL	
22	4295562M92	1	ENVELOPE	
23	4295563M92	1	ENVELOPE	
24	4295564M92	1	FRONT COVER	
25	4295565M94	1	REAR COVER	
34	521917D1	1	CONTROL MODULE	
37	528035D1	1	BRACKET	
39	528575D1	1	CONSOLE	
40	528580D2	1	BRACKET	
41	528861D1	2	HEX SOCKET BUTTON HEAD BOLT	M6 X 1 X 60MM
46	555158D1	1	CABLE	A5
47	574621D2	1	WIRE HARNESS	ARMREST
48	ACZ0003010	1	CONSOLE	C1000
49	CH131-3540	5	HEX LOCKNUT	M8 X 1.25
51	CH207-2021	6	ROUND HEAD SCREW	K70-3.14
52	CH9X-2044	5	TORX HEAD SCREW	M6 X 1 X 16MM, T30

576473D1-3-01



ITEM	PART NUMBER	QTY	DESCRIPTION COMMENTS	TECHNICAL SPECIFICATION
7	400310X1	2	FLAT WASHER	6.6MM ID X 12MM OD X 2MM
8	400836X1	2	PAN HEAD MACHINE SCREW	M5 X 0.8 X 14MM
10	4271132M1	35	SCREW	M3,5 X 14
11	4288510M1	6	SUPPORT	
12	4289763M2	6	HYDRAULIC CONTROL	
25	4352629M92	1	THROTTLE	
26	501531D1	1	INFORMATIONAL DECAL THROTTLE	
27	508325D2	1	JOYSTICK	
28	508330D1	1	ROCKER SWITCH POWER MANAGE	
29	508333D1	1	ROCKER SWITCH ROADING LOCKOUT	
30	508335D1	1	ENGINE A/B ROCKER SWITCH ENGINE A / B	
31	513962D1	1	PAD	
32	521650D1	1	PLUG	
34	522422D1	1	INFORMATIONAL DECAL SHIFT	
35	522424D1	1	INFORMATIONAL DECAL FINGERTIP	
37	528574D1	1	CONSOLE	
41	529146D1	1	PLUG	ARMREST
44	532681D1	1	ARMREST PAD	
49	CH165-5975	6	SWITCH COVER PLUG	
50	CH207-2021	6	ROUND HEAD SCREW	K70-3.14

576473D1-3-02

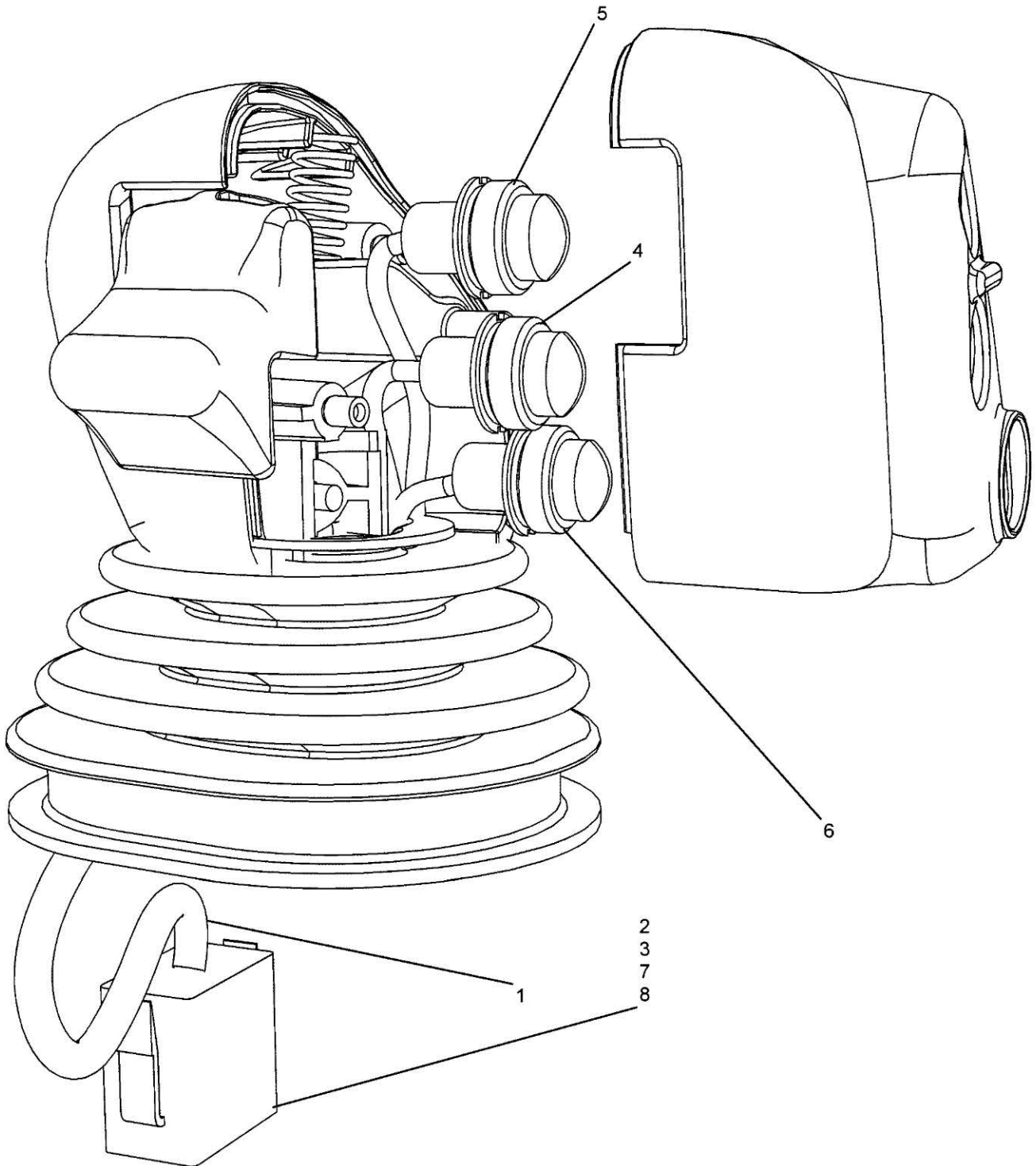


576473D1 - ARMREST GROUP, 6 VALVE, WITHOUT HITCH - 2016

ITEM	PART NUMBER	QTY	DESCRIPTION COMMENTS	TECHNICAL SPECIFICATION
1	WR55041	1	HEXAGONAL HEAD BOLT	M8 X 1.25 X 65MM, CL8.8
2	AG522245	1	HEXAGONAL HEAD BOLT	M5 X .08 X 25MM, SS
3	3010559X1	1	SCREW	M4 X 16 CL4.8 ZN
4	3010578X1	4	SCREW	M5 X 10 CL4.8 ZN
5	3386192M1	12	SPRING WASHER	Ø 8-26 MM
6	390542X1	1	EXTERNAL RETAINING RING	S.D.: 58MM - STEEL - PH
9	402294X1	1	CABLE TIE	390MM X 7.6MM
10	4271132M1	35	SCREW	M3,5 X 14
13	4290801M1	4	STUD BOLT	
14	4294356M2	1	CLEVIS PIN	
15	4294357M2	2	FRICTION PLATE	
16	4294358M3	1	TIE PLATE	
17	4294370M1	1	SPACER	APPX. 8.3MM ID X16MM ODX31.8MM
18	4294432M1	1	SUPPORT	
19	4294914M1	1	SPACER	5.5MM ID X 13MM OD X 9.5MM
20	4294915M1	1	HANDWHEEL	
21	4295562M92	1	ENVELOPE	
22	4295563M92	1	ENVELOPE	
23	4295564M92	1	FRONT COVER	
24	4295565M94	1	REAR COVER	
33	521917D1	1	CONTROL MODULE	
36	528035D1	1	BRACKET	
38	528575D1	1	CONSOLE	
39	528580D2	1	BRACKET	
40	528861D1	2	HEX SOCKET BUTTON HEAD BOLT	M6 X 1 X 60MM
45	555158D1	1	CABLE	A5
46	574621D2	1	WIRE HARNESS	ARMREST
47	ACZ0003010	1	CONSOLE	C1000
48	CH131-3540	5	HEX LOCKNUT	M8 X 1.25
50	CH207-2021	6	ROUND HEAD SCREW	K70-3.14
51	CH9X-2044	5	TORX HEAD SCREW	M6 X 1 X 16MM, T30

529328D1 - PUSHBUTTON SWITCH INSTALLATION

529328D1-2-Z062

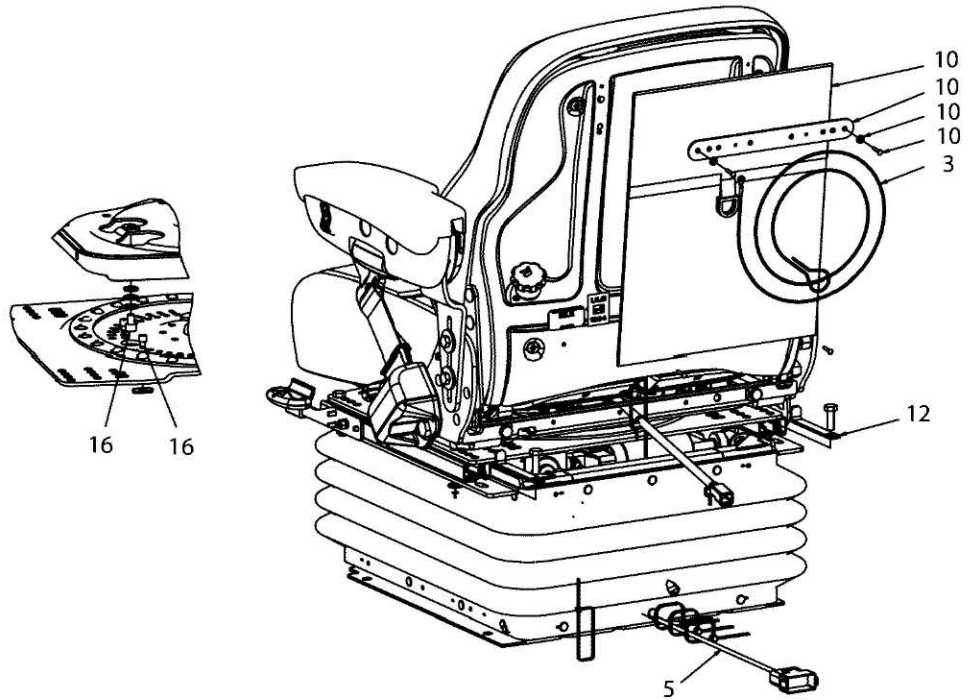
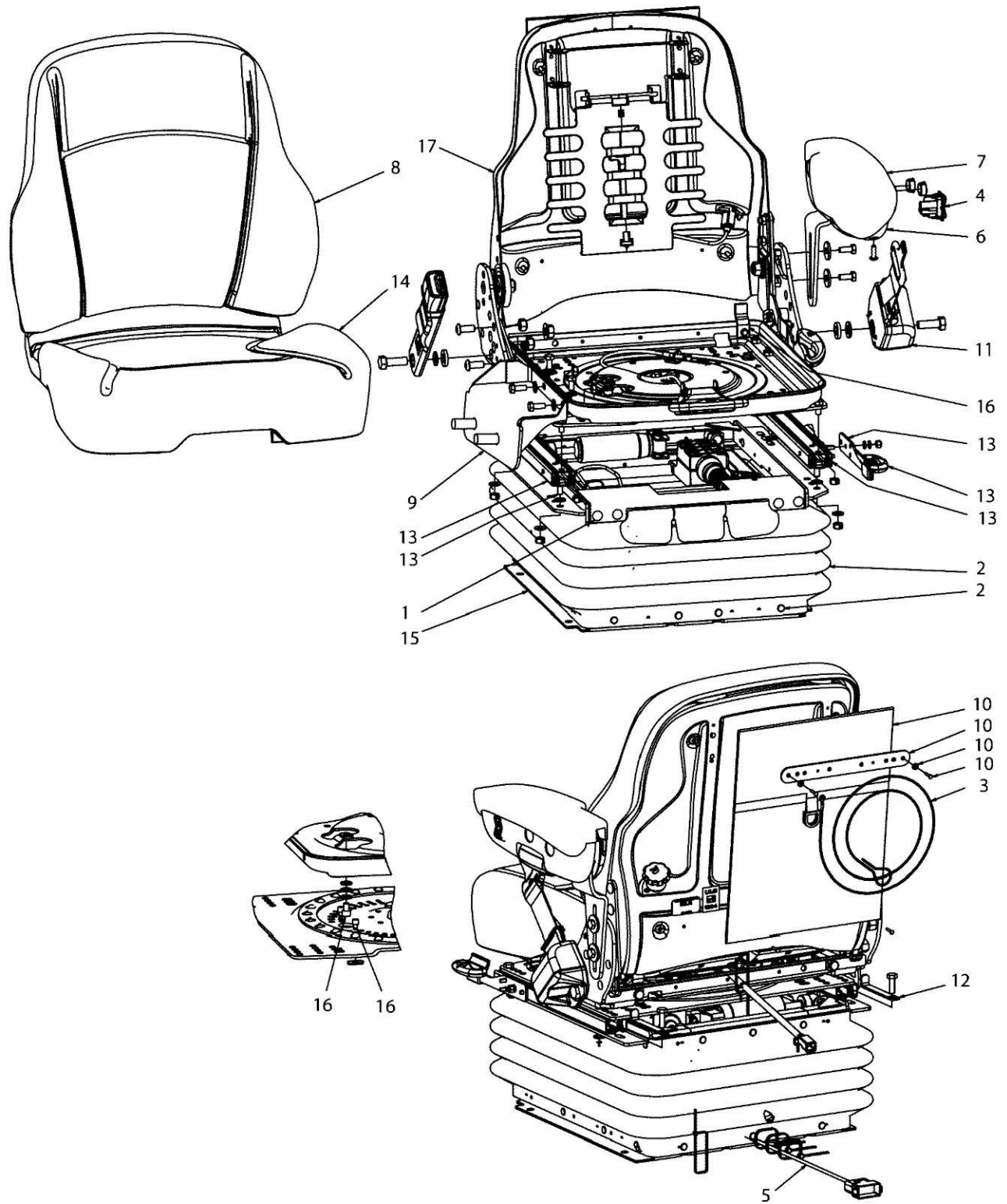


**529328D1 - PUSHBUTTON SWITCH INSTALLATION**

---

ITEM	PART NUMBER	QTY	DESCRIPTION COMMENTS	TECHNICAL SPECIFICATION
1	100-6651	-	COVER BULK: 29 CM	
2	400472X1	3	PLUG SEALING	
3	400499X1	1	LOCK	
4	529206D1	1	PUSH-BUTTON SWITCH PUSHBUTTON DOWNSHIFT SWITCH ASSEMBLY	
	502122D1	1	PUSH BUTTON CAP ORANGE	
5	529207D1	1	PUSH-BUTTON SWITCH PUSHBUTTON UPSHIFT SWITCH ASSEMBLY	
	502122D1	1	PUSH BUTTON CAP ORANGE	
6	529208D1	1	PUSH-BUTTON SWITCH PUSHBUTTON ONE TOUCH SWITCH ASSEMBLY	
	502122D1	1	PUSH BUTTON CAP ORANGE	
7	CH169-8674	1	PLUG CONNECTOR	
8	400715X1	9	ELECTRICAL CONNECTOR	16-18 AWG

555854D1-02

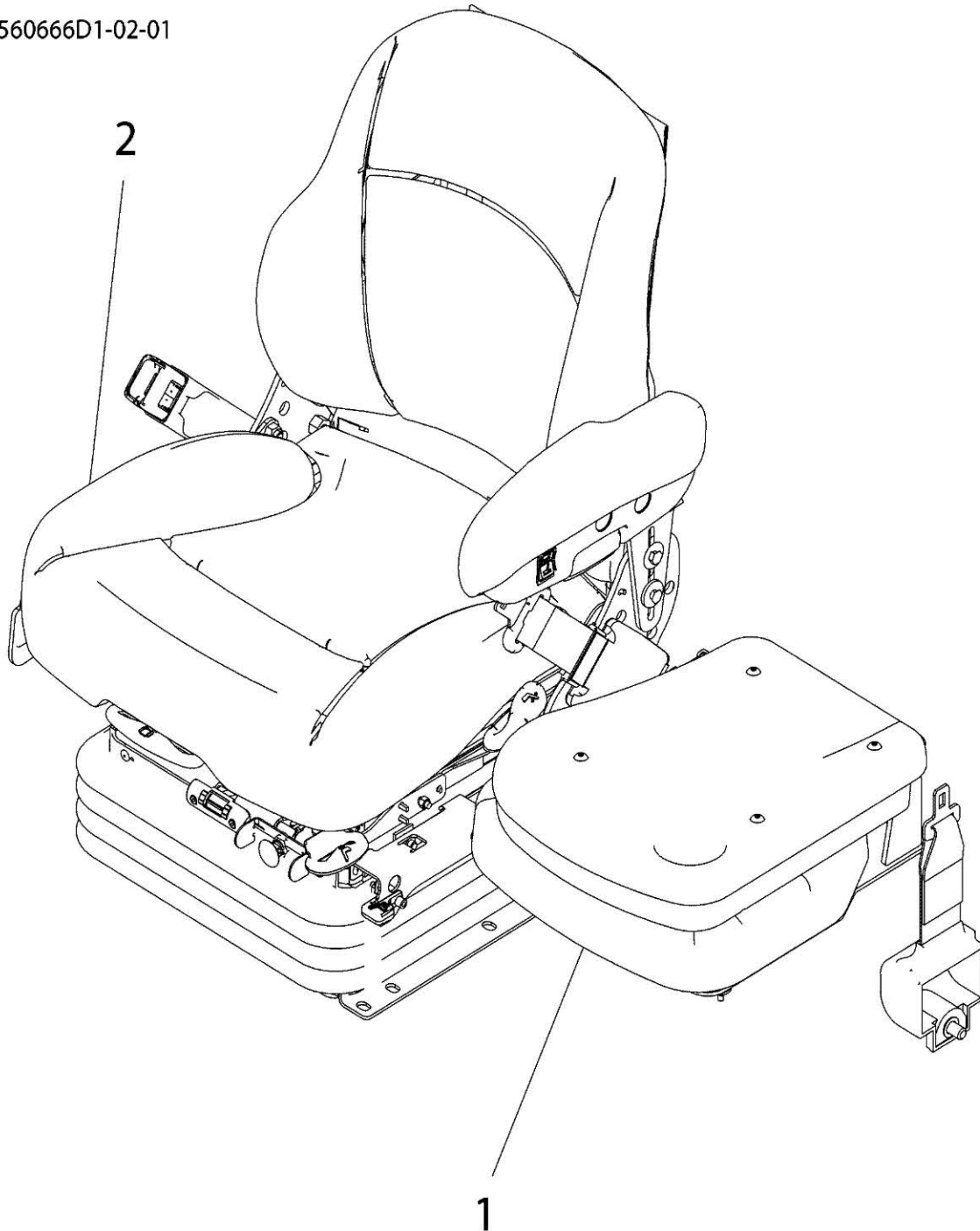


**555854D1 - SEAT GROUP, BASIC**

---

ITEM	PART NUMBER	QTY	DESCRIPTION COMMENTS	TECHNICAL SPECIFICATION
1	197-4544	1	FASTENER KIT	
2	584271D1	1	BOOT KIT	
3	AG330850	1	LANYARD	
4	508257D1	1	ROCKER SWITCH VALVE WITH 90 DEGREE ELBOW.	
5	530911D1	1	WIRE HARNESS	
6	563593D1	1	ARMREST KIT, LEFT HAND	
7	563596D1	1	ARMREST PAD, LEFT HAND	
8	563597D1	1	SEAT BACK CUSHION	
9	563598D1	1	CONSOLE MOUNTING BRACKET	
10	563610D1	1	MANUAL HOLDER BOX	
11	568086D1	1	SEAT BELT KIT	
12	568087D1	1	SLIDE STOP	
13	568088D1	1	SLIDE KIT	
14	570452D1	1	SEAT CUSHION KIT	
15	570453D1	1	SUSPENSION KIT SEE PAGE 10-0079	
16	570598D1	1	BRACKET KIT	
17	571171D1	1	SEAT FRAME KIT	

560666D1-02-01

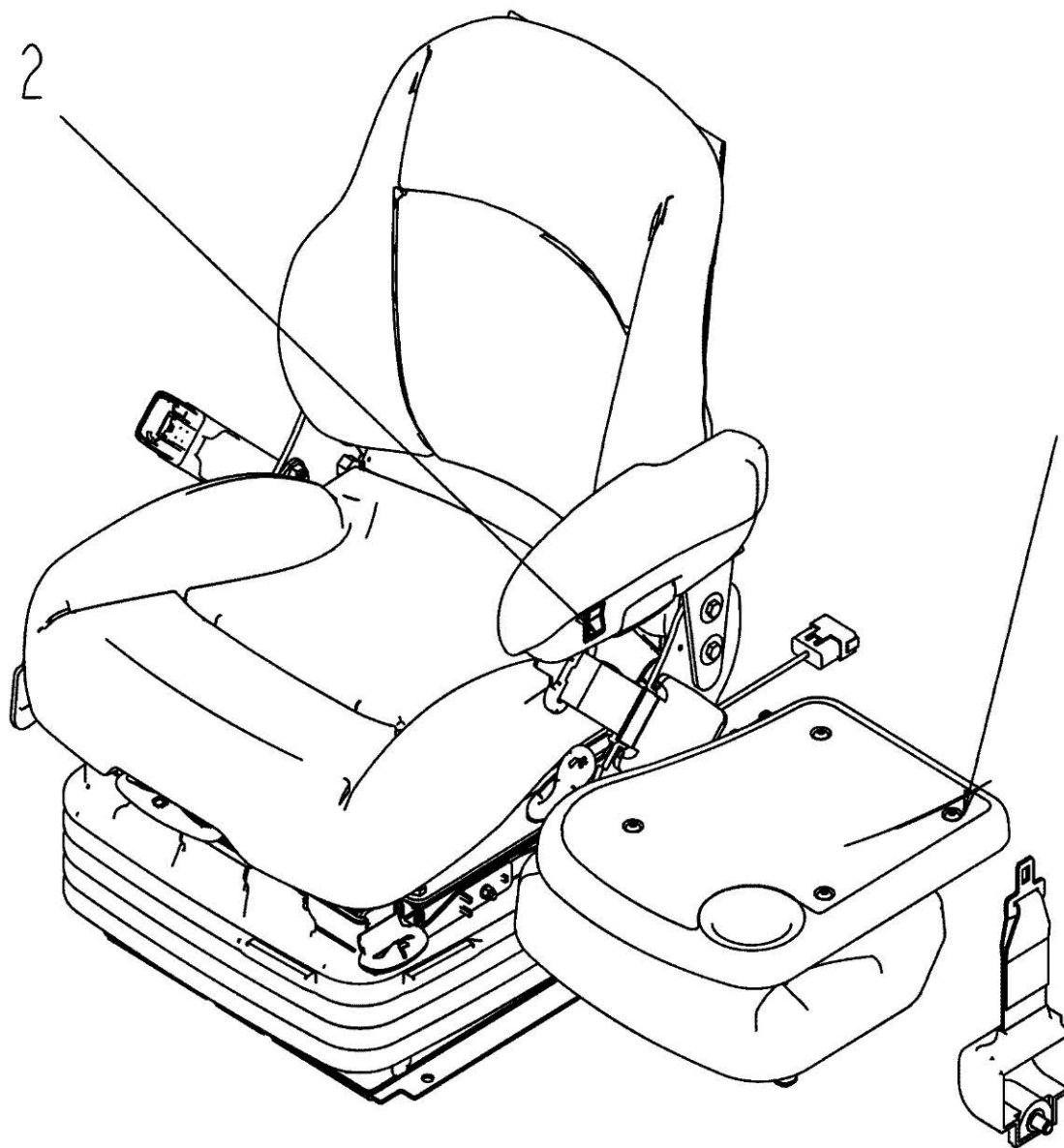


**560666D1 - SEAT GROUP, BASIC - TLV (TOGGLE LINK VERTICAL)**

---

ITEM	PART NUMBER	QTY	DESCRIPTION COMMENTS	TECHNICAL SPECIFICATION
1	NS	1	NON-SERVICEABLE PART SEE PAGE 10-0054	
2	560667D1	1	BASIC OPERATORS SEAT	TLV

555394D1-3-AB431-

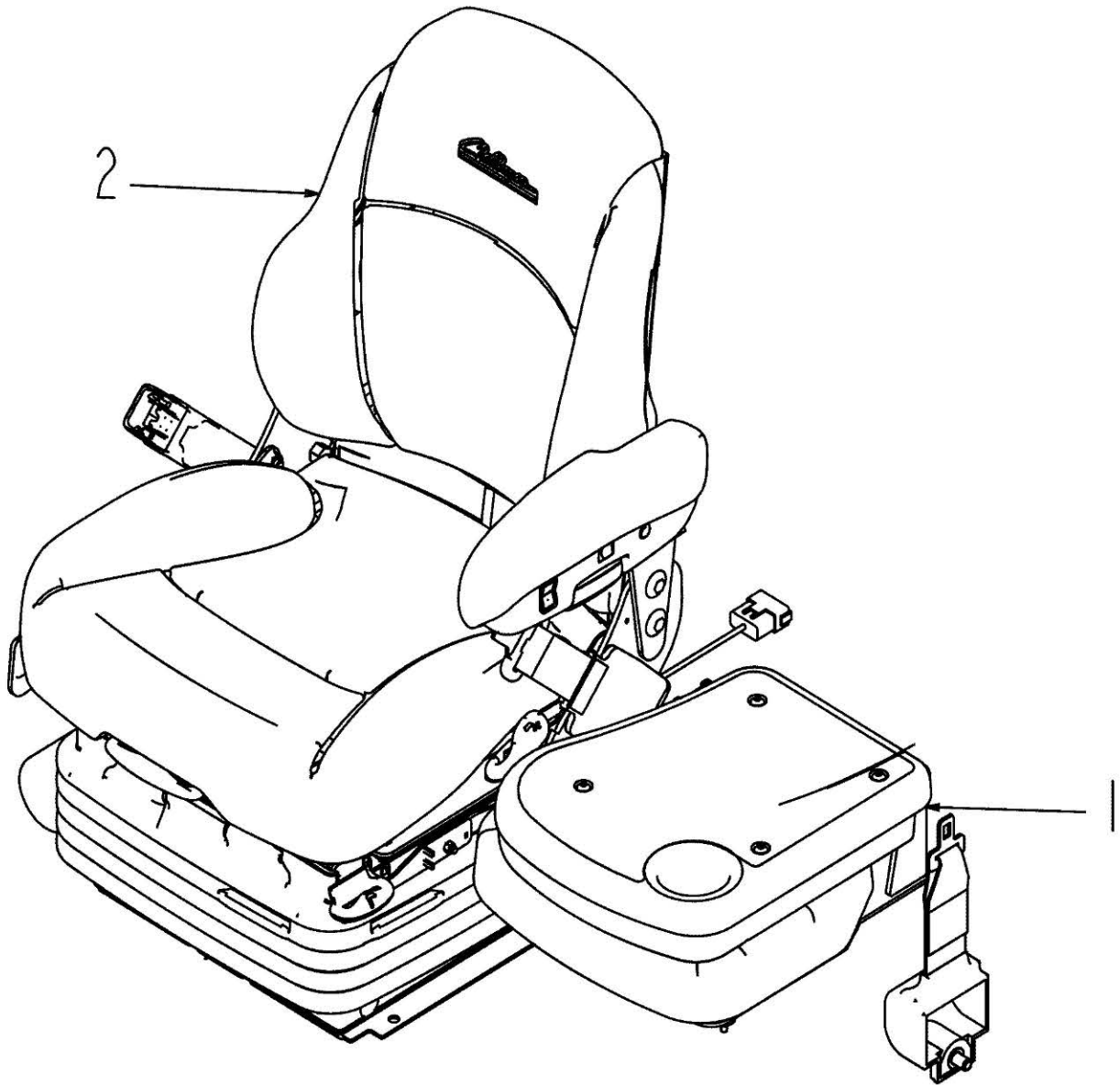


**555394D1 - SEAT GROUP, BASIC**

---

ITEM	PART NUMBER	QTY	DESCRIPTION COMMENTS	TECHNICAL SPECIFICATION
1	NS	1	NON-SERVICEABLE PART SEE PAGE 10-0054	
2	555854D1	1	BASIC OPERATORS SEAT SEE PAGE 10-0049	

555395D1-3-AB431-

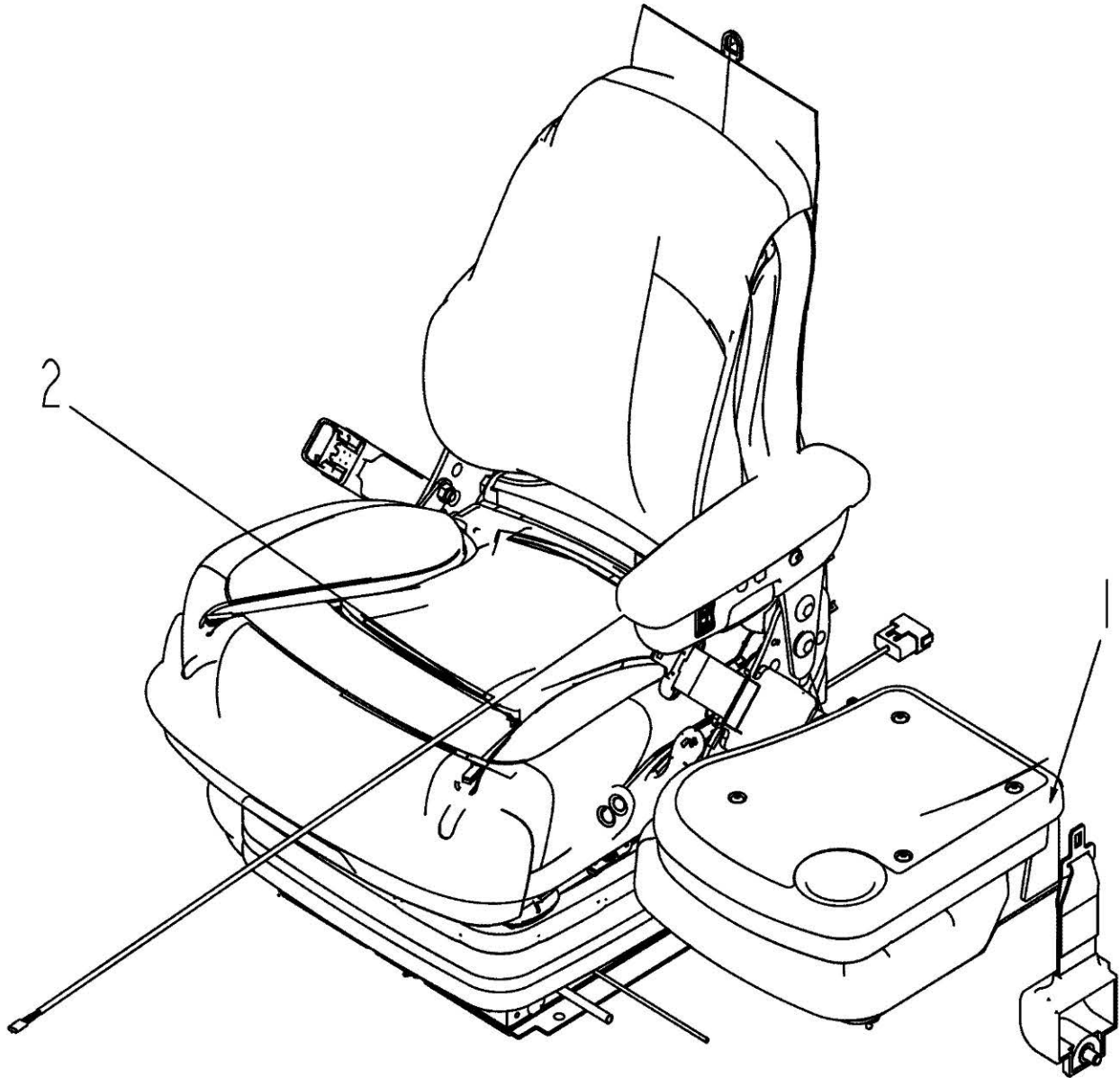


**555395D1 - SEAT GROUP, DELUXE**

---

ITEM	PART NUMBER	QTY	DESCRIPTION COMMENTS	TECHNICAL SPECIFICATION
1	NS	1	NON-SERVICEABLE PART SEE PAGE 10-0054	
2	555855D1	1	DELUXE OPERATORS SEAT SEE PAGE 10-0057	

555397D1-3-AB431-

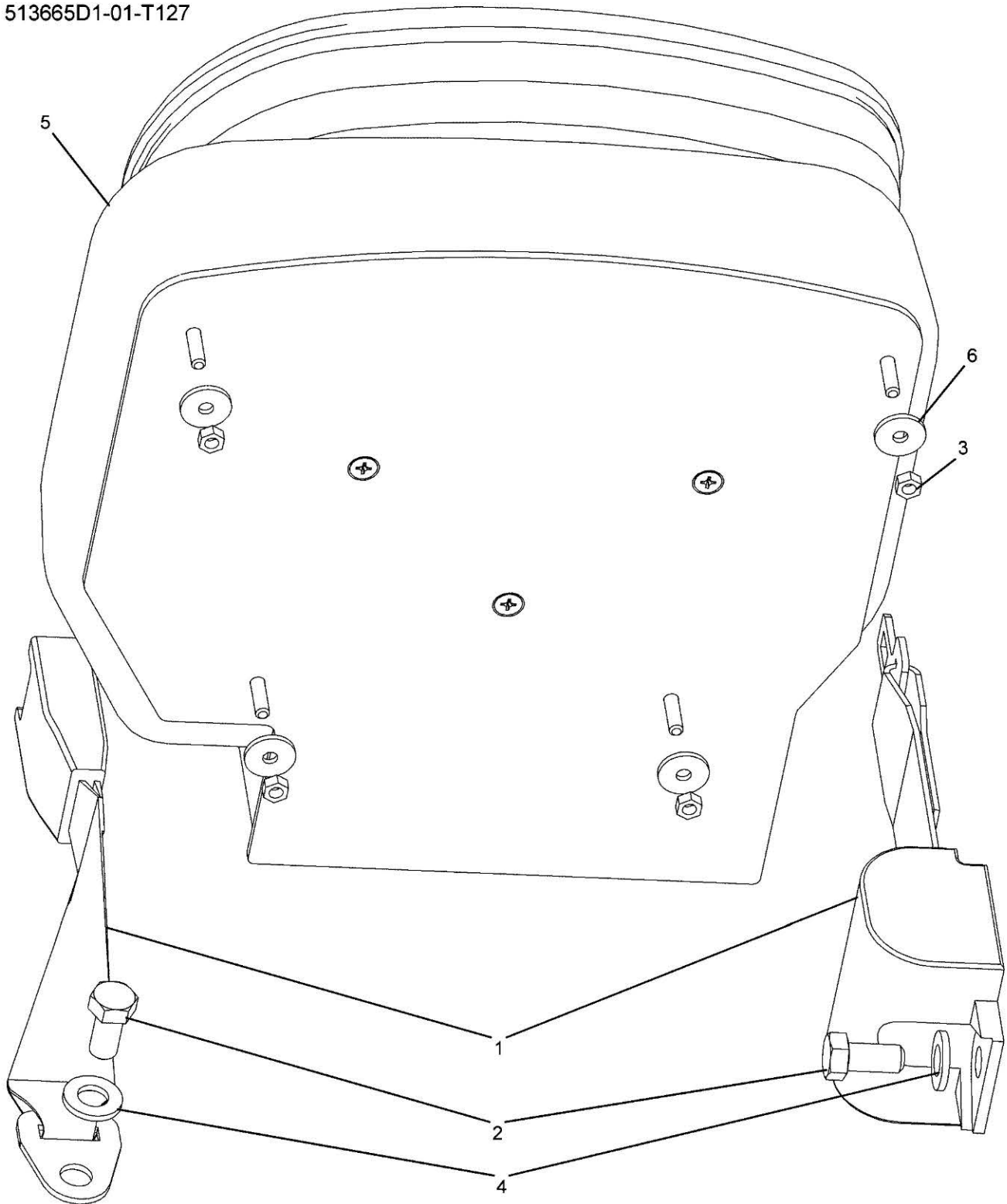


**555397D1 - SEAT GROUP, DELUXE, LEATHER**

---

ITEM	PART NUMBER	QTY	DESCRIPTION COMMENTS	TECHNICAL SPECIFICATION
1	NS	1	NON-SERVICEABLE PART SEE PAGE 10-0055	
2	555857D1	1	LEATHER VENTED OPERATORS SEAT	

513665D1-01-T127

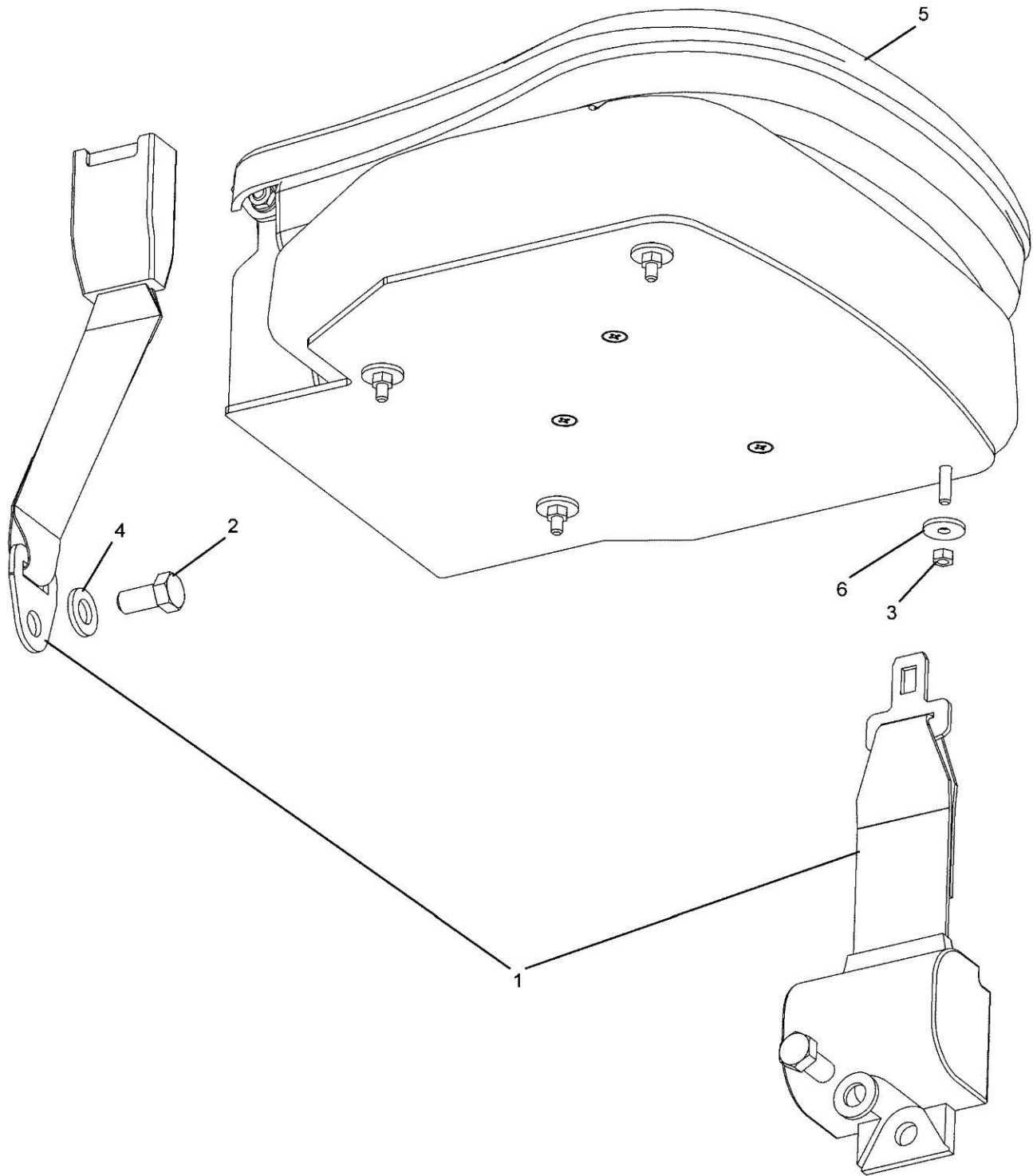


**513665D1 - SEAT GROUP, TRAINING**

---

ITEM	PART NUMBER	QTY	DESCRIPTION COMMENTS	TECHNICAL SPECIFICATION
1	185-2151	1	SEAT BELT	
2	400055X1	2	HEXAGONAL HEAD BOLT	M12 X 1.75 X 25MM, CL10.9
3	400300X1	4	HEX NUT	M6 X 1
4	400357X1	2	FLAT WASHER	M12 X 25.5 X 3MM
5	513664D1	1	SEAT SEE PAGE 10-0056	
6	CH9X-6165	4	FLAT WASHER	6.5MM ID X 22MM OD X 2.5MM

521879D1-01-T127



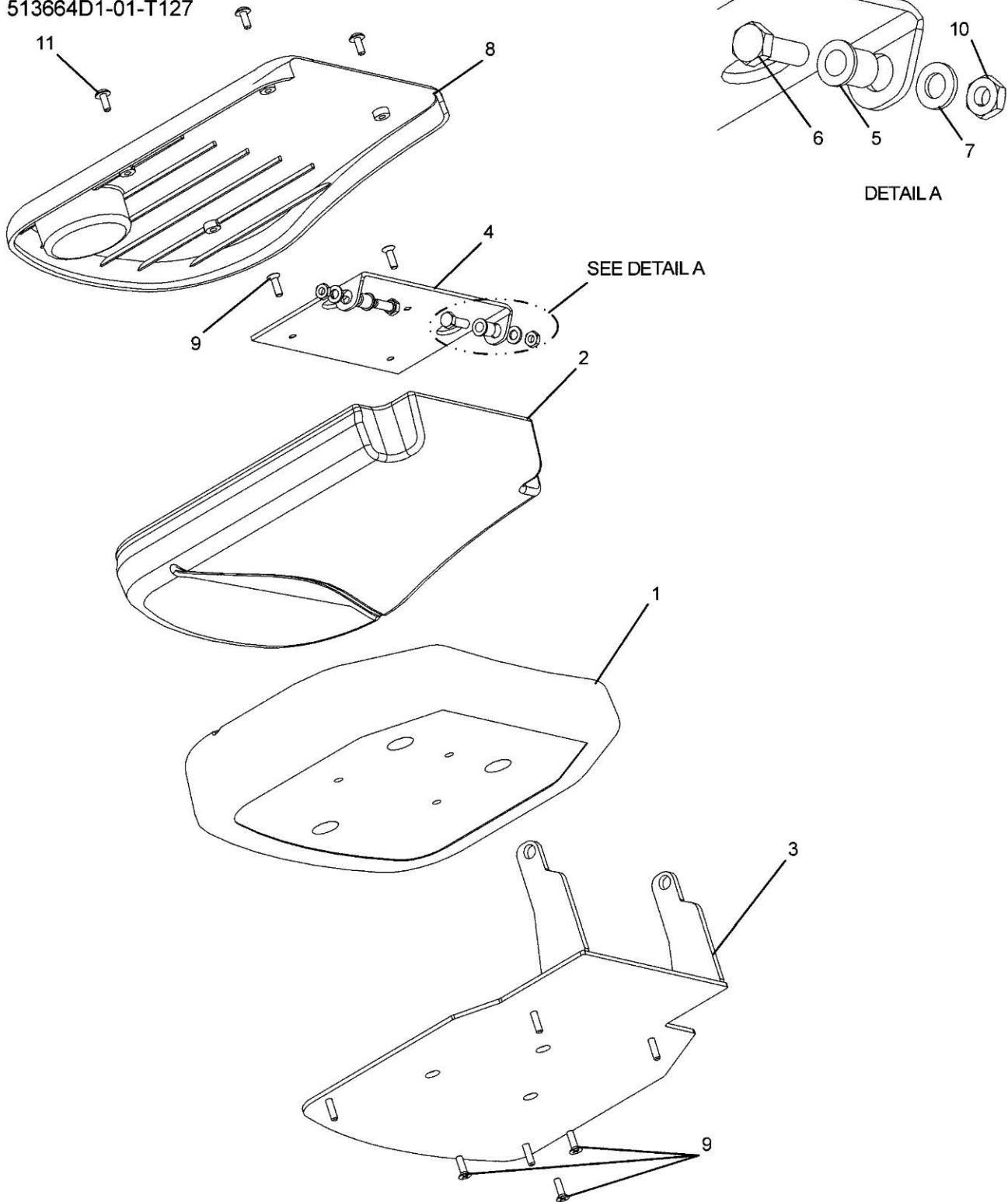
**521879D1 - SEAT GROUP, TRAINING, LEATHER**

---

ITEM	PART NUMBER	QTY	DESCRIPTION COMMENTS	TECHNICAL SPECIFICATION
1	185-2151	1	SEAT BELT	
2	400055X1	2	HEXAGONAL HEAD BOLT	M12 X 1.75 X 25MM, CL10.9
3	400300X1	4	HEX NUT	M6 X 1
4	400357X1	2	FLAT WASHER	M12 X 25.5 X 3MM
5	513664D1	1	SEAT LEATHER SEE PAGE 10-0056	
6	CH9X-6165	4	FLAT WASHER	6.5MM ID X 22MM OD X 2.5MM

513664D1 - SEAT ASSEMBLY - TRAINER SEAT, CLOTH

513664D1-01-T127

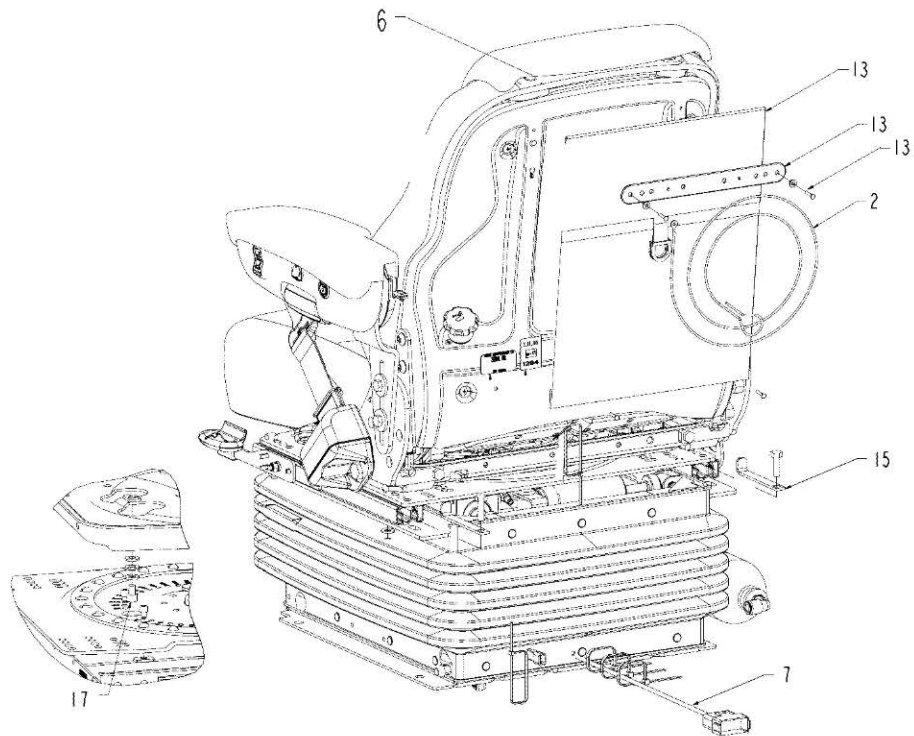
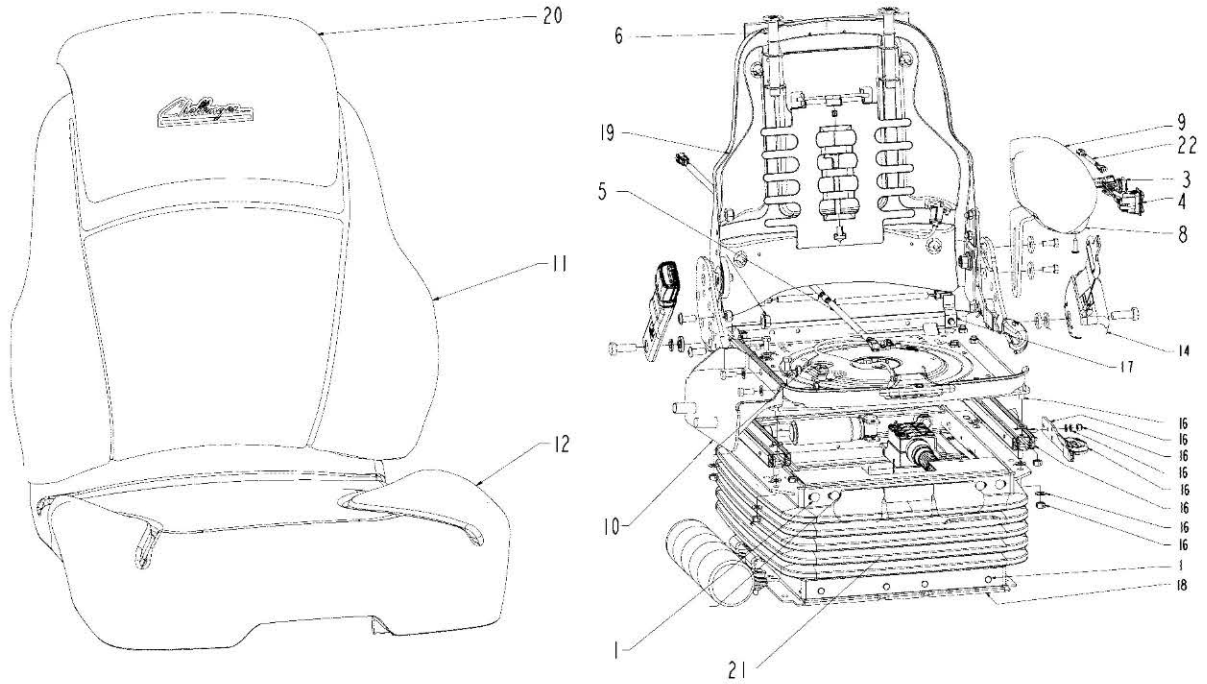


**513664D1 - SEAT ASSEMBLY - TRAINER SEAT, CLOTH**

---

ITEM	PART NUMBER	QTY	DESCRIPTION COMMENTS	TECHNICAL SPECIFICATION
1	162-6757	1	CUSHION	
2	162-6758	1	CUSHION	
3	169-6351	1	BRACKET HINGE	
4	178-9244	1	HINGE BRACKET	
5	178-9245	2	HINGE BUSHING	
6	AG520867	2	HEXAGONAL HEAD BOLT	M8 X 1.25 X 25MM, CL10.9
7	400339X1	2	FLAT WASHER	9MM X 16MM X 2MM
8	513533D1	1	COVER REAR	
9	CH095-0759	6	FLAT HEAD SCREW	M6 X 1 X 20MM
10	CH8T-7963	2	LOCKNUT	M8 X 1.25
11	CH9X-2044	4	TORX HEAD SCREW	M6 X 1 X 16MM, T30

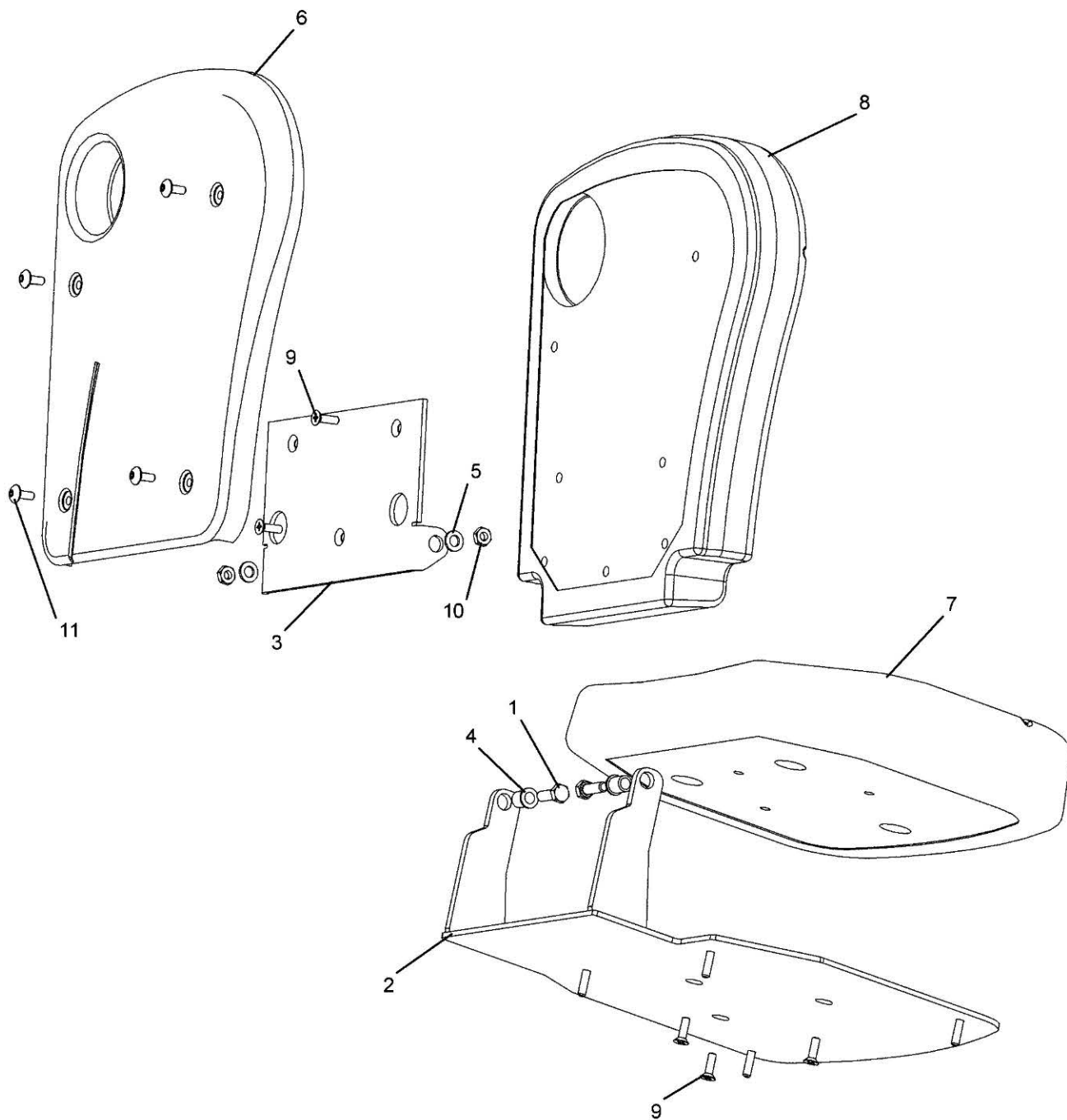
555855D1-4-



**555855D1 - SEAT GROUP, DELUXE**

ITEM	PART NUMBER	QTY	DESCRIPTION COMMENTS	TECHNICAL SPECIFICATION
1	197-4544	1	FASTENER KIT	
2	AG330850	1	LANYARD	
3	502929D1	1	TOGGLE SWITCH HEATER SWITCH	
4	508257D1	1	ROCKER SWITCH 3 POSITION MOMENTARY ROCKER VALVE	
5	514387D1	1	WIRE HARNESS	
6	516020D1	1	KIT, GUIDE	
7	530911D1	1	WIRE HARNESS	
8	563593D1	1	ARMREST KIT, LEFT HAND	
9	563596D1	1	ARMREST PAD, LEFT HAND	
10	563598D1	1	CONSOLE MOUNTING BRACKET	
11	563599D1	1	SEAT BACK CUSHION	
12	563601D1	1	SEAT CUSHION	
13	563610D1	1	MANUAL HOLDER BOX	
14	568086D1	1	SEAT BELT KIT	
15	568087D1	1	SLIDE STOP	
16	568088D1	1	SLIDE KIT	
17	570598D1	11	BRACKET KIT	
18	571170D1	1	SUSPENSION KIT SEE PAGE 10-0086	
19	571171D1	1	SEAT FRAME KIT	
20	571173D1	1	SEAT HEADREST	
21	584271D1	1	BOOT KIT	
22	585502D1	1	SEAT SWITCH	

521880D1-01-T127



**521880D1 - SEAT ASSEMBLY, LEATHER - INSTRUCTOR SEAT**

---

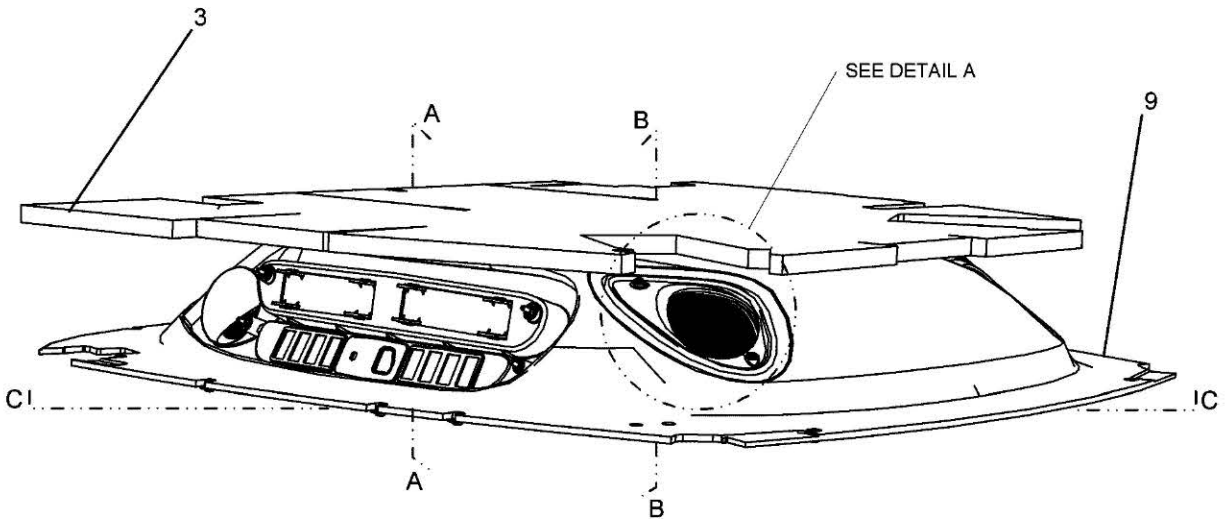
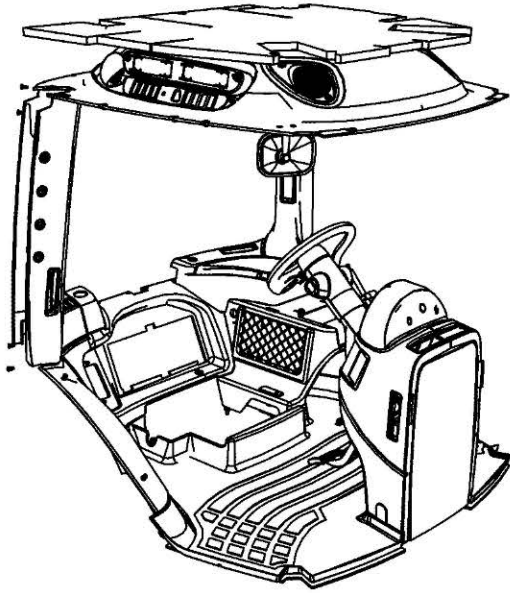
ITEM	PART NUMBER	QTY	DESCRIPTION COMMENTS	TECHNICAL SPECIFICATION
1	AG520867	2	HEXAGONAL HEAD BOLT	M8 X 1.25 X 25MM, CL10.9
2	169-6351	1	BRACKET HINGE	
3	178-9244	1	HINGE BRACKET	
4	178-9245	2	HINGE BUSHING	
5	400339X1	2	FLAT WASHER	9MM X 16MM X 2MM
6	513533D1	1	COVER REAR	
7	515654D1	1	CUSHION	
8	515655D1	1	CUSHION	
9	CH095-0759	6	FLAT HEAD SCREW	M6 X 1 X 20MM
10	CH8T-7963	2	LOCKNUT	M8 X 1.25
11	CH9X-2044	4	TORX HEAD SCREW	M6 X 1 X 16MM, T30



**555857D1 - LEATHER SEAT GROUP, VENTED**

ITEM	PART NUMBER	QTY	DESCRIPTION COMMENTS	TECHNICAL SPECIFICATION
1	197-4544	1	FASTENER KIT	
2	AG330850	1	LANYARD	
3	508257D1	1	ROCKER SWITCH	
4	516020D1	1	KIT, GUIDE	
5	530911D1	1	WIRE HARNESS	
6	563598D1	1	CONSOLE MOUNTING BRACKET	
7	563610D1	1	MANUAL HOLDER BOX	
8	568086D1	1	SEAT BELT KIT	
9	568087D1	1	SLIDE STOP	
10	568088D1	1	SLIDE KIT	
11	568090D1	1	HEAD REST	
12	568091D1	1	SEAT CUSHION	
13	568092D1	1	SEAT BACK CUSHION	
14	570457D1	1	SEAT MODULE COVER KIT	
15	571170D1	1	SUSPENSION KIT	
16	571172D1	1	SEAT FRAME KIT	
17	571224D1	1	SEAT STOP KIT	
18	575167D1	1	ARMREST PAD, LEFT HAND	
19	582529D1	1	ARMREST KIT	
20	582530D1	1	SWITCH KIT	
21	582531D1	1	HARNESS KIT	
22	584271D1	1	BOOT KIT	
23	585502D1	1	SEAT SWITCH	
24	585503D1	1	SEAT SWITCH	HVS

513659D1-02-V374-01

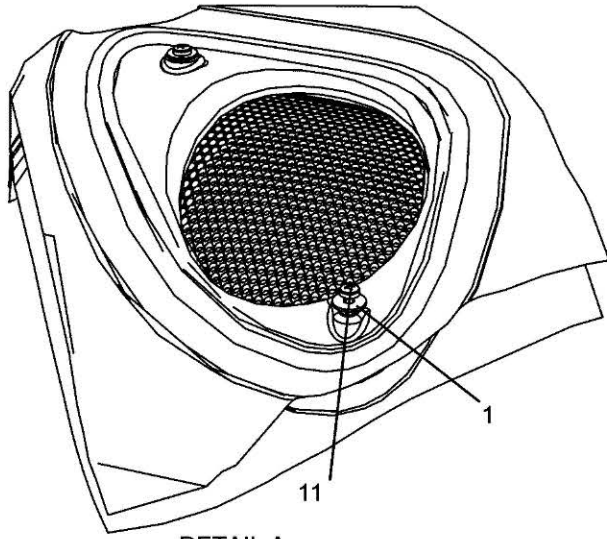


**513659D1 - CAB HEADLINER ASSEMBLY**

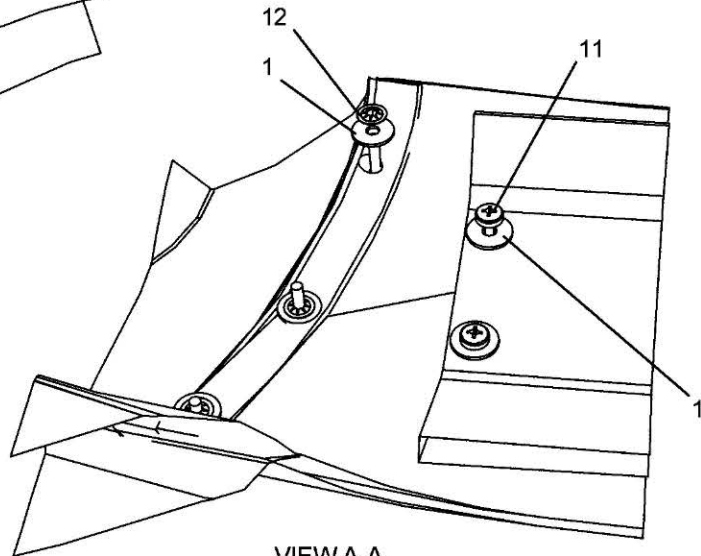
---

ITEM	PART NUMBER	QTY	DESCRIPTION COMMENTS	TECHNICAL SPECIFICATION
3	502654D1	1	INSULATION	
9	519932D1	1	CAB HEADLINER	

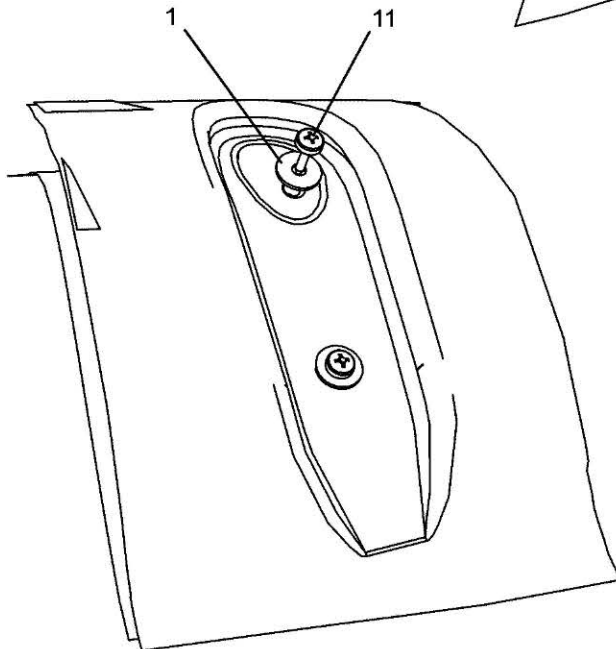
513659D1-02-V374-02



DETAIL A



VIEW A-A



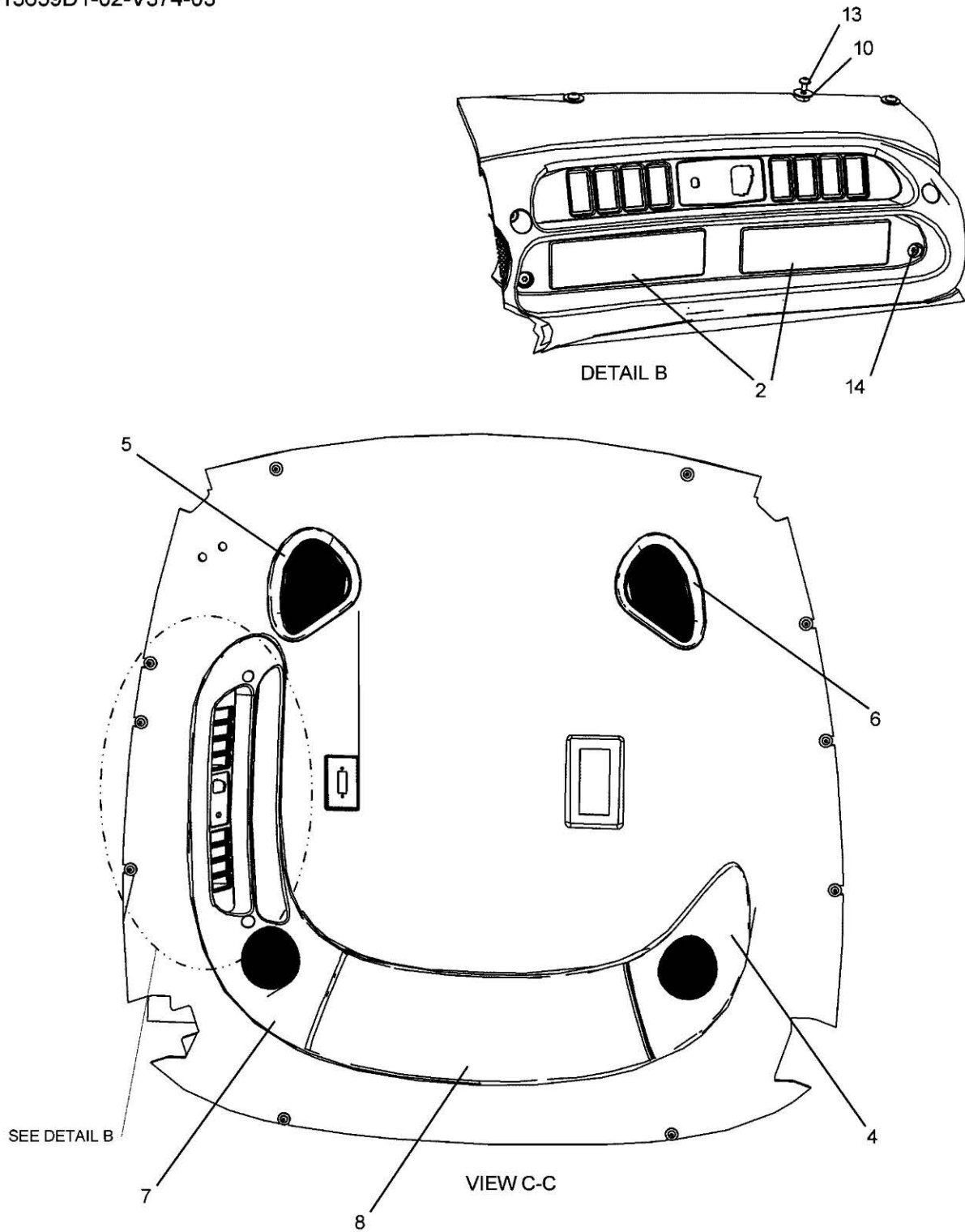
VIEW B-B

**513659D1 - CAB HEADLINER ASSEMBLY**

---

ITEM	PART NUMBER	QTY	DESCRIPTION COMMENTS	TECHNICAL SPECIFICATION
1	400076X1	15	FLAT WASHER	5IDX16ODX1.2MM ZN
11	CH119-5026	10	PAN HEAD MACHINE SCREW	#10-16 X 16MM
12	CH4V-2264	5	PUSH-ON RETAINER	0.156" ID

513659D1-02-V374-03

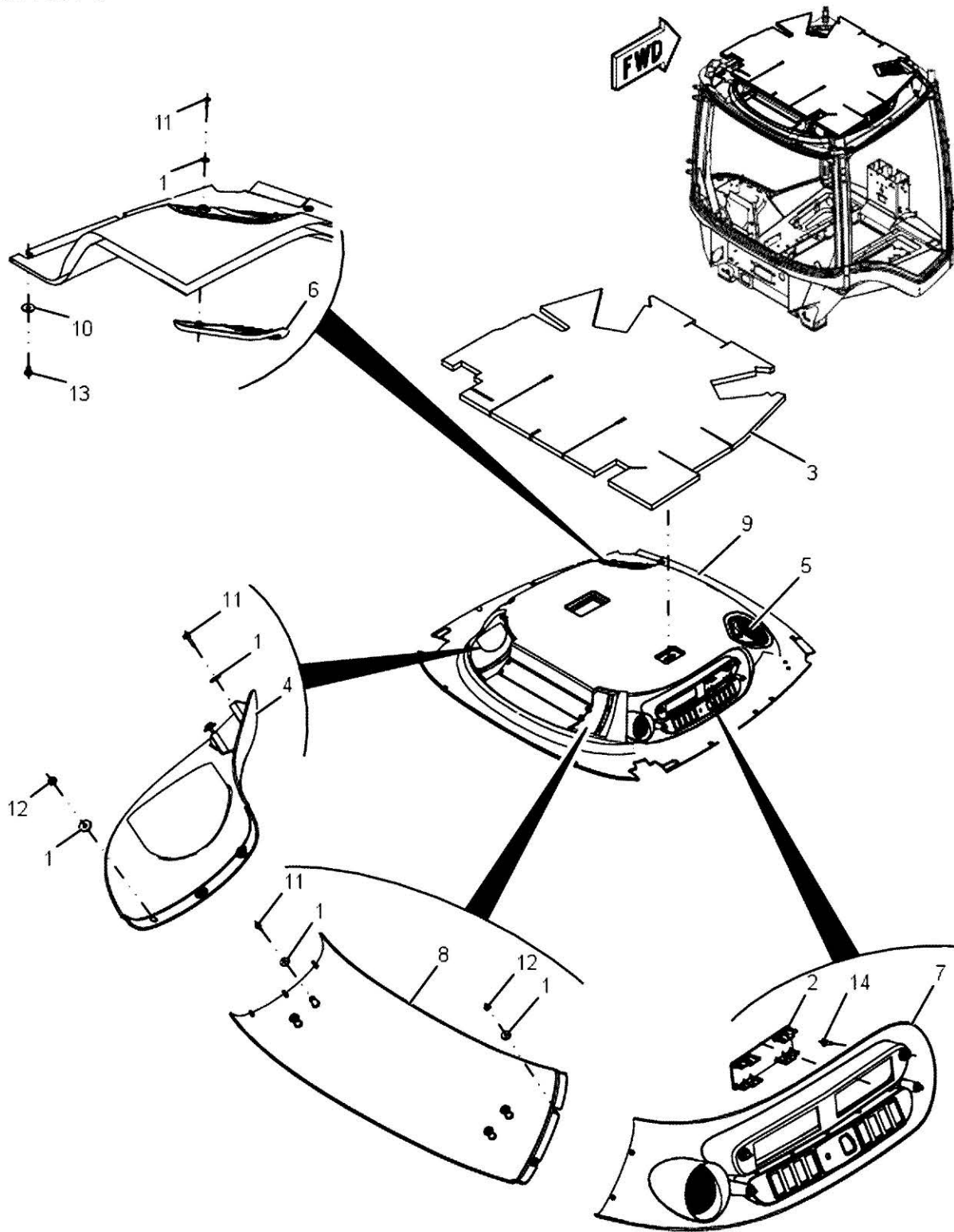


**513659D1 - CAB HEADLINER ASSEMBLY**

---

ITEM	PART NUMBER	QTY	DESCRIPTION COMMENTS	TECHNICAL SPECIFICATION
2	400128X1	2	COVER PLASTIC	
4	513519D1	1	COVER REAR	
5	513534D1	1	COVER	
6	513535D1	1	COVER	
7	513536D1	1	BEZEL	
8	513538D1	1	COVER REAR	
10	CH101-2867	10	FLAT WASHER	7.2MM ID X .25MM OD X 2MM
13	CH9X-2042	10	TORX HEAD SCREW	M6 X 1 X 12MM, T30
14	CH9X-2045	4	TORX HEAD SCREW	M6 X 1 X 20MM, T30

578719D1-3



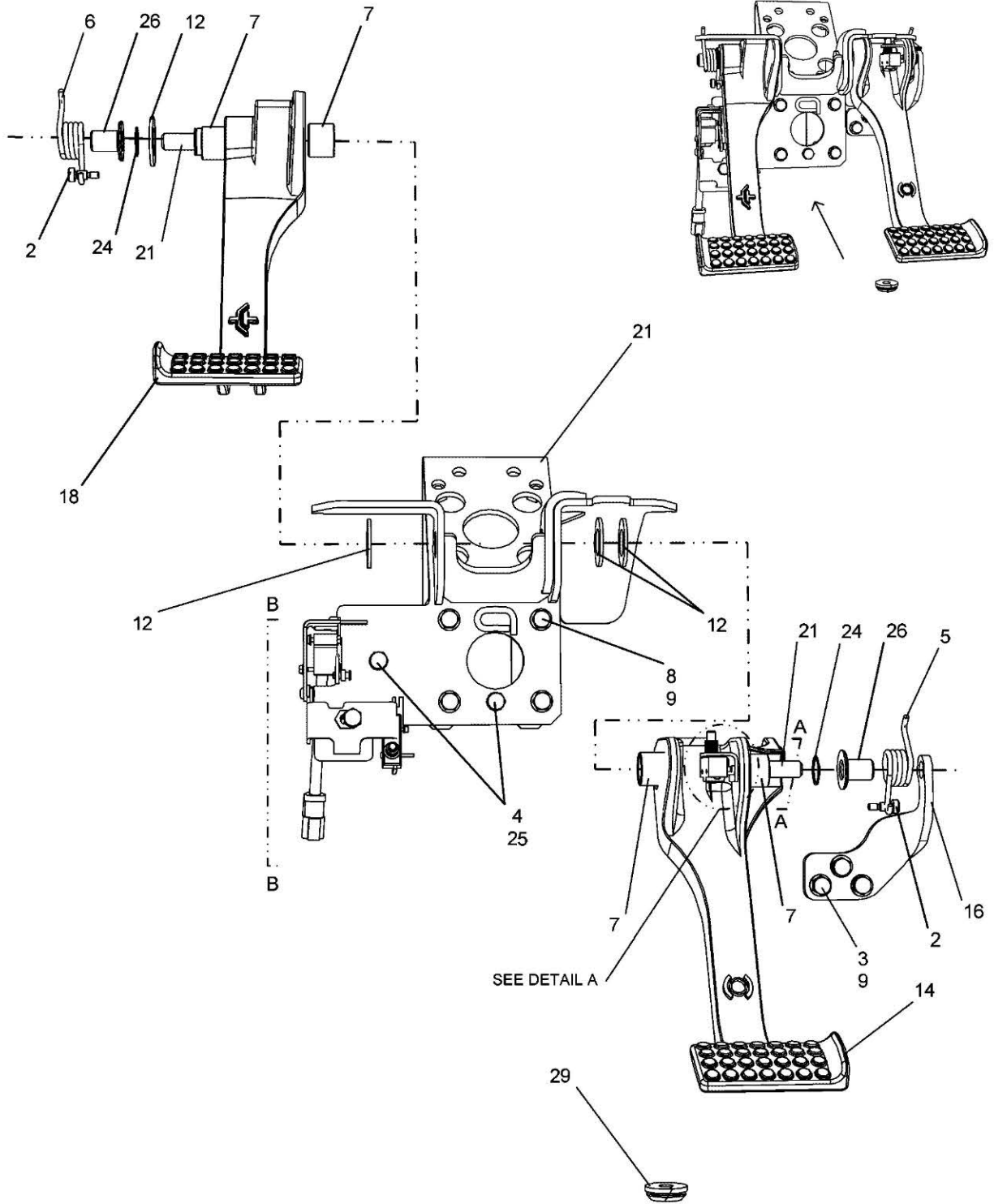
**578719D1 - CAB HEADLINER ASSEMBLY - 2016**

---

ITEM	PART NUMBER	QTY	DESCRIPTION COMMENTS	TECHNICAL SPECIFICATION
1	400076X1	15	FLAT WASHER	5IDX16ODX1.2MM ZN
2	400128X1	1	COVER	
3	502654D1	1	INSULATION	
4	513519D1	1	COVER	
5	513534D1	1	COVER	
6	513535D1	1	COVER	
7	513536D1	1	BEZEL	
8	513538D1	1	COVER	
9	578720D1	1	CAB HEADLINER	
10	402868X1	10	PLAIN WASHER	9MM X 30MM X 2MM
11	CH119-5026	10	PAN HEAD MACHINE SCREW	#10-16 X 16MM
12	CH4V-2264	5	PUSH-ON RETAINER	0.156" ID
13	CH9X-2042	10	TORX HEAD SCREW	M6 X 1 X 12MM, T30
14	CH9X-2045	4	TORX HEAD SCREW	M6 X 1 X 20MM, T30

520484D1 - BRAKE CONTROL GROUP, WITH CLUTCH

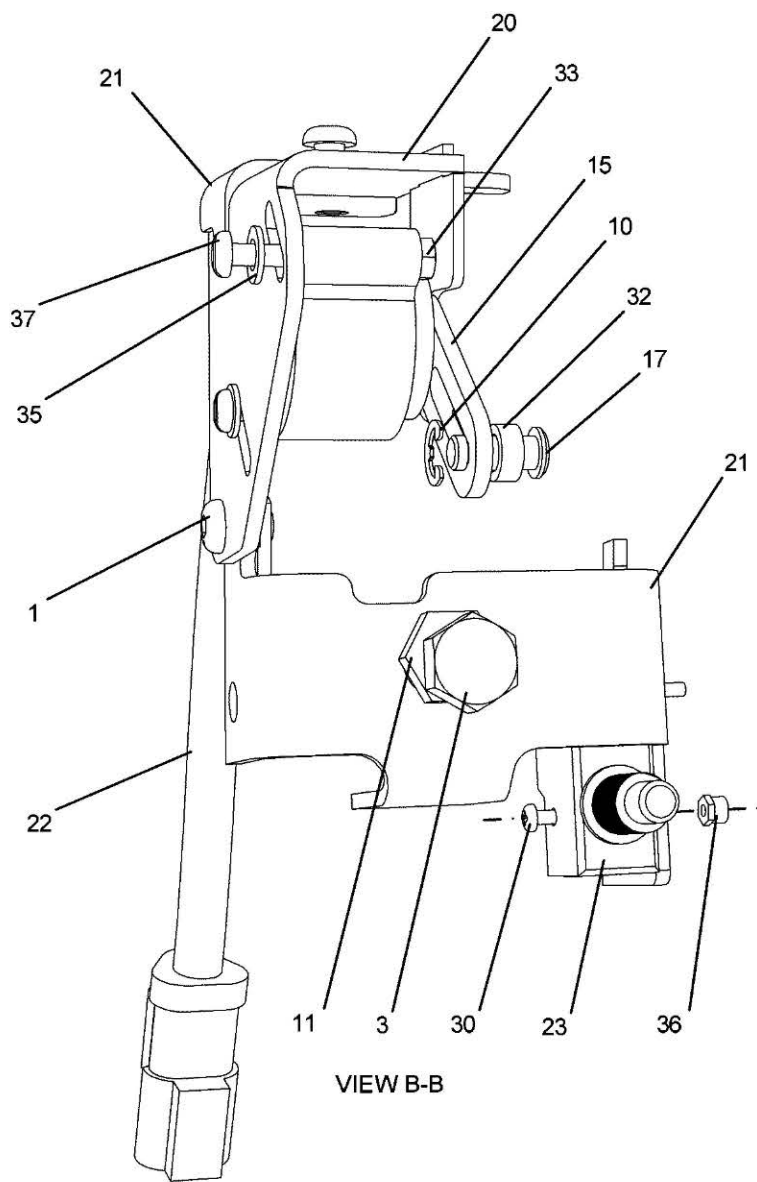
520484D1-6-Y174-01



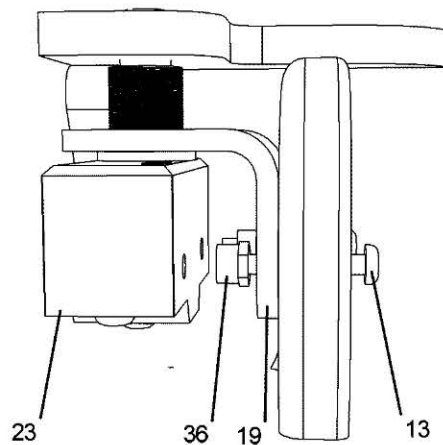
**520484D1 - BRAKE CONTROL GROUP, WITH CLUTCH**

ITEM	PART NUMBER	QTY	DESCRIPTION COMMENTS	TECHNICAL SPECIFICATION
2	400004X1	2	HEX SOCKET HEAD BOLT	M6 X 1 X 23MM
3	400039X1	1	HEXAGONAL HEAD BOLT	M10 X 1.5 X 25MM, CL10.9
4	400040X1	2	HEXAGONAL HEAD BOLT	M10 X 1.5 X 20MM, CL10.9
5	400120X1	1	TORSION SPRING	
6	400121X1	1	TORSION SPRING	
7	400124X1	4	SLEEVE	25.438MM ID X 25.4MM
8	400137X1	4	HEXAGONAL HEAD BOLT	M10 X 1.5 X 160MM, CL10.9
9	400287X1	4	FLAT WASHER	11MM X 21MM X 2.5MM
12	400970X1	4	FLAT WASHER	1.028" ID X 1.85" OD X 0.12"
14	500378D1	1	BRAKE PEDAL	
16	500493D2	1	MOUNTING PLATE	
18	501944D1	1	CLUTCH PEDAL	
21	506876D1	1	BRACKET	ASM
24	CH001-5600	2	RETAINING RING EXTERNAL	23.5MM ID X 1.1MM
25	CH124-7346	2	LOCK WASHER	APPX. 10.5MM ID X APPX.17MM OD
26	CH192-4767	2	PLASTIC BUSHING WITH LIP	16.3MM ID W/LIP
29	CH212-4443	1	GROMMET RUBBER	12.5MM ID X 32MM OD X 2.5MM

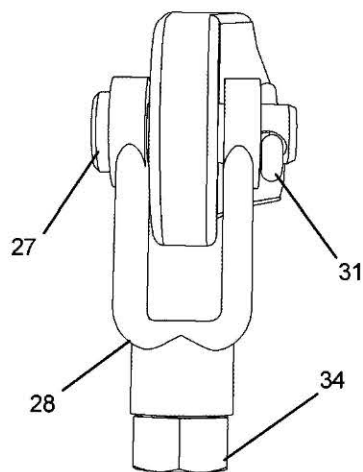
520484D1-6-Y174-02



VIEW B-B



DETAIL A

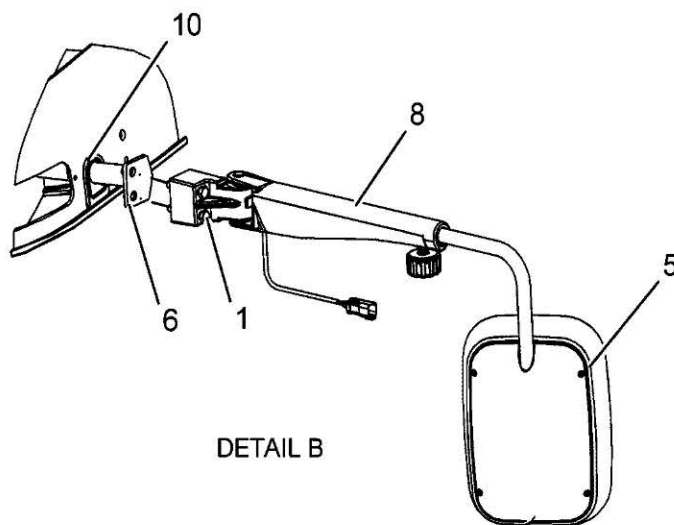
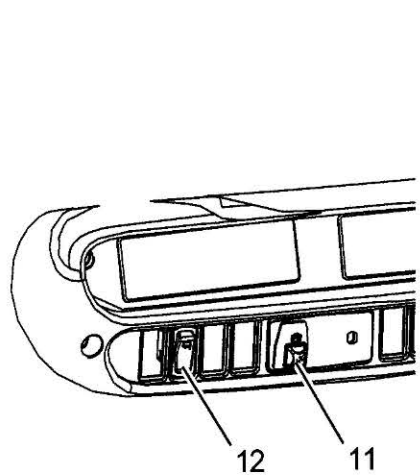
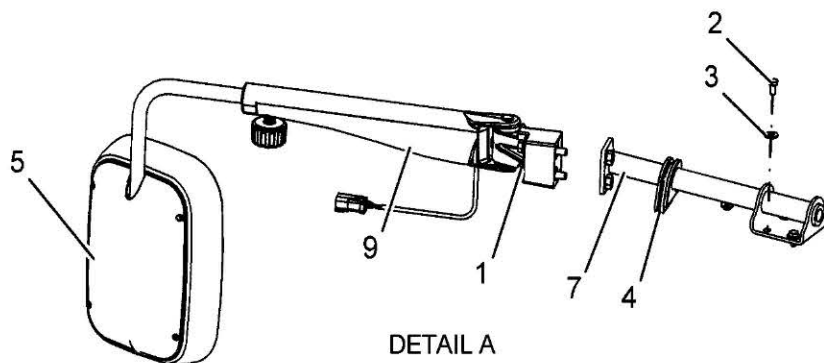
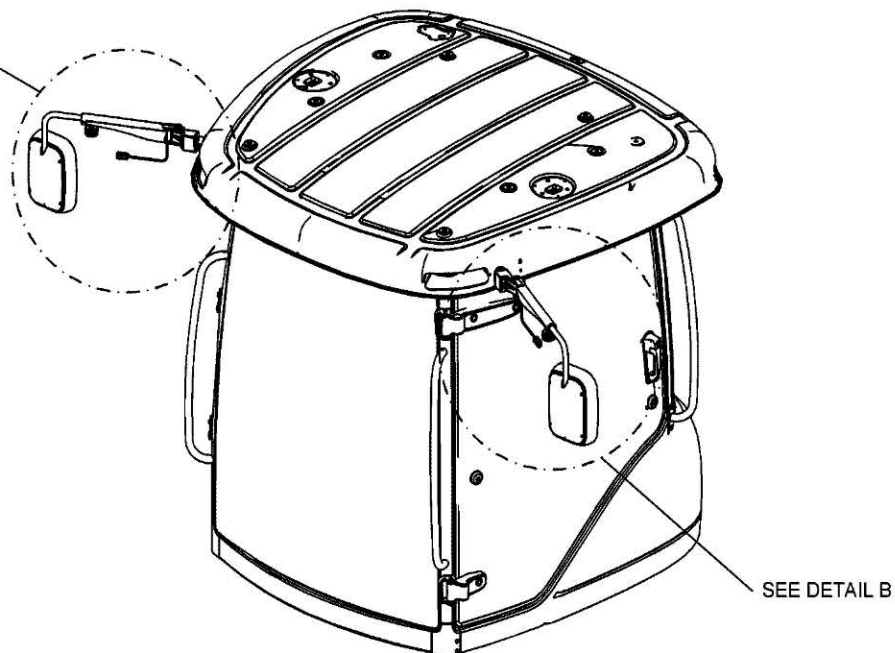


VIEW A-A

**520484D1 - BRAKE CONTROL GROUP, WITH CLUTCH**

ITEM	PART NUMBER	QTY	DESCRIPTION COMMENTS	TECHNICAL SPECIFICATION
1	AG520742	2	MACHINE SCREW	M6 X 1.0 X 10MM, CL10.9
3	400039X1	1	HEXAGONAL HEAD BOLT	M10 X 1.5 X 25MM, CL10.9
10	400553X1	1	E-CLIP	
11	400576X1	1	HEX NUT	M10 X 1.5
13	401368X1	2	CROSS RECESS PAN HEAD MACHINE SCREW	M3 X .5 X 20MM
15	500450D1	1	BRACKET	
17	500513D1	1	PIN	
19	506674D2	1	BRACKET	
20	506797D1	1	BRACKET INCH PEDAL SENSOR	
21	506876D1	1	BRACKET	ASM
22	536818D1	1	POSITION SENSOR	
23	544077D1	2	PLUNGER SWITCH	
27	CH1B-0676	1	PIN	
28	CH1F-5403	1	ROD END ADJUSTABLE	
30	CH216-9085	2	CROSS RECESS PAN HEAD MACHINE SCREW	M3 X 0.5 X 35MM
31	CH3B-4615	1	COTTER PIN	1/8" X 3/4"
32	CH4E-7808	1	SPACER	6.6MM ID X 10MM OD X 4MM
33	CH5C-8312	2	HEX NUT	M4 X 0.7
34	CH6V-8183	1	HEX NUT	3/8"-24
35	CH8T-0328	2	FLAT WASHER	5.5MM ID X 10MM OD X 1MM
36	CH8T-2658	4	HEX LOCKNUT	M3 X 0.5-6H
37	CH9X-2606	2	PAN HEAD MACHINE SCREW	M4 X .7 X 30MM

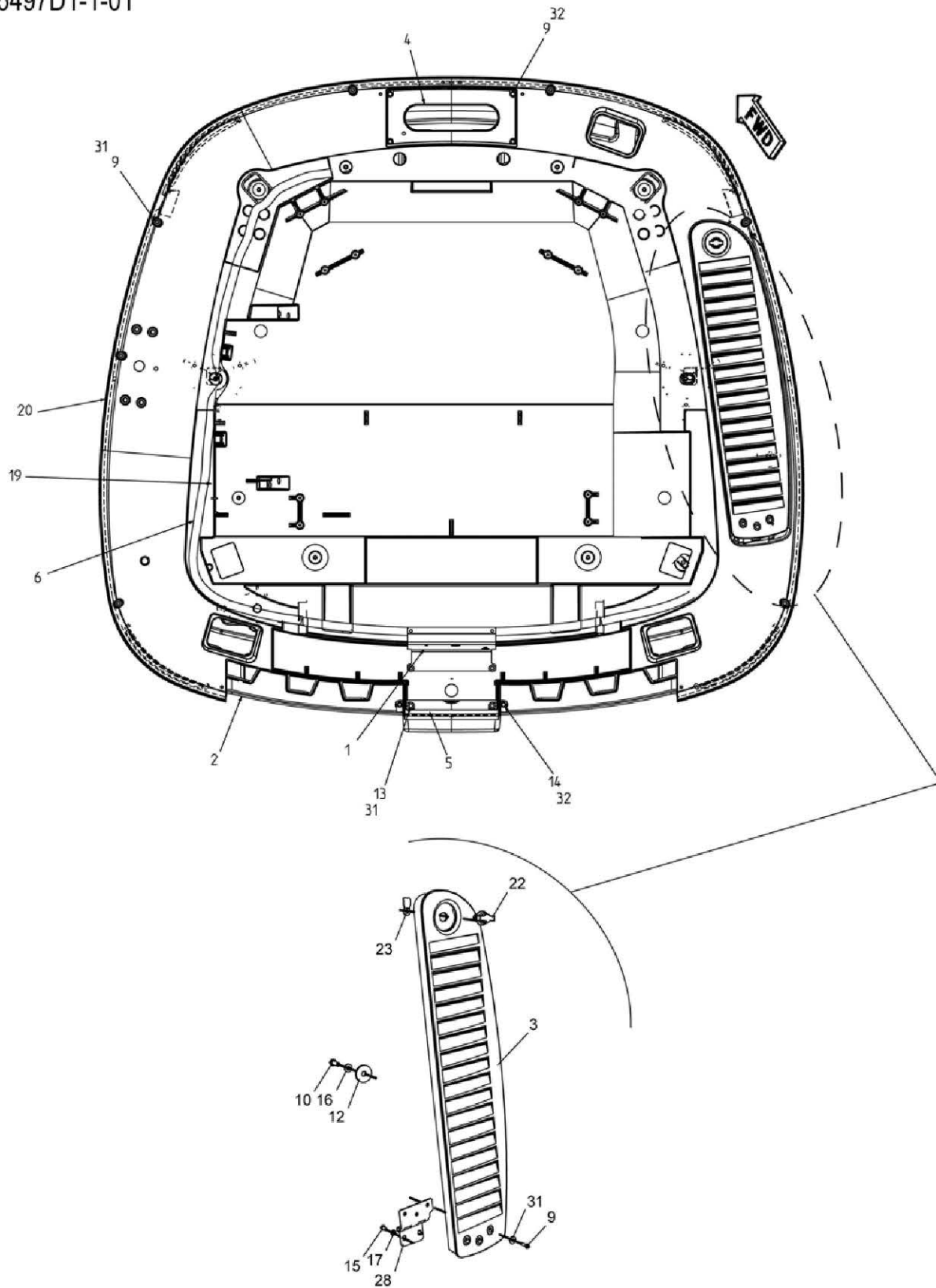
522552D1-3-Y476  
SEE DETAIL A



**522552D1 - MIRROR GROUP, ELECTRIC**

ITEM	PART NUMBER	QTY	DESCRIPTION COMMENTS	TECHNICAL SPECIFICATION
1	400066X1	4	HEXAGONAL HEAD BOLT	M10 X 1.5 X 70MM, CL10.9
2	400227X1	8	HEXAGONAL HEAD BOLT	M8X1.25 THD X 16 10.9
3	400599X1	8	FLAT WASHER	M8 X 20.5MM OD X 2MM THK
4	500610D1	1	GROMMET HANDRAIL	RH, 32.8MM ID
5	502888D1	2	SIDE MIRROR ELECTRIC	ELECTRIC
6	504969D1	1	MIRROR BRACKET, LEFT HAND	
7	505889D1	1	MIRROR BRACKET, RIGHT HAND	
8	507196D1	1	MIRROR ARM	
9	507197D1	1	ARM	
10	507661D1	1	GROMMET	LH, 32.8MM ID
11	4270273M1	1	SWITCH MIRROR ADJUST	
12	508328D1	1	ROCKER SWITCH HEATED MIRROR SWITCH	

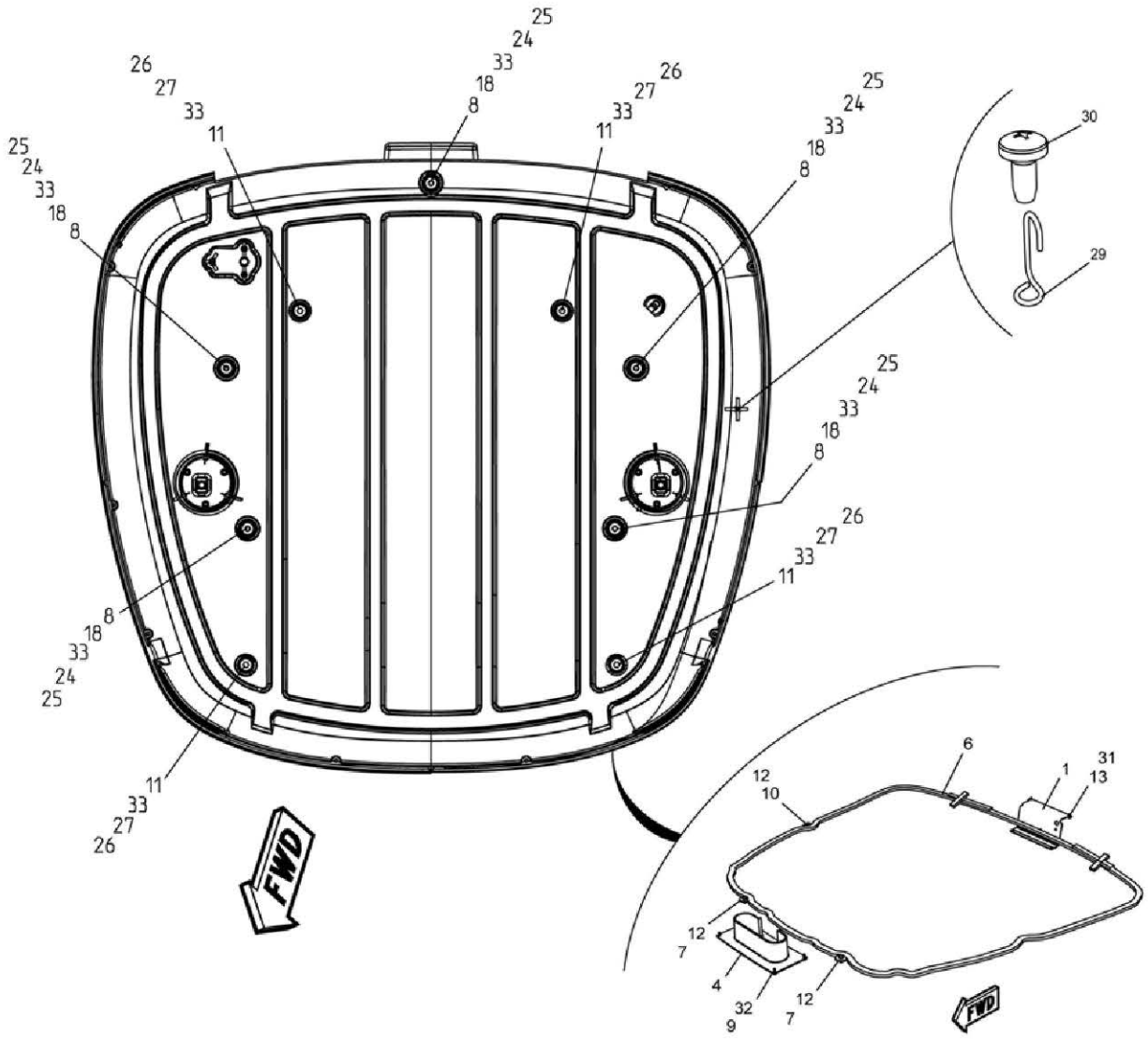
595497D1-1-01



595497D1 - CAB ROOF GROUP - 2016

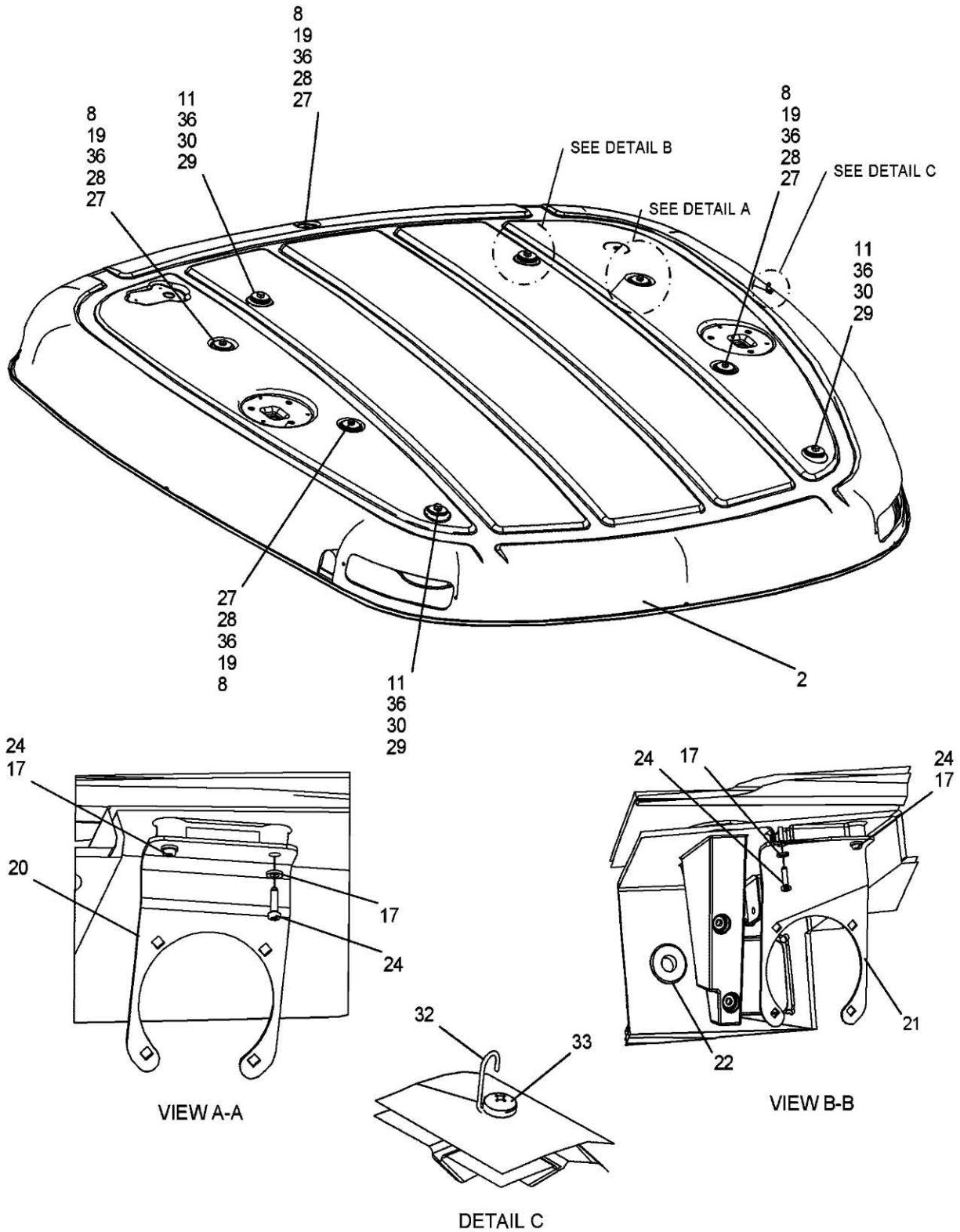
ITEM	PART NUMBER	QTY	DESCRIPTION COMMENTS	TECHNICAL SPECIFICATION
1	162-6654	1	PLATE	
2	162-6655	1	ROOF	
3	162-6693	1	FILTER DOOR	
4	168-2284	1	COVER	
5	179-4203	1	COVER	
6	217-2214	1	INSULATION	
9	400048X1	14	HEXAGONAL HEAD BOLT	M6 X 1 X 20MM, CL10.9, LK
10	400058X1	2	HEXAGONAL HEAD BOLT	M10 X 1.5 X 30MM
12	400119X1	4	SPACER	44ODX12IDX5
13	400152X1	4	HEXAGONAL HEAD BOLT	M6 X 1 X 16MM, CL10.9
14	400221X1	2	HEXAGONAL HEAD BOLT	M6 X 1 X 20MM, CL10.9
15	400227X1	2	HEXAGONAL HEAD BOLT	M8X1.25 THD X 16 10.9
16	400287X1	2	FLAT WASHER	11MM X 21MM X 2.5MM
17	400339X1	2	FLAT WASHER	9MM X 16MM X 2MM
19	523794D1	1	GROMMET	
20	525155D1	1	ROOF	
22	CH174-6381	1	LATCH	
23	CH179-3160	1	LATCH CAM	
28	CH195-2614	1	HINGE	
31	CH5P-4115	14	FLAT WASHER	7.2MM X 19MM X 2MM
32	CH8T-4205	6	FLAT WASHER	7.2MM X 14.5MM X 2MM

595497D1-1-02



ITEM	PART NUMBER	QTY	DESCRIPTION COMMENTS	TECHNICAL SPECIFICATION
1	162-6654	1	PLATE	
4	168-2284	1	COVER	
6	217-2214	1	INSULATION	
7	400040X1	2	HEXAGONAL HEAD BOLT	M10 X 1.5 X 20MM, CL10.9
8	400042X1	5	HEXAGONAL HEAD BOLT	M8 X 1.25 X 35MM, CL10.9
9	400048X1	14	HEXAGONAL HEAD BOLT	M6 X 1 X 20MM, CL10.9, LK
10	400058X1	2	HEXAGONAL HEAD BOLT	M10 X 1.5 X 30MM
11	400066X1	4	HEXAGONAL HEAD BOLT	M10 X 1.5 X 70MM, CL10.9
12	400119X1	4	SPACER	44ODX12IDX5
13	400152X1	4	HEXAGONAL HEAD BOLT	M6 X 1 X 16MM, CL10.9
18	401097X1	5	SEALING WASHER	15.87MM OD X 2.66MM
24	CH195-2600	5	GROMMET	17.3MM ID X 27MM OD X 7.35MM
25	CH195-2607	5	SPACER	11MM ID X 18MM OD X 45MM OD
26	CH195-2608	4	SPACER	11MM ID X 18MM OD X 56MM OD
27	CH195-2609	4	GROMMET	17.3MM ID X 27MM OD X 7.35MM
29	CH196-2881	1	CLIP	
30	CH217-5909	1	SELF-TAPPING SCREW	1/4"-15 X 12.7MM
31	CH5P-4115	14	FLAT WASHER	7.2MM X 19MM X 2MM
32	CH8T-4205	6	FLAT WASHER	7.2MM X 14.5MM X 2MM
33	CH8T-4226	9	FLAT WASHER	10.5MM X 45MM X 3MM

523792D1-01-R875-01



**523792D1 - CAB ROOF GROUP, NON CE**

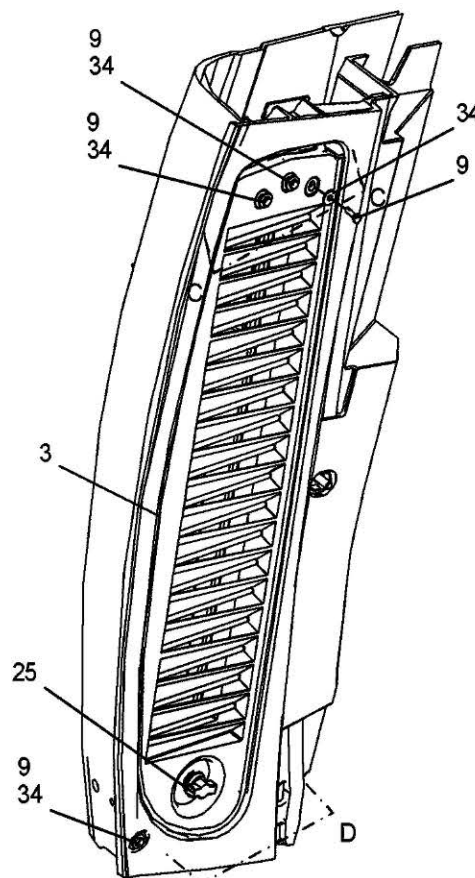
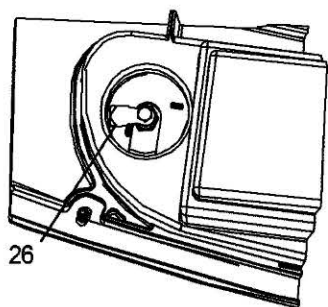
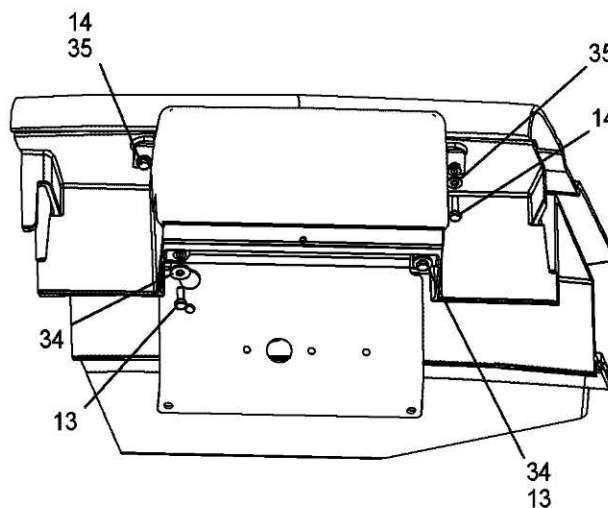
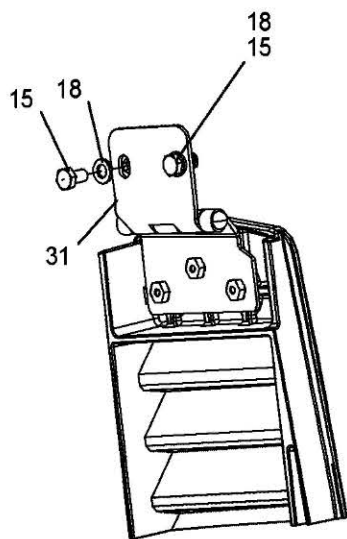
ITEM	PART NUMBER	QTY	DESCRIPTION COMMENTS	TECHNICAL SPECIFICATION
2	162-6655	1	ROOF NON - CE (NOT CERTIFIED EUROPE)	
8	400042X1	5	HEXAGONAL HEAD BOLT	M8 X 1.25 X 35MM, CL10.9
11	400066X1	4	HEXAGONAL HEAD BOLT	M10 X 1.5 X 70MM, CL10.9
17	400310X1	4	FLAT WASHER	6.6MM ID X 12MM OD X 2MM
19	401097X1	5	SEALING WASHER	15.87MM OD X 2.66MM
20	502321D2	1	BRACKET REAR	REAR SPEAKER
21	502322D2	1	BRACKET REAR	REAR SPEAKER
22	523794D1	1	GROMMET	
24	CH110-2028	4	TORX HEAD SCREW	#10-14 X 19MM
27	CH195-2600	5	GROMMET	17.3MM ID X 27MM OD X 7.35MM
28	CH195-2607	5	SPACER	11MM ID X 18MM OD X 45MM OD
29	CH195-2608	4	SPACER	11MM ID X 18MM OD X 56MM OD
30	CH195-2609	4	GROMMET RUBBER	17.3MM ID X 27MM OD X 7.35MM
32	CH196-2881	1	CLIP	
33	CH217-5909	1	SELF-TAPPING SCREW	1/4"-15 X 12.7MM
36	CH8T-4226	9	FLAT WASHER	10.5MM X 45MM X 3MM



**523792D1 - CAB ROOF GROUP, NON CE**

ITEM	PART NUMBER	QTY	DESCRIPTION COMMENTS	TECHNICAL SPECIFICATION
	525482D1	X	ADHESIVE USE AS REQUIRED NOT SHOWN	
1	162-6654	1	PLATE WIPER, REAR	
4	168-2284	1	COVER WIPER, FRONT	
5	179-4203	1	COVER REAR	
6	NS	1	NON-SERVICEABLE PART SEE PAGE 10-0072	
7	400040X1	2	HEXAGONAL HEAD BOLT	M10 X 1.5 X 20MM, CL10.9
8	400042X1	5	HEXAGONAL HEAD BOLT	M8 X 1.25 X 35MM, CL10.9
9	400048X1	14	HEXAGONAL HEAD BOLT	M6 X 1 X 20MM, CL10.9, LK
10	400058X1	2	HEXAGONAL HEAD BOLT	M10 X 1.5 X 30MM
11	400066X1	4	HEXAGONAL HEAD BOLT	M10 X 1.5 X 70MM, CL10.9
12	400119X1	4	SPACER	44ODX12IDX5
16	400287X1	2	FLAT WASHER	11MM X 21MM X 2.5MM
19	401097X1	5	SEALING WASHER	15.87MM OD X 2.66MM
21	502322D2	1	BRACKET REAR	REAR SPEAKER
23	525155D1	1	ROOF SEE PAGE 10-0073	
27	CH195-2600	5	GROMMET	17.3MM ID X 27MM OD X 7.35MM
28	CH195-2607	5	SPACER	11MM ID X 18MM OD X 45MM OD
29	CH195-2608	4	SPACER	11MM ID X 18MM OD X 56MM OD
30	CH195-2609	4	GROMMET RUBBER	17.3MM ID X 27MM OD X 7.35MM
34	CH5P-4115	14	FLAT WASHER	7.2MM X 19MM X 2MM
35	CH8T-4205	6	FLAT WASHER	7.2MM X 14.5MM X 2MM
36	CH8T-4226	9	FLAT WASHER	10.5MM X 45MM X 3MM

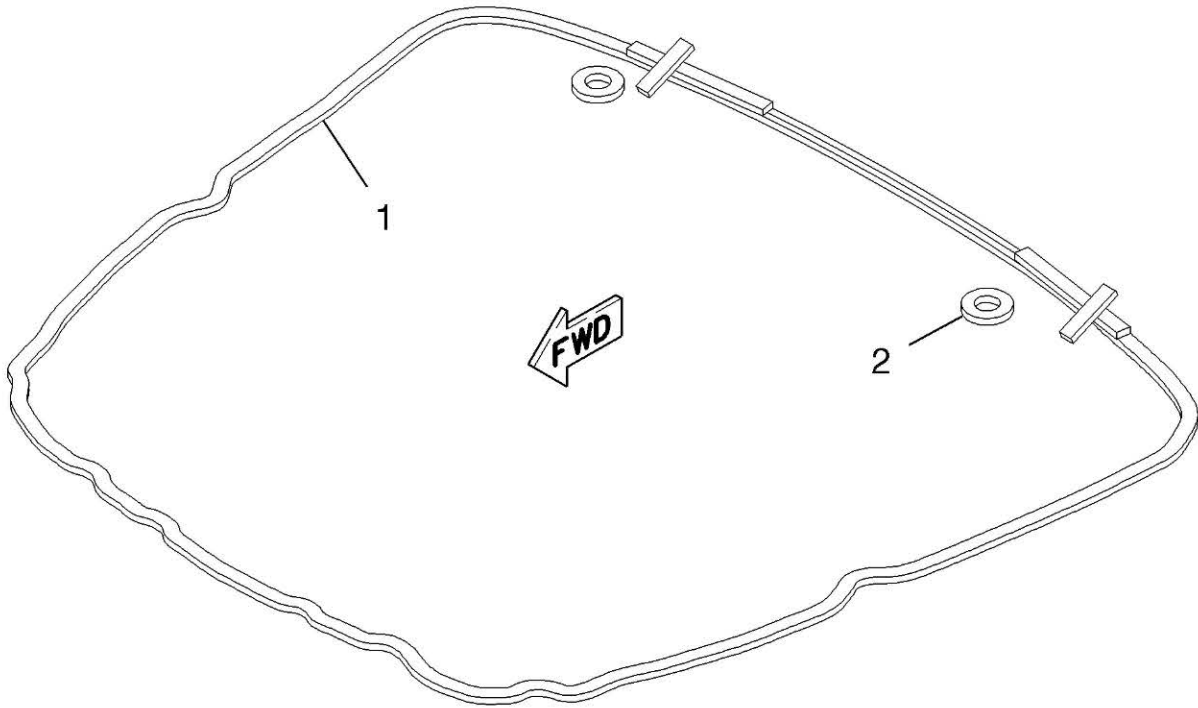
523792D1-01-R875-03



**523792D1 - CAB ROOF GROUP, NON CE**

ITEM	PART NUMBER	QTY	DESCRIPTION COMMENTS	TECHNICAL SPECIFICATION
3	162-6693	1	FILTER DOOR	
9	400048X1	14	HEXAGONAL HEAD BOLT	M6 X 1 X 20MM, CL10.9, LK
13	400152X1	4	HEXAGONAL HEAD BOLT	M6 X 1 X 16MM, CL10.9
14	400221X1	2	HEXAGONAL HEAD BOLT	M6 X 1 X 20MM, CL10.9
15	400227X1	2	HEXAGONAL HEAD BOLT	M8X1.25 THD X 16 10.9
18	400339X1	2	FLAT WASHER	9MM X 16MM X 2MM
25	CH174-6381	1	LATCH	
26	CH179-3160	1	LATCH CAM	
31	CH195-2614	1	HINGE FILTER DOOR	
34	CH5P-4115	14	FLAT WASHER	7.2MM X 19MM X 2MM
35	CH8T-4205	6	FLAT WASHER	7.2MM X 14.5MM X 2MM

217-2214-02

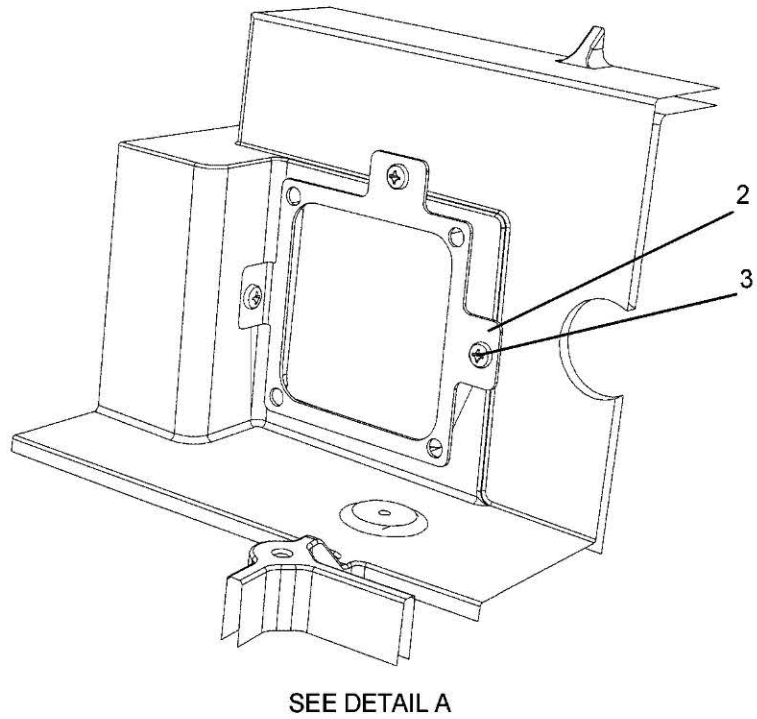
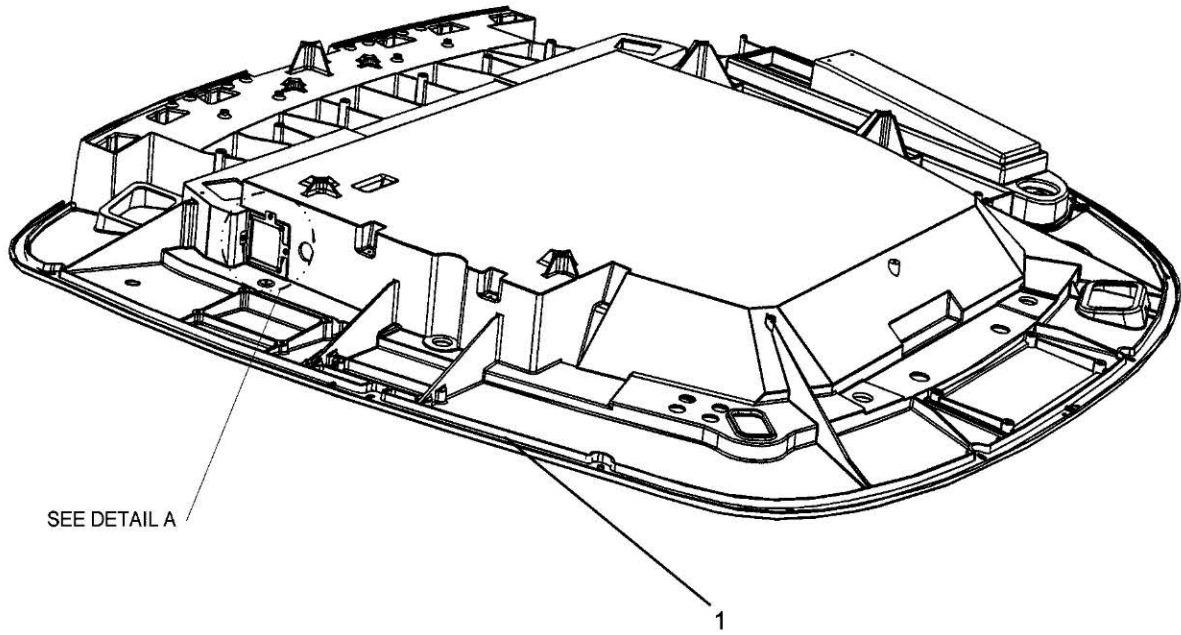


**217-2214 - WEATHER INSULATION GROUP**

---

ITEM	PART NUMBER	QTY	DESCRIPTION COMMENTS	TECHNICAL SPECIFICATION
1	CH217-2130	1	FOAM SEAL ADHESIVE BACK	24MM X 7620MM X 12MM
2	CH217-2131	2	SEAL	38.1MM ID X 76.2MM OD X 12MM

525155D1-01-R875

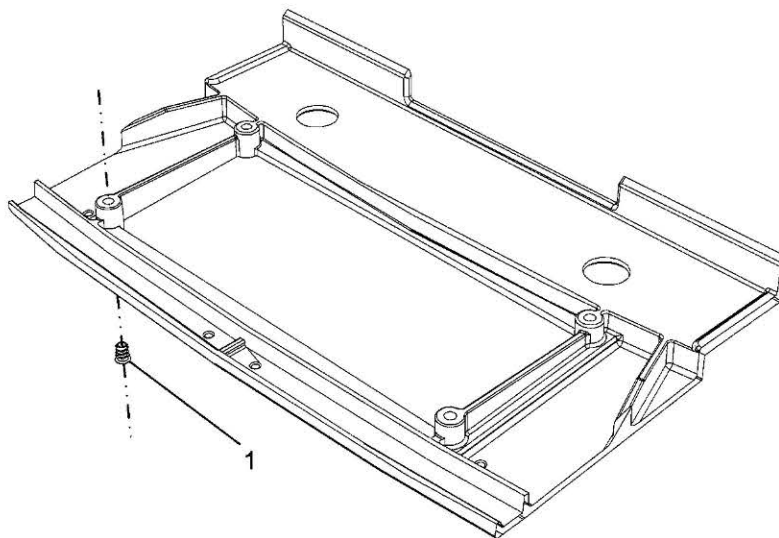
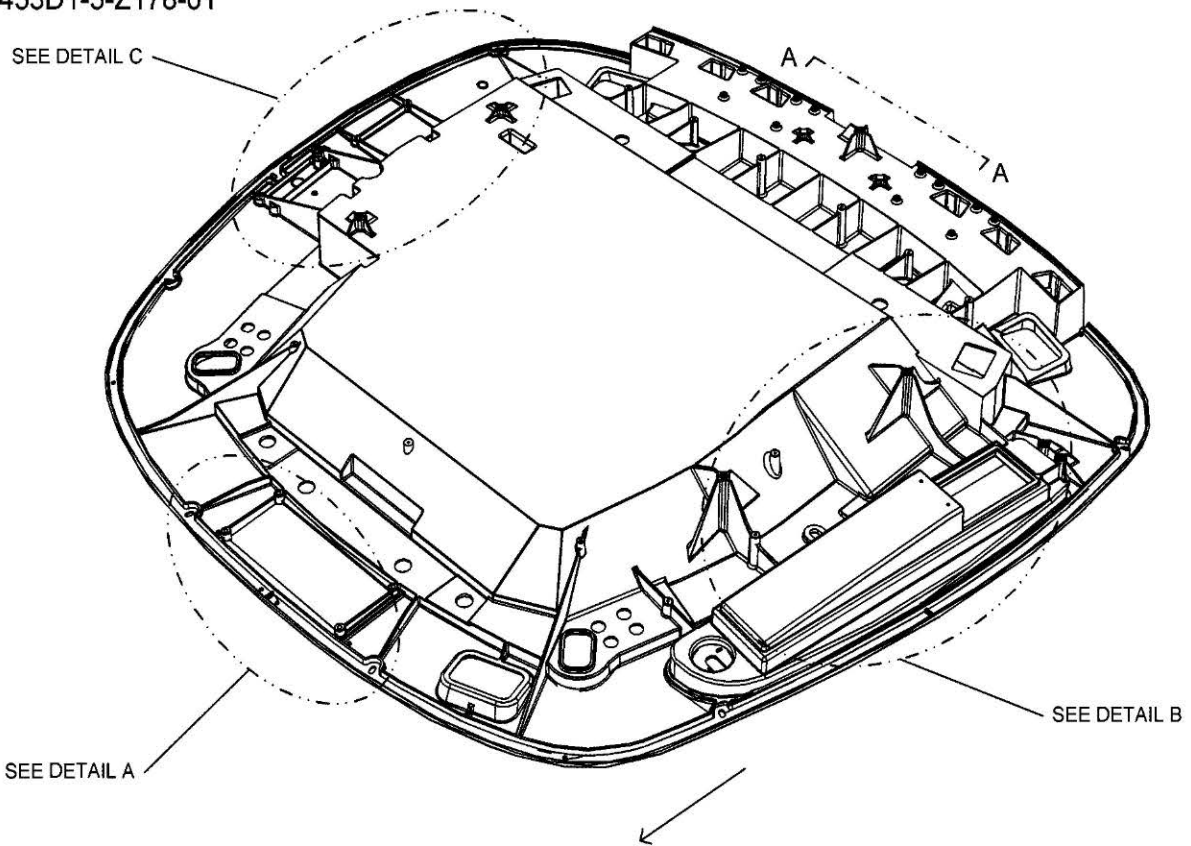


**525155D1 - ROOF ASSEMBLY, INNER**

---

ITEM	PART NUMBER	QTY	DESCRIPTION COMMENTS	TECHNICAL SPECIFICATION
1	598862D1	1	INNER ROOF	INNER
2	525153D1	1	PLATE MOUNTING	
3	CH8T-9501	3	PAN HEAD MACHINE SCREW	#10-16 X 19.05MM

505453D1-5-Z178-01

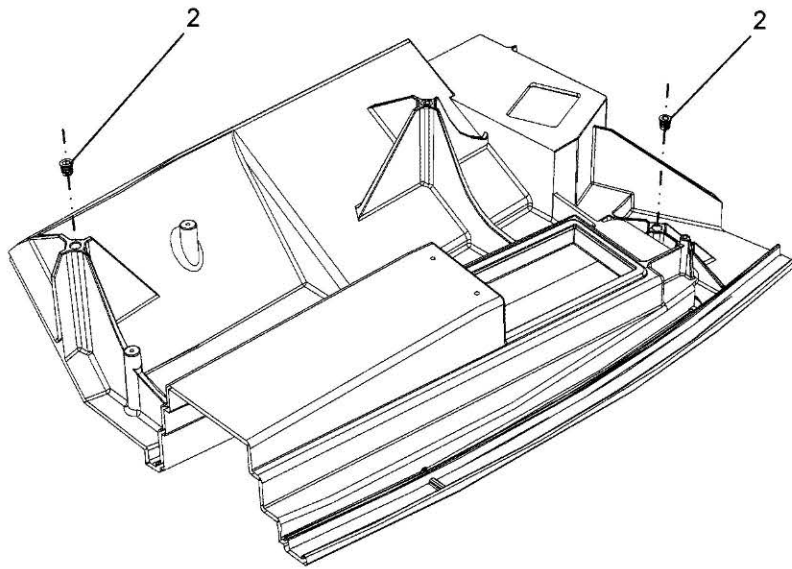


**505453D1 - ROOF ASSEMBLY, INNER**

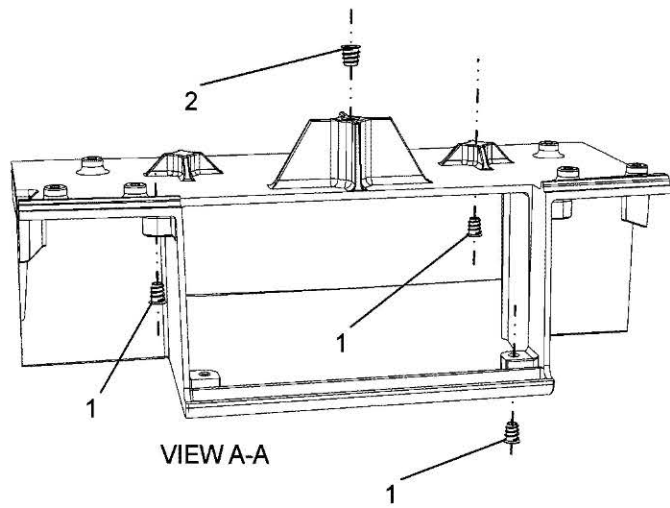
---

ITEM	PART NUMBER	QTY	DESCRIPTION COMMENTS	TECHNICAL SPECIFICATION
			<b>SUPERSEDED BY 598862D1</b>	
1	CH216-7617	14	THREADED INSERT	M6 X 1

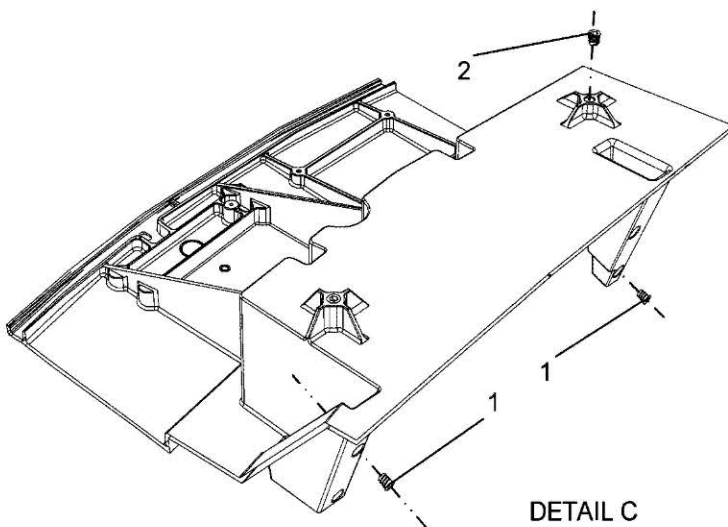
505453D1-5-Z178-02



DETAIL B



VIEW A-A



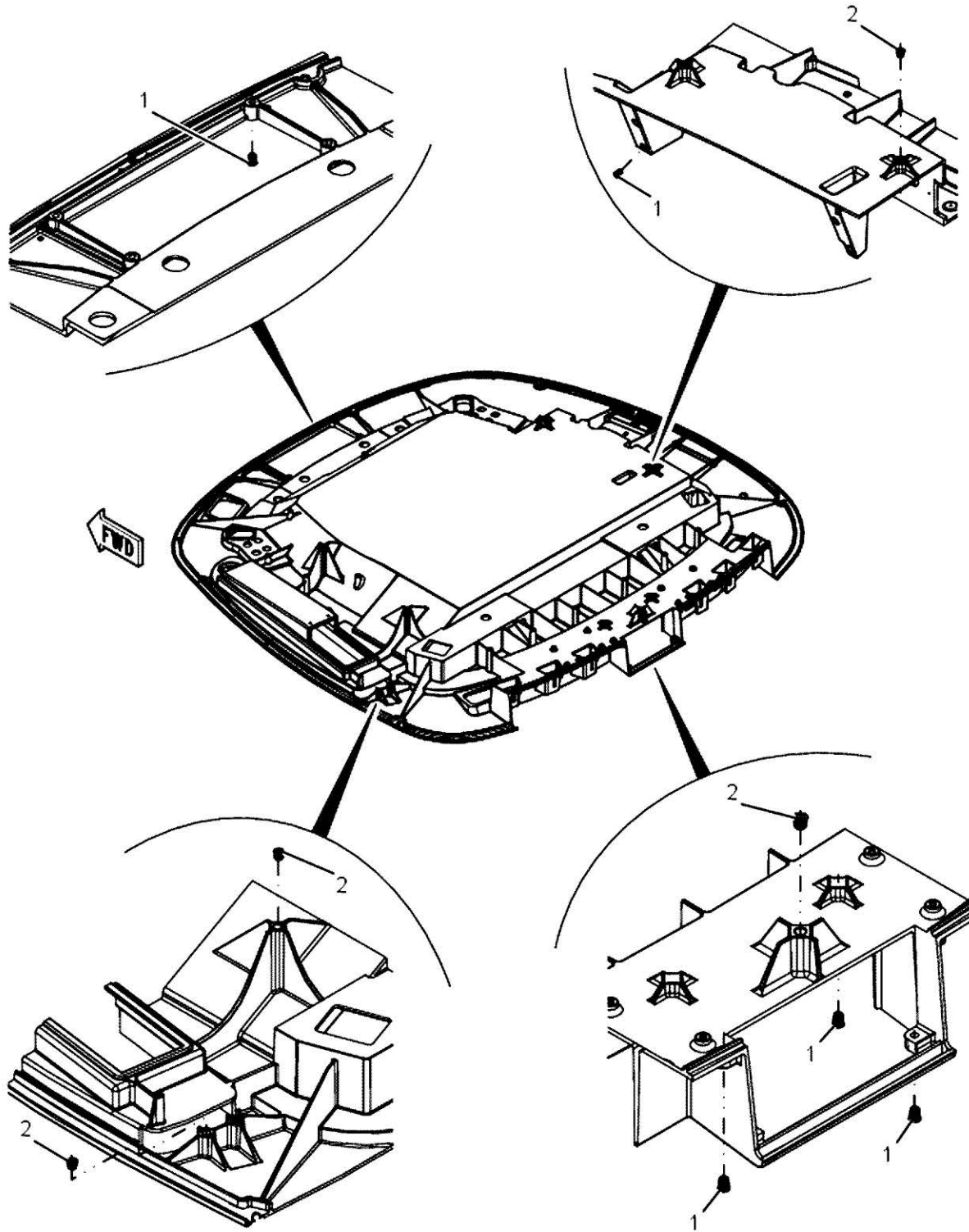
DETAIL C

**505453D1 - ROOF ASSEMBLY, INNER**

---

ITEM	PART NUMBER	QTY	DESCRIPTION COMMENTS	TECHNICAL SPECIFICATION
			<b>SUPERSEDED BY 598862D1</b>	
1	CH216-7617	14	THREADED INSERT	M6 X 1
2	CH222-4435	7	THREADED INSERT	M8 X 1.25

598862D1-1-

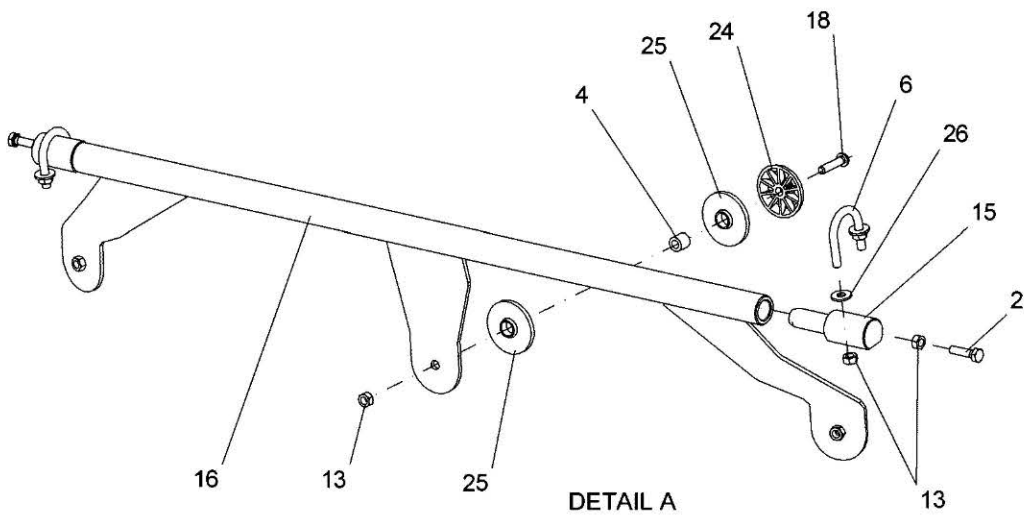
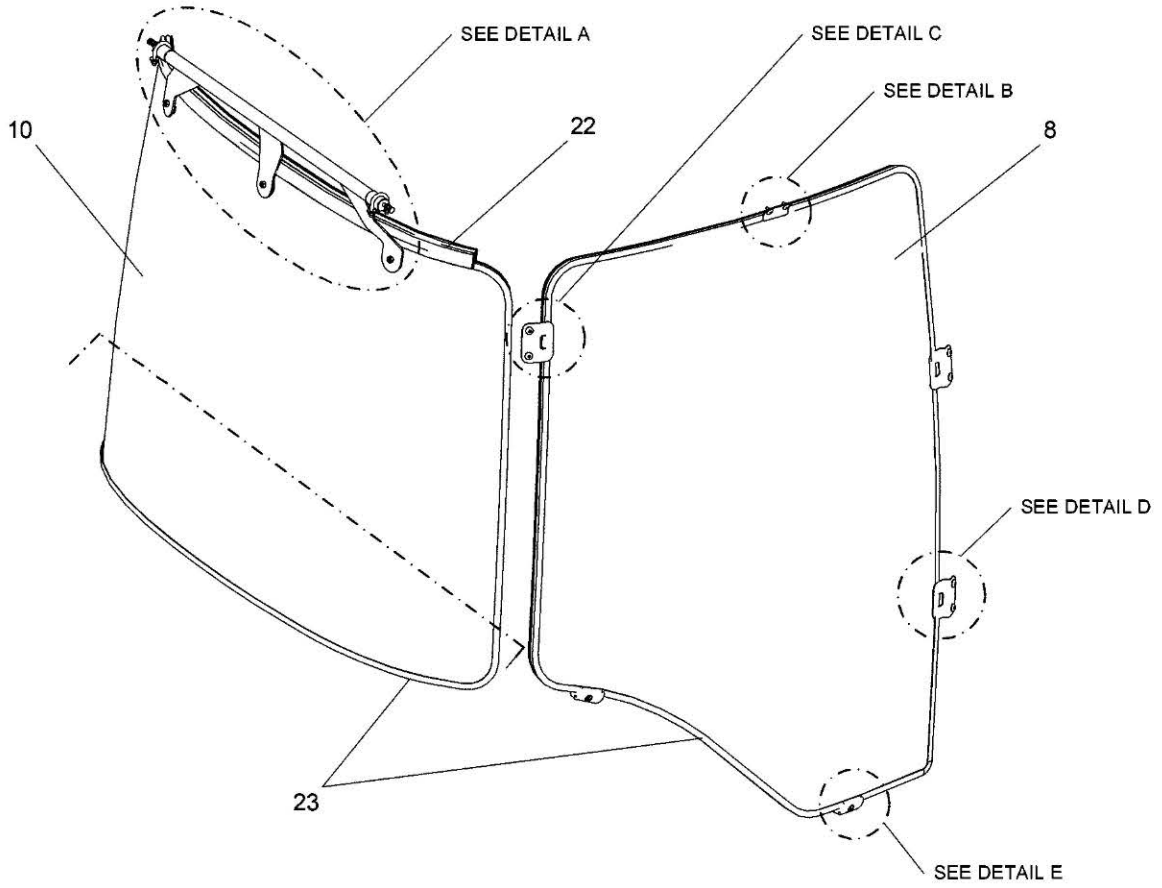


**598862D1 - ROOF ASSEMBLY, INNER**

---

ITEM	PART NUMBER	QTY	DESCRIPTION COMMENTS	TECHNICAL SPECIFICATION
1	CH216-7617	14	THREADED INSERT	M6 X 1
2	CH222-4435	7	THREADED INSERT	M8 X 1.25

151-9994-11-Y046-01

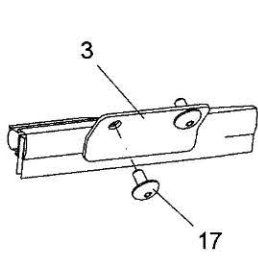


**151-9994 - WINDSHIELD GLASS GROUP**

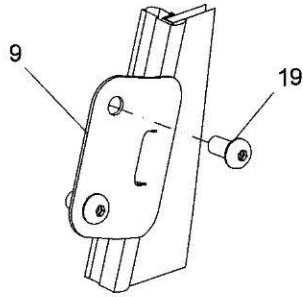
---

ITEM	PART NUMBER	QTY	DESCRIPTION COMMENTS	TECHNICAL SPECIFICATION
2	CH160-8756	2	HEXAGONAL HEAD BOLT	M8 X 1.25 X 30
4	CH169-6377	3	BUSHING WINDOW	
6	CH151-9989	2	CLAMP	
8	151-9984	1	GLASS, RIGHT HAND	
10	151-9979	1	REAR WINDOW GLASS	
	151-9982	1	WINDOW GLASS	
	169-6328	1	REAR WINDOW HANDLE	
13	400340X1	9	HEX NUT	M8 X 1.25MM X 13MM
15	151-8541	2	HINGE PIN	
16	151-8545	1	WINDOW HINGE HINGE, REAR	
18	CH142-2304	5	HEX SOCKET BUTTON HEAD BOLT	M8 X 1.25 X 35MM
22	207-2036	1	SEAL	
23	CH208-2404		BULK SEAL BULK: 1010 CM	1010CM
24	400333X1	3	WASHER	
25	400330X1	6	FLAT WASHER	15MM ID
26	400599X1	4	FLAT WASHER	M8 X 20.5MM OD X 2MM THK

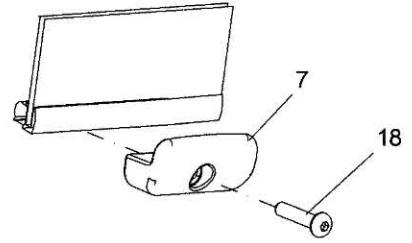
151-9994-11-Y046-02



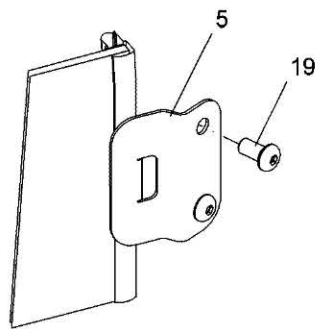
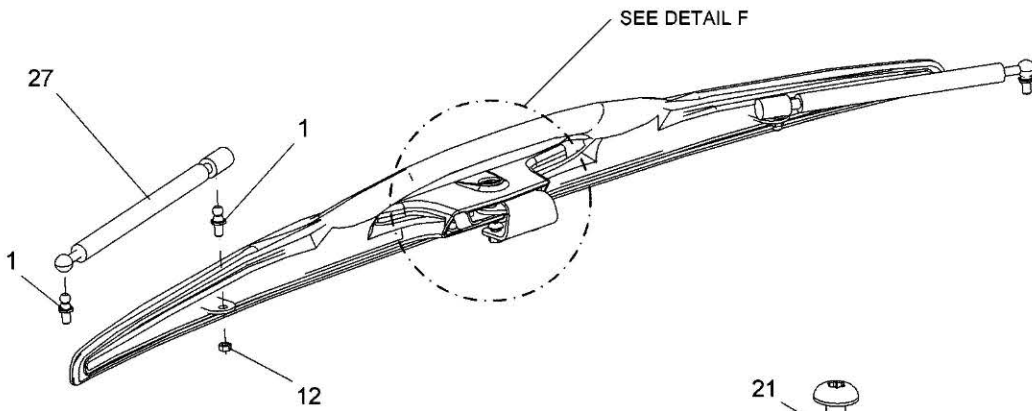
DETAIL B



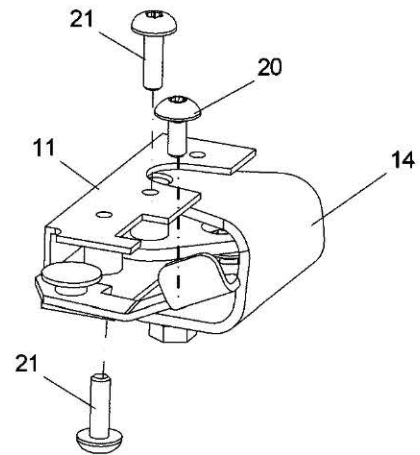
DETAIL C



DETAIL E



DETAIL D



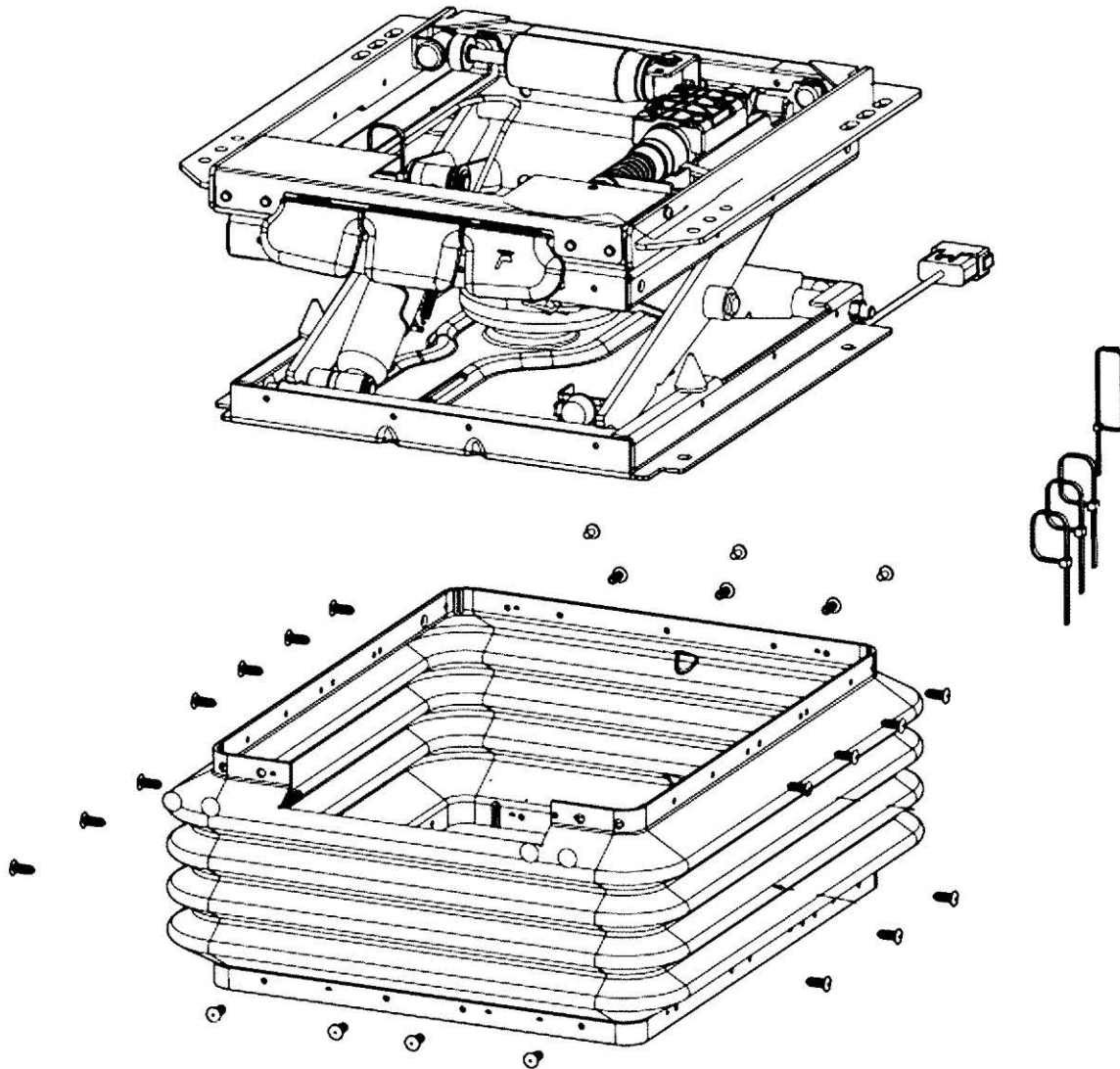
DETAIL F

**151-9994 - WINDSHIELD GLASS GROUP**

---

ITEM	PART NUMBER	QTY	DESCRIPTION COMMENTS	TECHNICAL SPECIFICATION
1	547711D1	4	BALL STUD	M8 X 1.25
3	501051D1	1	MOUNTING BRACKET	
5	166-4570	2	CLAMP	
7	CH168-2309	2	CLAMP LOWER	
9	166-4568	1	CLAMP	
11	CH170-1445	1	REAR WINDOW LATCH REAR	
12	400300X1	2	HEX NUT	M6 X 1
14	169-6399	1	PLATE	
17	CH8T-3992	2	HEX SOCKET BUTTON HEAD BOLT	M6 X 1 X 12
18	CH142-2304	5	HEX SOCKET BUTTON HEAD BOLT	M8 X 1.25 X 35MM
19	CH8C-8585	6	HEX SOCKET BUTTON HEAD BOLT	M10 X 1.5 X 20MM
20	CH9X-2043	2	TORX HEAD SCREW	M6 X 1 X 14MM, T30
21	CH9X-2045	3	TORX HEAD SCREW	M6 X 1 X 20MM, T30
27	CH172-6862	2	GAS SPRING	

570453D1-01-01

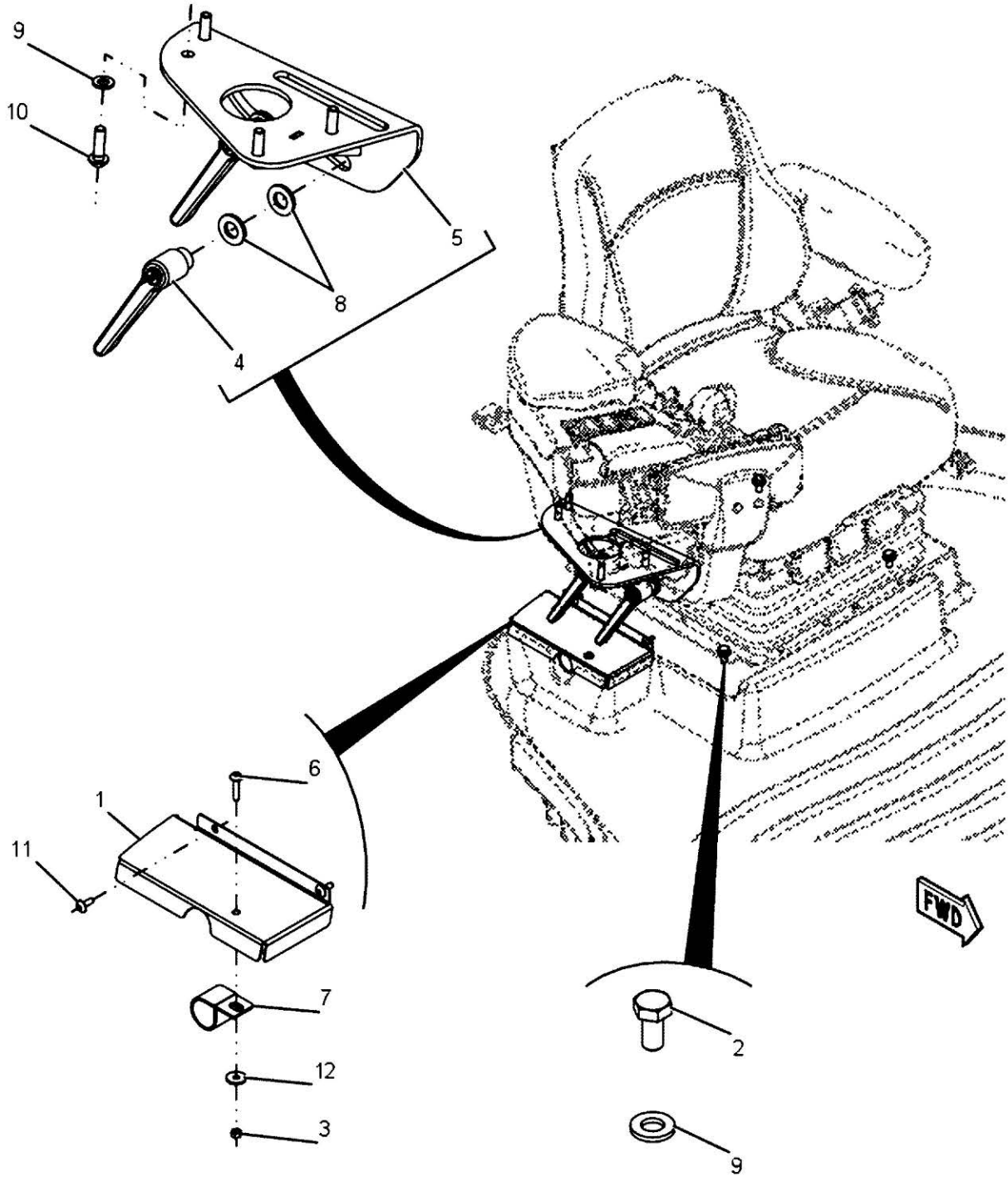


**570453D1 - A2000 PASSIVE SUSPENSION SERVICE KIT**

---

ITEM	PART NUMBER	QTY	DESCRIPTION COMMENTS	TECHNICAL SPECIFICATION
	NS	1	<b>THIS PAGE IS TO SHOW WHAT IS INCLUDED IN THE KIT</b> NON-SERVICEABLE PART SEE PAGE 10-0085	

570927D1-2-AA403

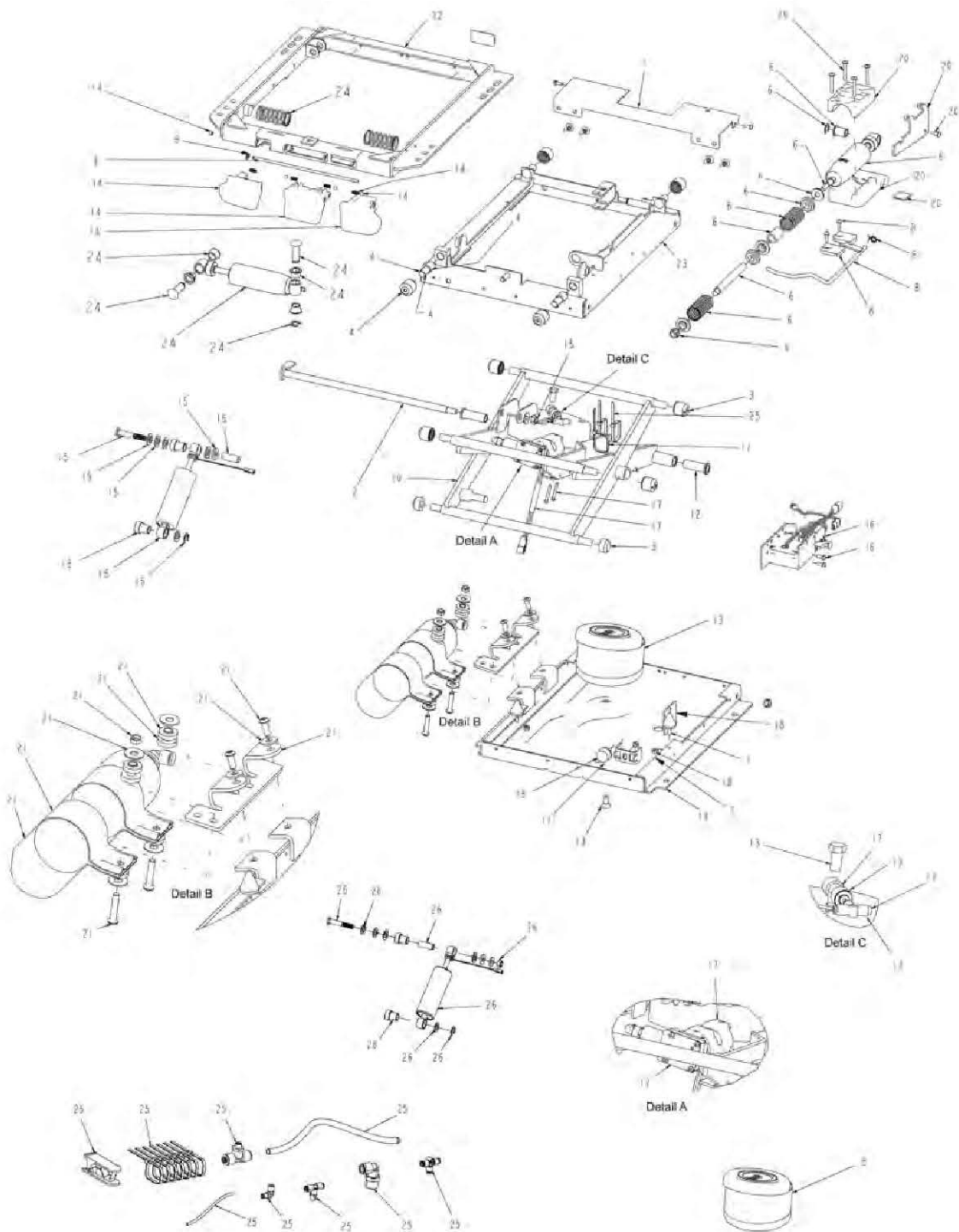


**570927D1 - CONSOLE MOUNT, RIGHT HAND**

ITEM	PART NUMBER	QTY	DESCRIPTION COMMENTS	TECHNICAL SPECIFICATION
1	178-7952	1	BRACKET	
2	400040X1	4	HEXAGONAL HEAD BOLT	M10 X 1.5 X 20MM, CL10.9
3	400300X1	1	HEX NUT	M6 X 1
4	500854D1	2	ADJUSTMENT LEVER	
5	521653D1	1	MOUNTING BRACKET	
6	CH111-4627	1	TRUSS HEAD SCREW	M6 X 1 X 30MM
7	CH4D-7388	1	P-CLIP	34.9MM ID
8	CH5P-8247	4	FLAT WASHER	17MM ID X 32MM OD X 3.5MM
9	CH6V-5839	8	FLAT WASHER	11MM ID X 21MM OD X 2.5MM
10	CH9X-2039	4	TORX HEAD SCREW	M10 X 1.5 X 35MM
11	CH9X-2044	2	TORX HEAD SCREW	M6 X 1 X 16MM, T30
12	CH9X-6165	1	FLAT WASHER	6.5MM ID X 22MM OD X 2.5MM

571223D1 - SEMI ACTIVE SEAT SUSPENSION KIT

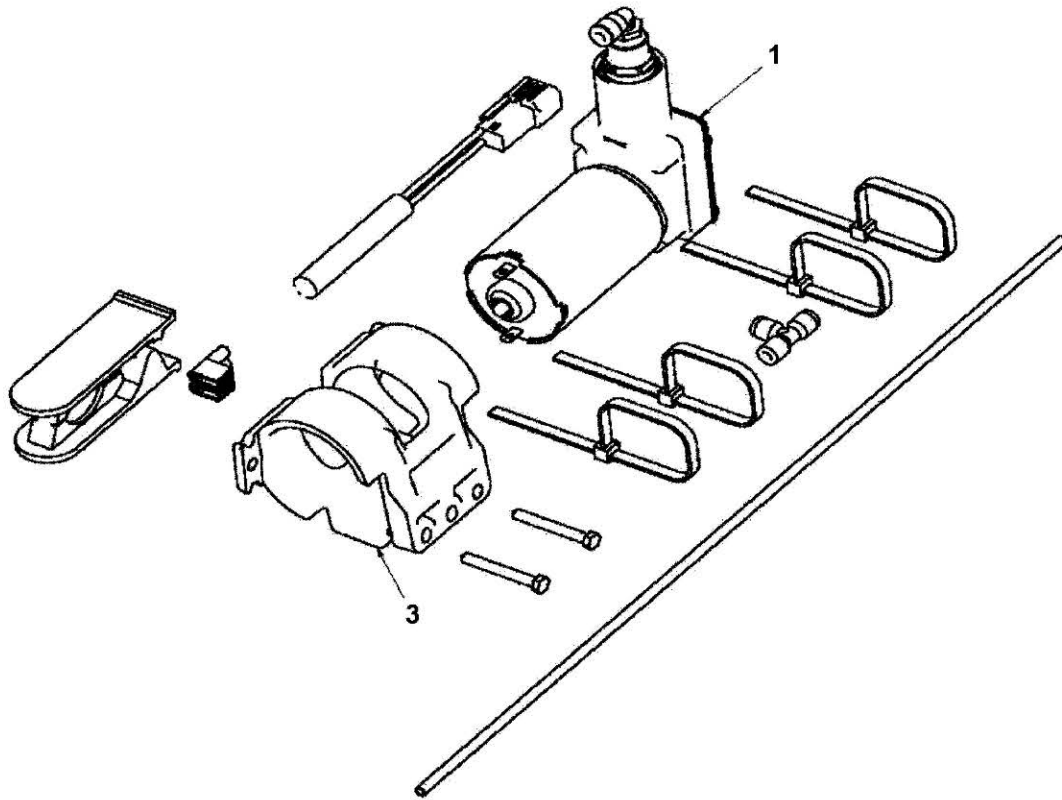
571223D1-3-



**571223D1 - SEMI ACTIVE SEAT SUSPENSION KIT**

ITEM	PART NUMBER	QTY	DESCRIPTION COMMENTS	TECHNICAL SPECIFICATION
1	197-4531	1	COVER KIT	
2	AG137802	1	BEARING SHAFT	
3	197-4533	1	BEARING KIT	
4	197-4534	1	ROLLER KIT	
5	WR27439	1	AIR SPRING	
6	197-4536	1	SPRING KIT	
7	197-4537	1	BUMPERS KIT	
8	197-4547	1	FORE AND AFT ISOLATOR SHOCK KIT	
9	197-4548	1	CONTROL KIT	
10	AG137799	1	ARM	
11	AG137812	1	BUMPER	
12	71323841	1	BUSHING	
13	71461327	1	AIR SPRING KIT	
14	501919D1	1	KNOB KIT	
15	501920D1	REF	SHOCK ABSORBER KIT	
16	501922D1	1	DAMPER KIT	
17	594890D1	REF	KIT, COMPRESSOR	
18	524550D1	1	SUSPENSION KIT	
19	524674D1	1	SEAT SUSPENSION MOUNT	
20	547633D1	1	SERVICE KIT	
21	571254D1	1	AIR TANK SERVICE KIT	
22	568485D1	1	SEAT FRAME	
23	568486D1	1	SEAT FRAME	UPPER
24	568487D1	1	VIBRATION ISOLATOR	LATERAL
25	572148D1	1	AIR LINE SERVICE KIT	
26	501920D1	1	SHOCK ABSORBER KIT	

508272D2-1-Y826

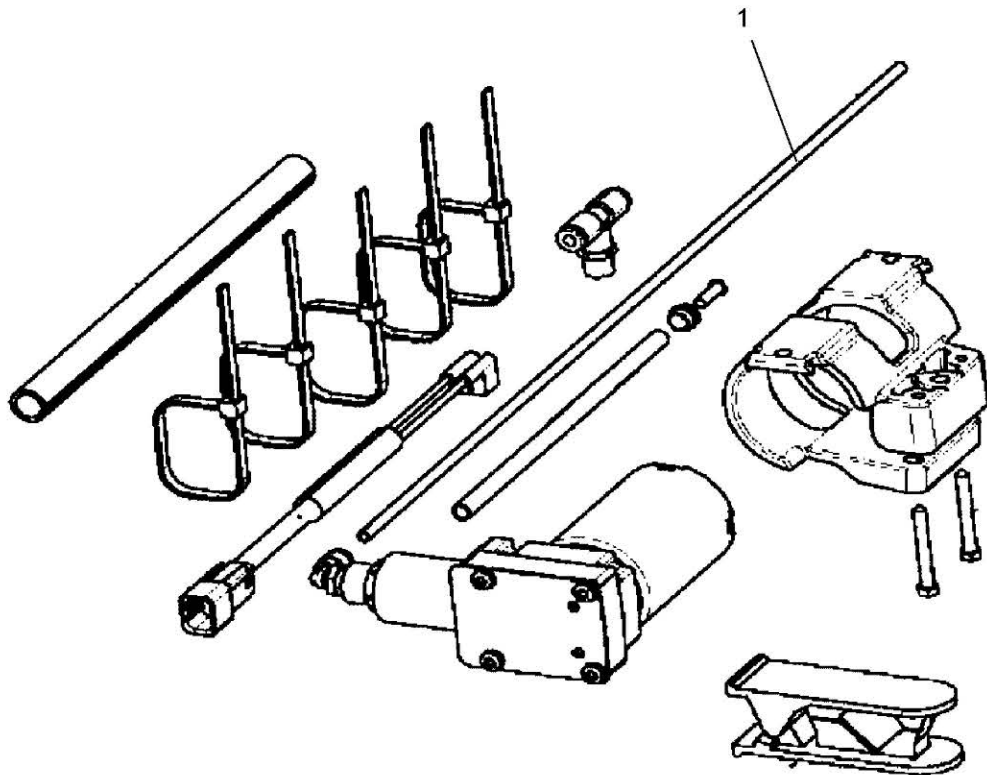


**508272D2 - COMPRESSOR SERVICE KIT - SEMI ACTIVE SUSPENSION**

---

ITEM	PART NUMBER	QTY	DESCRIPTION COMMENTS	TECHNICAL SPECIFICATION
	71430920	1	AIRLINE KIT	
1	594890D1	1	KIT, COMPRESSOR	
3	WR137903	1	CLAMP	

530916D2-1-Y826

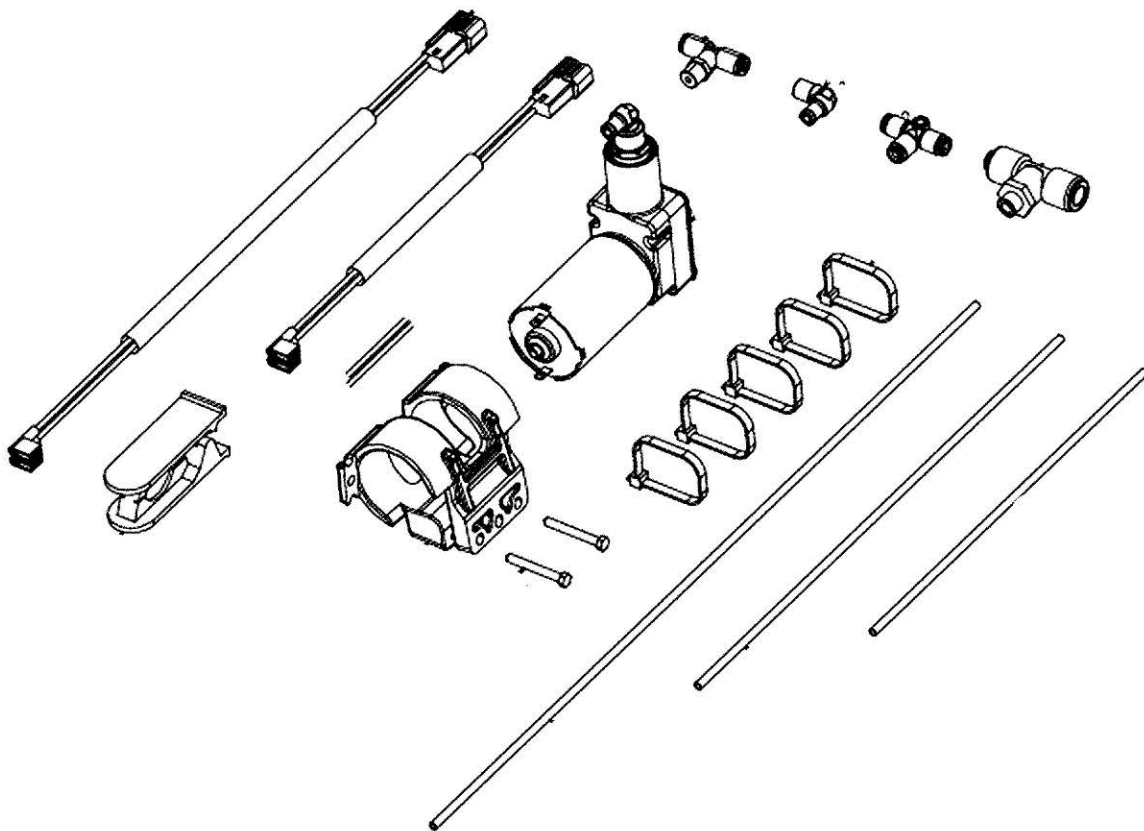


**530916D2 - COMPRESSOR SERVICE KIT - PASSIVE**

---

ITEM	PART NUMBER	QTY	DESCRIPTION COMMENTS	TECHNICAL SPECIFICATION
			<b>THIS PAGE IS TO SHOW WHAT IS INCLUDED IN THE KIT.</b>	
1	551219D1	1	TUBING PARTS ARE AVAILABLE AS A KIT	KIT

594890D1-1-01



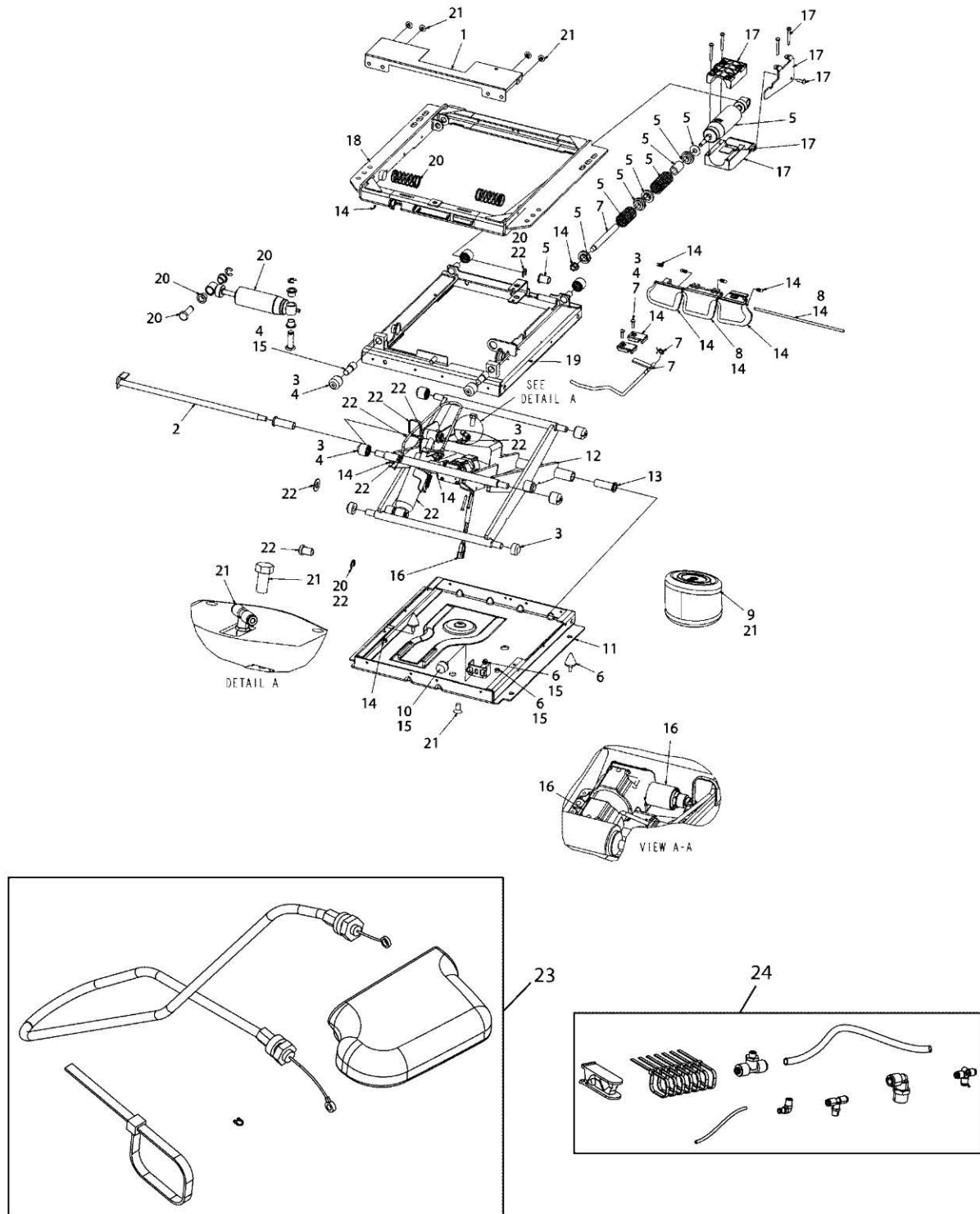
**594890D1 - COMPRESSOR SERVICE KIT**

---

ITEM	PART NUMBER	QTY	DESCRIPTION COMMENTS	TECHNICAL SPECIFICATION
	594890D1	1	KIT, COMPRESSOR	

570575D1 - PASSIVE SEAT SUSPENSION KIT - OPERATOR SEAT

570575D1-3-01



10-0085

Copyright © 2016 AGCO Corporation

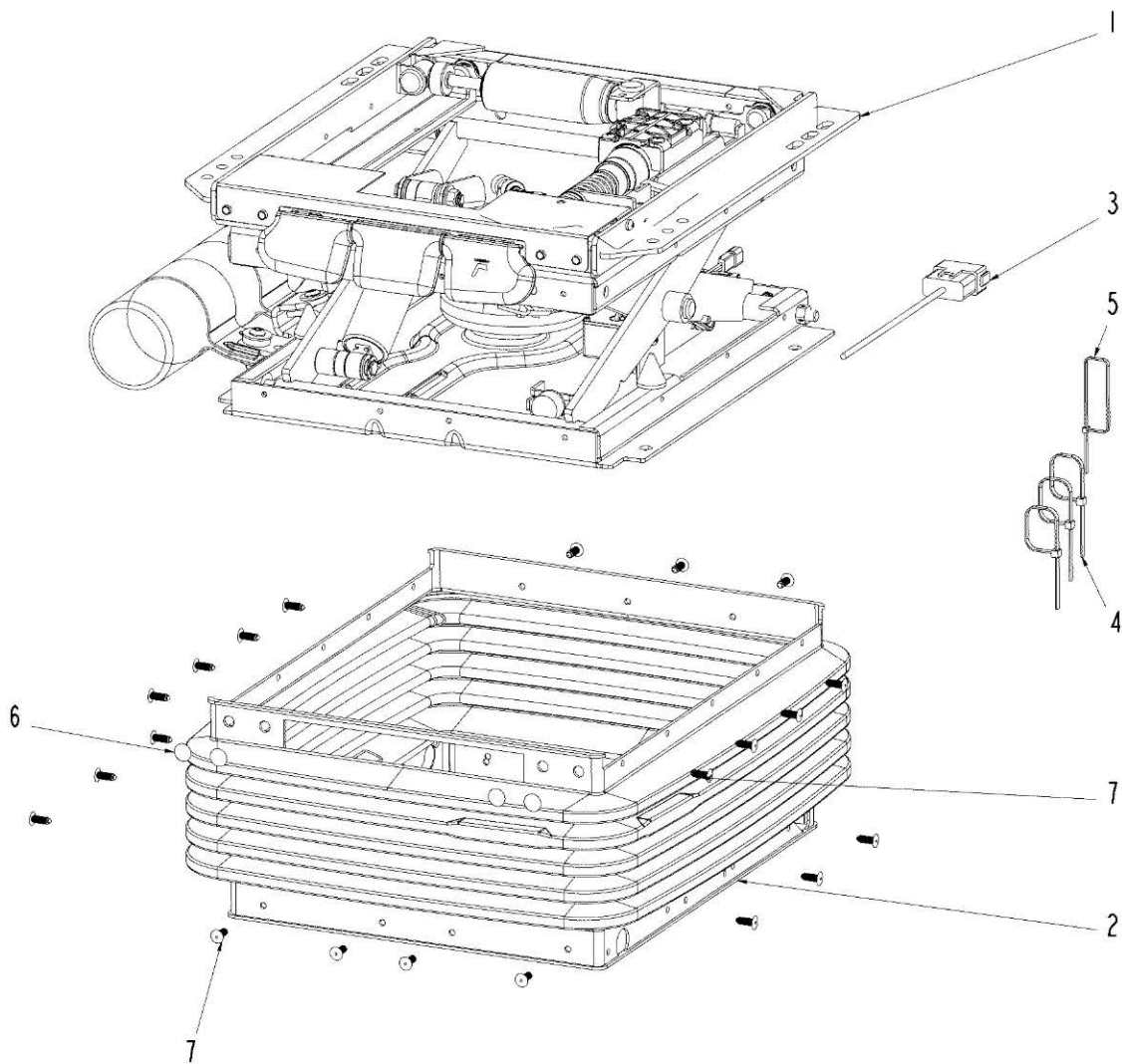
CAB

MT955E / MT965E / MT975E TRACTOR

**570575D1 - PASSIVE SEAT SUSPENSION KIT - OPERATOR SEAT**

ITEM	PART NUMBER	QTY	DESCRIPTION COMMENTS	TECHNICAL SPECIFICATION
1	197-4531	1	COVER KIT	
2	AG137802	1	BEARING SHAFT BEARINGS	
3	197-4533	1	BEARING KIT ROLLERS	
4	197-4534	1	ROLLER KIT ISOLATOR	
5	197-4536	1	SPRING KIT SPRING AND SHOCK	
6	197-4537	1	BUMPERS KIT SEAT	
7	197-4547	1	FORE AND AFT ISOLATOR SHOCK KIT FORE AND AFT	
8	197-4548	1	CONTROL KIT LATERAL ISOLATOR	
9	WR27439	1	AIR SPRING	
10	AG137812	1	BUMPER	
11	AG137817	1	HOUSING SUSPENSION	
12	AG137820	1	ARM SUSPENSION	
13	71323841	1	BUSHING	
14	197-4545	1	KNOB ASSY SEAT SUSPENSION	
15	524550D1	1	SUSPENSION KIT BUMPER	
16	530916D2	1	SERVICE KIT SEE PAGE 10-0083	COMPRESSOR
17	547633D1	1	SERVICE KIT BLOCK, ISOLATOR	
18	568485D1	1	SEAT FRAME	
19	568486D1	1	SEAT FRAME	UPPER
20	568487D1	1	VIBRATION ISOLATOR	LATERAL
21	570621D1	1	AIR SPRING KIT	
22	570622D1	1	SEAT SHOCK SUSPENSION KIT	
23	585507D1	1	SHOCK ABSORBER KIT P/N 585507D1	
24	572148D1	1	AIR LINE SERVICE KIT KIT INCLUDES AIRLINE AND FITTINGS	

571170D1-2-

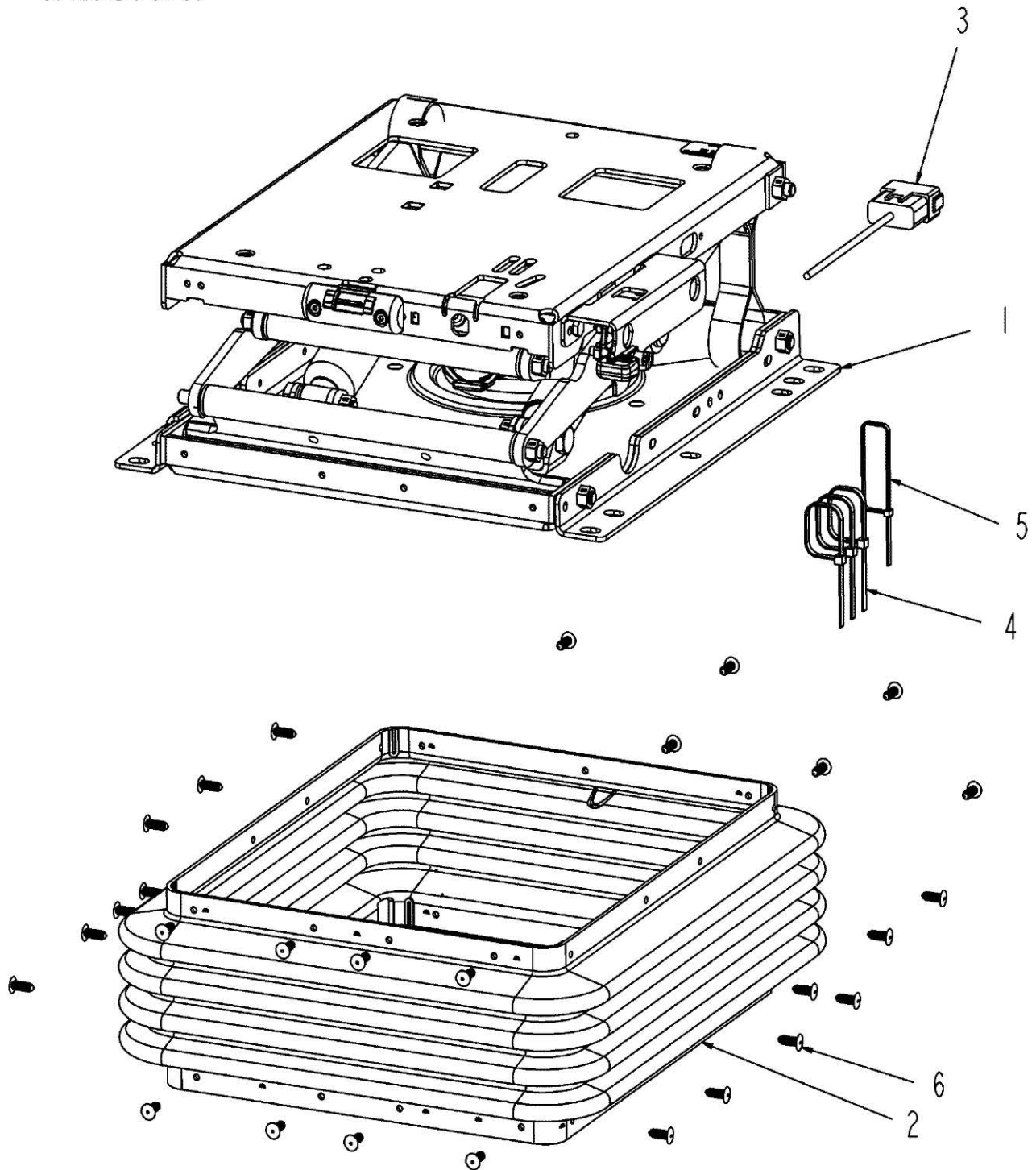


**571170D1 - SUSPENSION KIT - OPERATOR SEAT**

---

ITEM	PART NUMBER	QTY	DESCRIPTION COMMENTS	TECHNICAL SPECIFICATION
1	571223D1	1	SEAT SUSPENSION KIT	
2	NS	1	NON-SERVICEABLE PART	
3	530911D1	1	WIRE HARNESS	
4	NS	3	NON-SERVICEABLE PART	
5	6661639	1	FITTING	
6	NS	4	NON-SERVICEABLE PART	
7	NS	24	NON-SERVICEABLE PART	

571261D1-01-01

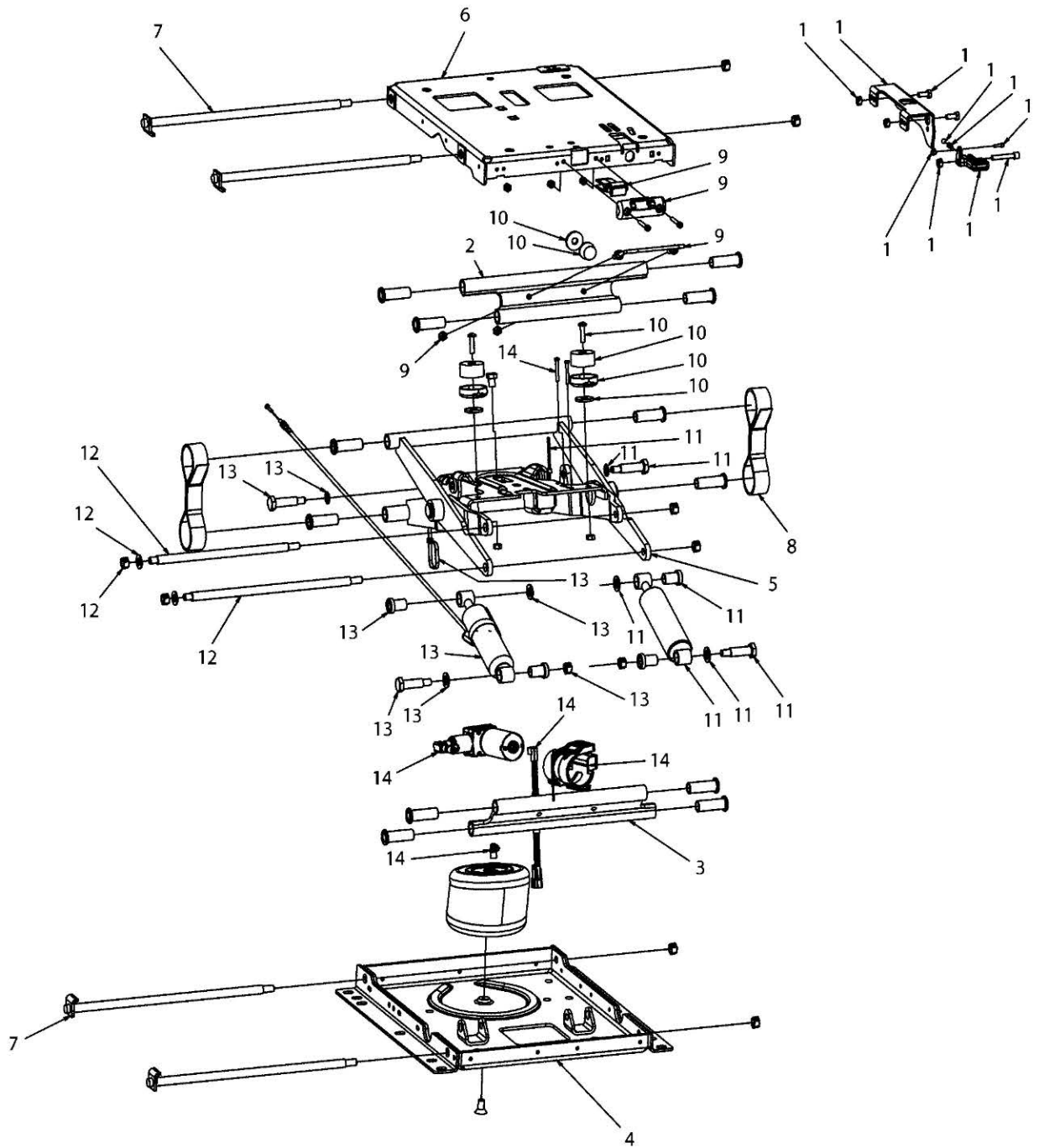


## 571261D1 - SUSPENSION KIT - OPERATOR SEAT

---

ITEM	PART NUMBER	QTY	DESCRIPTION COMMENTS	TECHNICAL SPECIFICATION
	571175D1	1	SEAT SUSPENSION KIT	
1		1	TLV SUSPENSION ASSEMBLY	
2		1	SUSPENSION BOOT	
3		1	WIRE HARNESS	
4		3	CABLE TIE	
5		1	CABLE TIE	
6		28	CHRISTMAS TREE CLIP	

571175D1-01-AA364-01

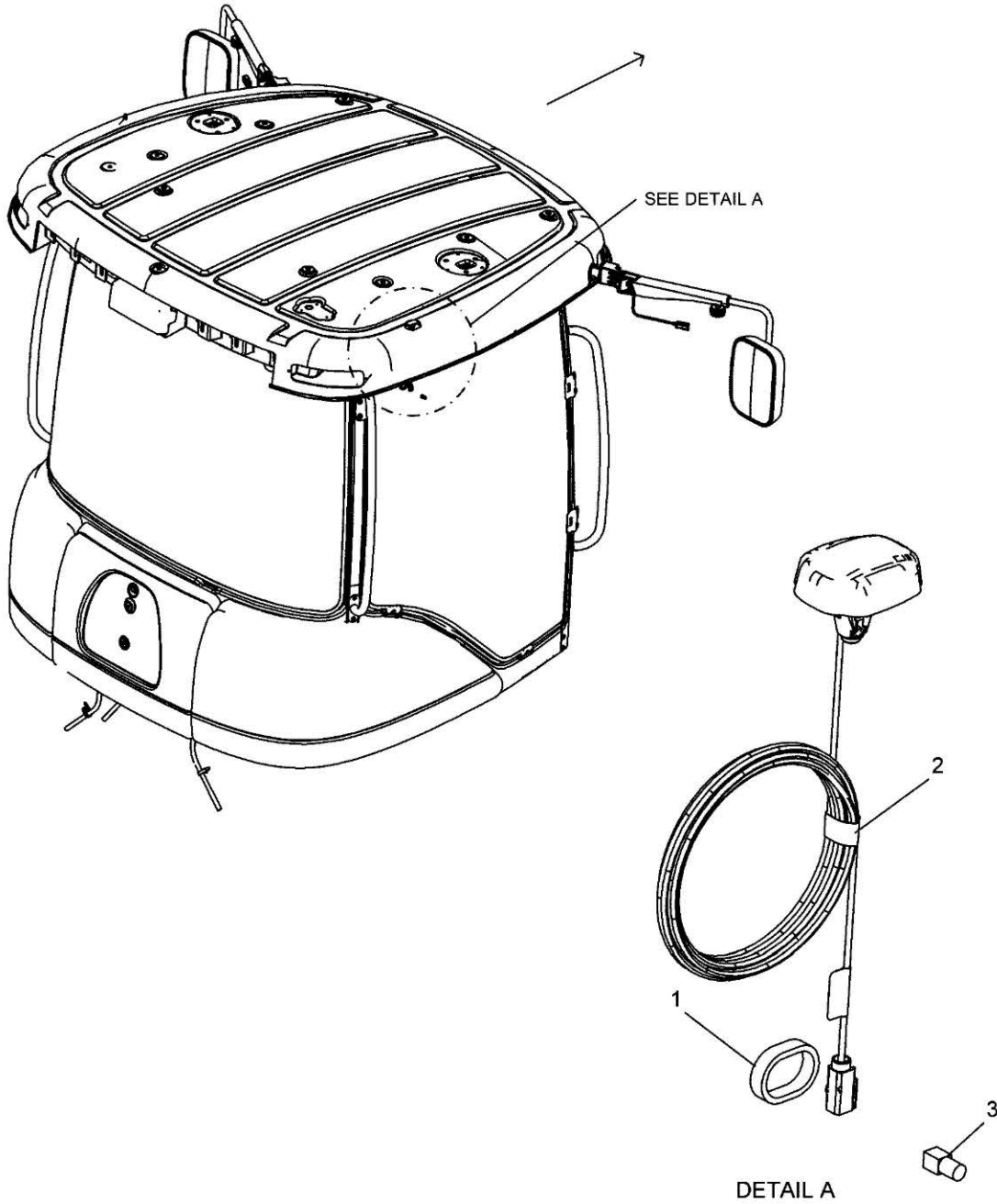


**571175D1 - SUSPENSION KIT - OPERATOR SEAT**

---

ITEM	PART NUMBER	QTY	DESCRIPTION COMMENTS	TECHNICAL SPECIFICATION
1	571255D1	1	AIR SPRING KIT	
2	571265D1	1	TOGGLE LINK	
3	571266D1	1	TOGGLE LINK	
4	571267D1	1	HOUSING	
5	571268D1	1	SEAT SUSPENSION KIT	
6	571269D1	1	HOUSING	
7	571270D1	1	BEARING SHAFT	
8	571271D1	1	TETHER STRAP	
9	571272D1	1	INDICATOR KIT	
10	571273D1	1	BUMPERS KIT	
11	571274D1	1	SHOCK ABSORBER KIT	
12	571275D1	1	SEAT SCISSOR SHAFT	
13	571276D1	1	SHOCK ABSORBER KIT	
14	572043D1	1	COMPRESSOR KIT	12V

509645D1-04-W731



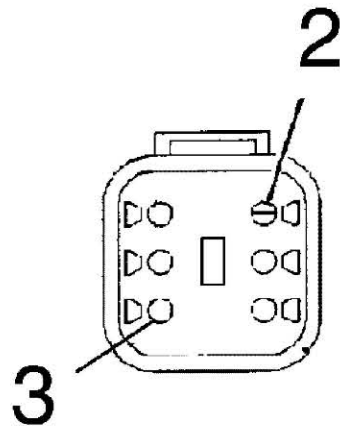
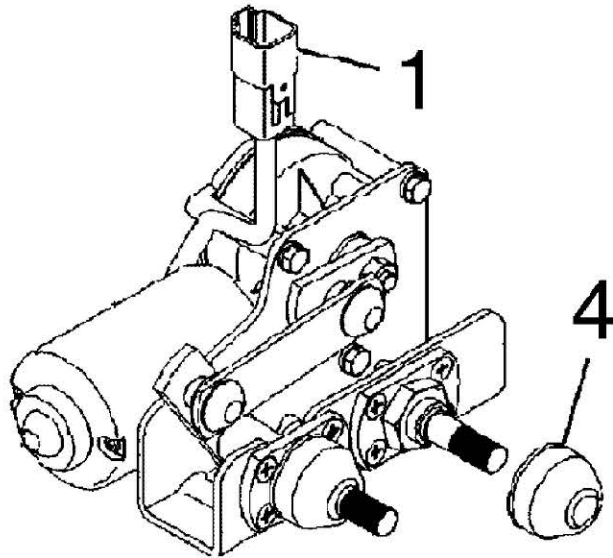
**509645D1 - ANTENNA GROUP, SATELLITE READY**

---

ITEM	PART NUMBER	QTY	DESCRIPTION COMMENTS	TECHNICAL SPECIFICATION
	577622D1	1	ANTENNA KIT FOR FIELD INSTALLATION WITH INSTRUCTIONS	XM
	509645D1	1	ANTENNA COMPLETE ASSEMBLY	
1	402294X1	2	CABLE TIE	390MM X 7.6MM
2	509637D1	1	ANTENNA SATELLITE	
3	511461D1	1	EXTENSION CABLE SATELLITE	

CH211-4837-01

### VIEW A-A



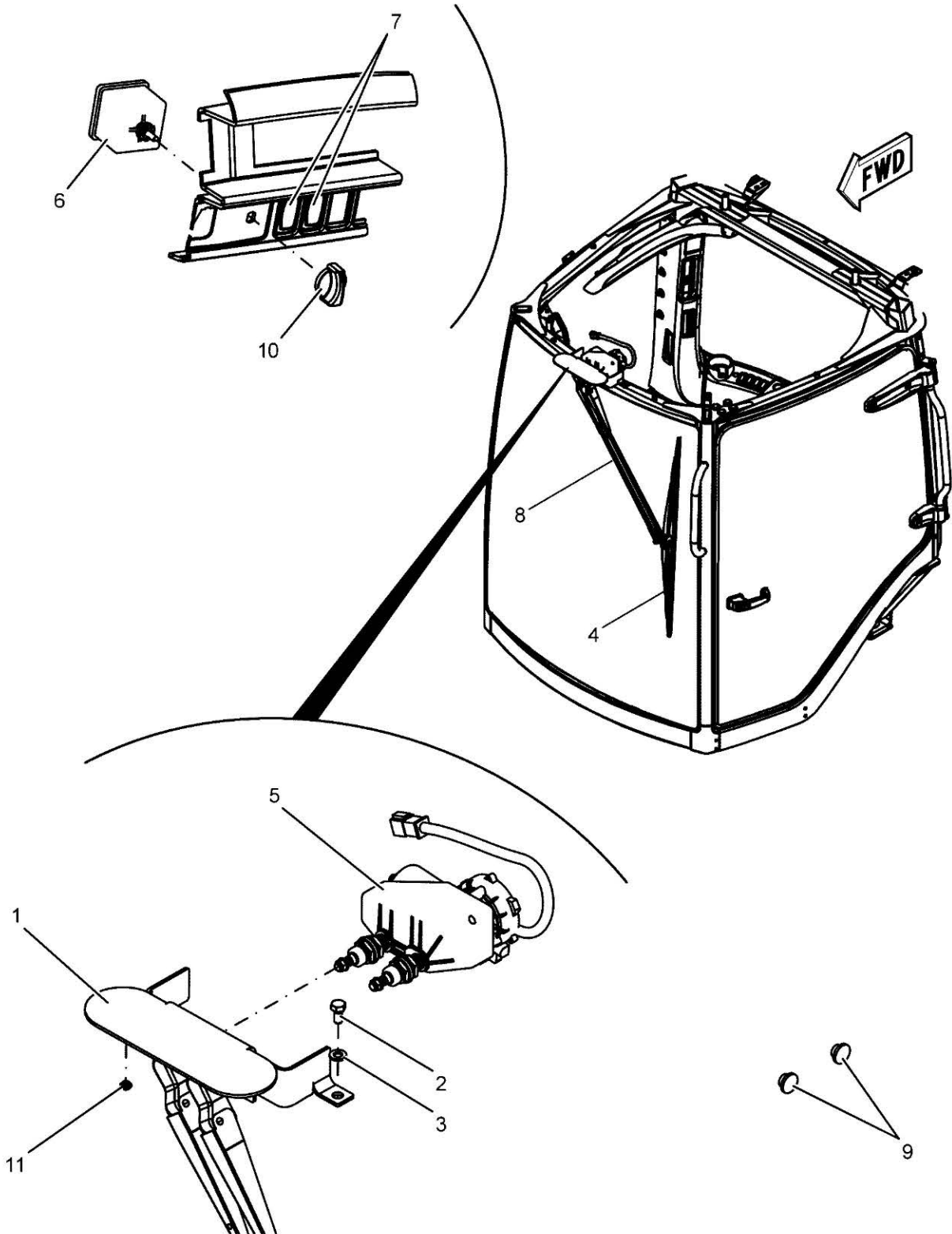
### VIEW A-A

**CH211-4837 - COMPACT DRIVE 12 VOLT MOTOR**

---

ITEM	PART NUMBER	QTY	DESCRIPTION COMMENTS	TECHNICAL SPECIFICATION
1	CH102-8805	1	HOUSING CONNECTOR	
2	CH8T-8737	1	PLUG	
3	400561X1	5	ELECTRICAL CONNECTOR	16-18 AWG
4	CH206-5823	2	CAP	

571559D1-1-AA388-

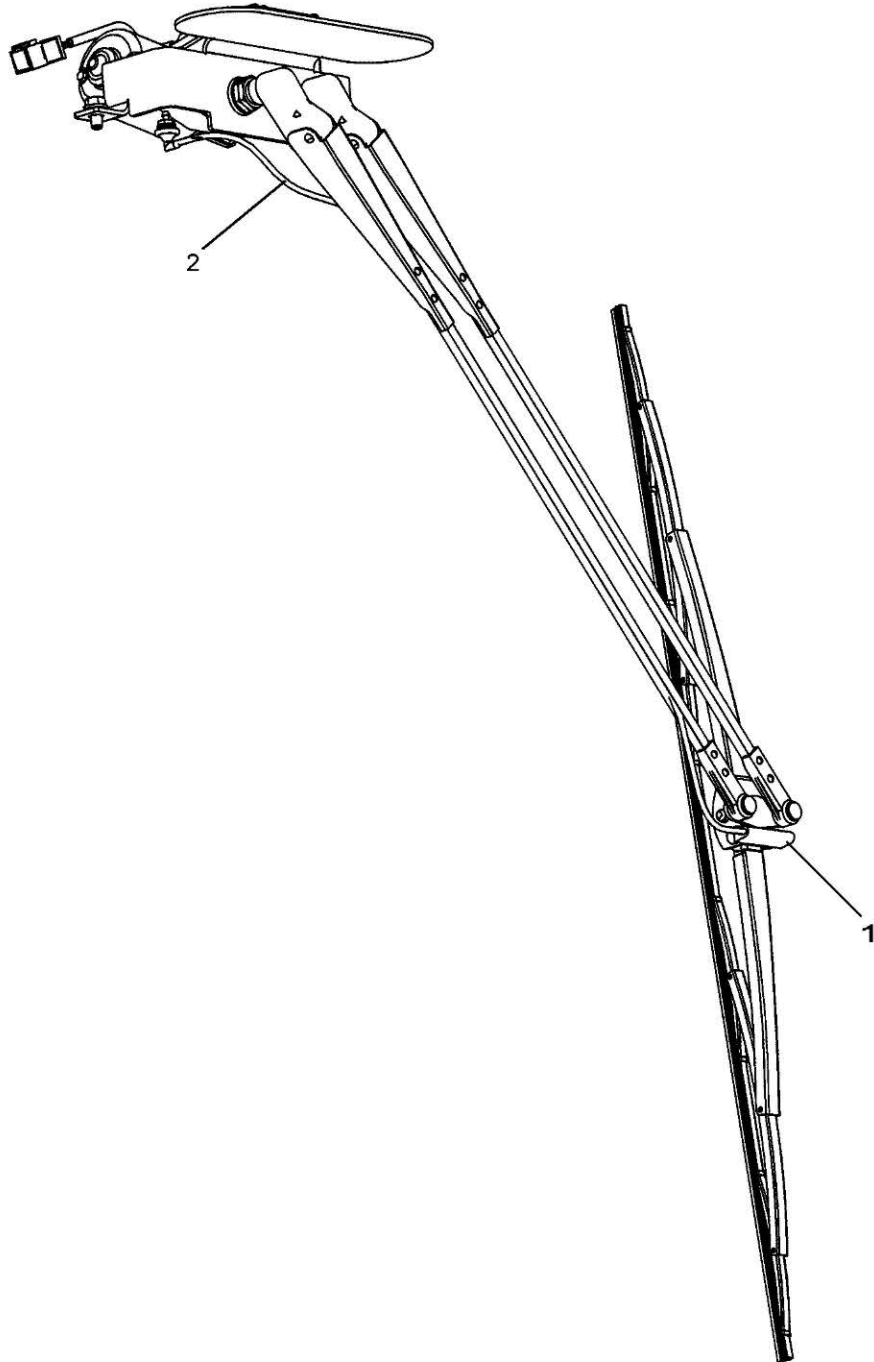


**571559D1 - WIPER GROUP, BASIC**

---

ITEM	PART NUMBER	QTY	DESCRIPTION COMMENTS	TECHNICAL SPECIFICATION
1	169-6323	1	BRACKET	
2	400040X1	2	HEXAGONAL HEAD BOLT	M10 X 1.5 X 20MM, CL10.9
3	400287X1	2	FLAT WASHER	11MM X 21MM X 2.5MM
4	501688D1	1	WIPER BLADE	
5	522250D1	1	WIPER MOTOR	
6	CH135-9967	1	WINDSHIELD WIPER SWITCH INTERMITTENT DELAY WIPER SWITCH	
7	CH165-5975	2	SWITCH COVER PLUG	
8	CH178-3888	1	WIPER ARM	
9	CH193-5914	2	PROTECTIVE PLUG	M10, PLASTIC
10	CH216-2628	1	CONTROL KNOB	
11	CH5P-7803	1	ADAPTER FITTING	

501565D1-01--01

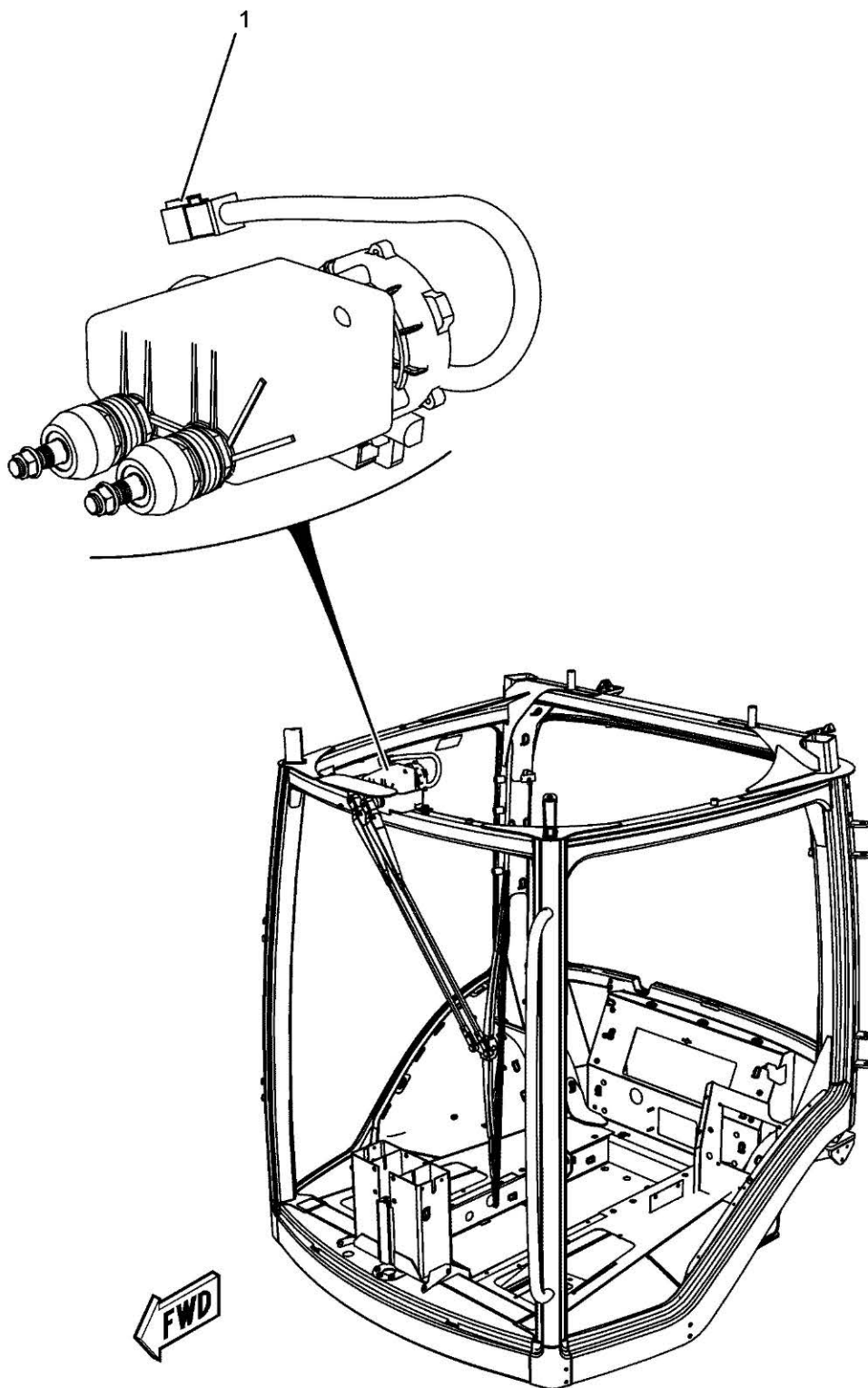


**501565D1 - WIPER ARM ASSEMBLY, WET**

---

ITEM	PART NUMBER	QTY	DESCRIPTION COMMENTS	TECHNICAL SPECIFICATION
1	501564D1	1	NOZZLE WASHER	
2	501566D1	-	WINDSHIELD WASHER HOSE BULK: 1 CM	

522250D1-4-AM241

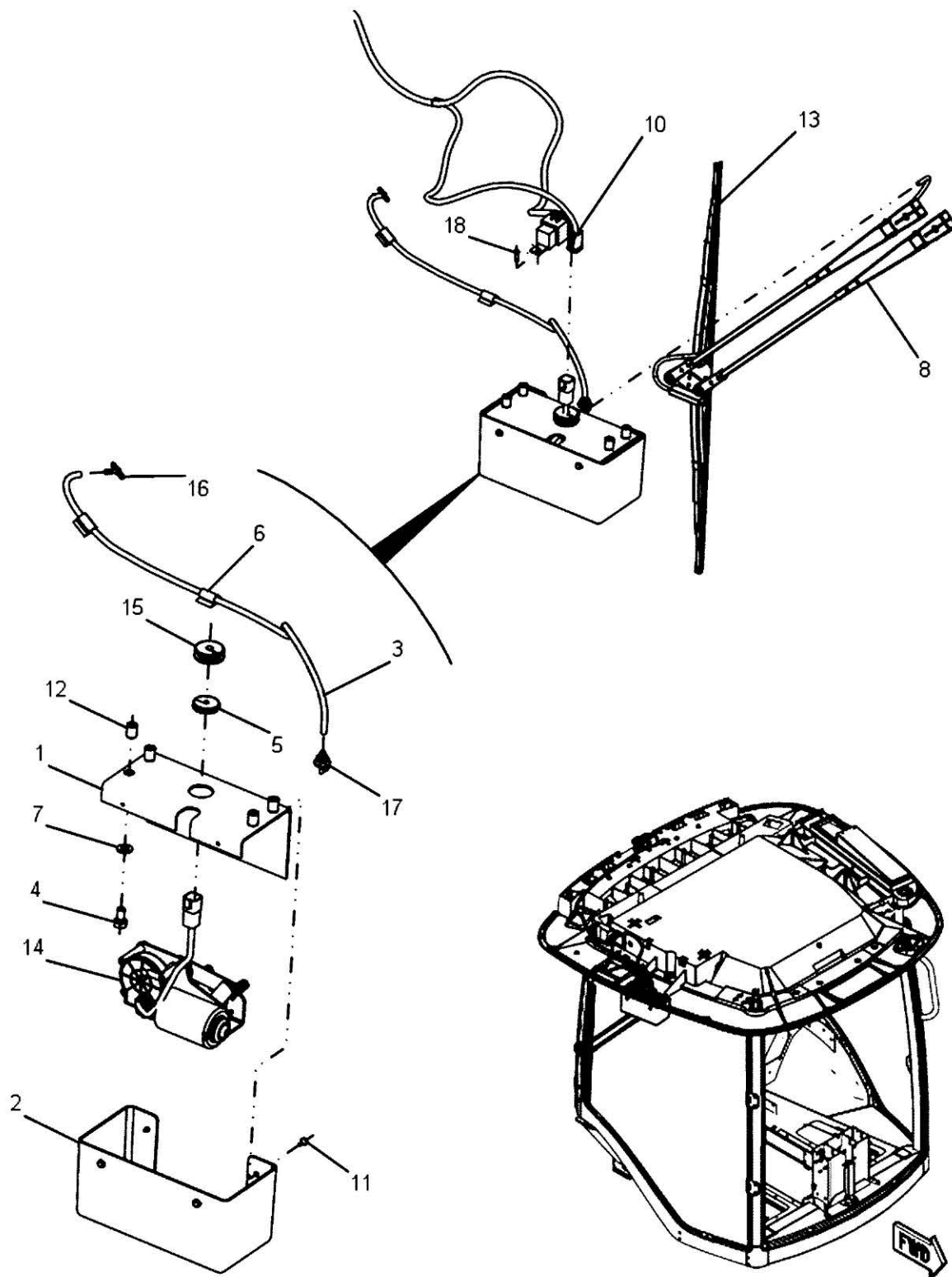


**522250D1 - WINDSHIELD WIPER MOTOR**

---

ITEM	PART NUMBER	QTY	DESCRIPTION COMMENTS	TECHNICAL SPECIFICATION
1	CH102-8805	1	HOUSING CONNECTOR	

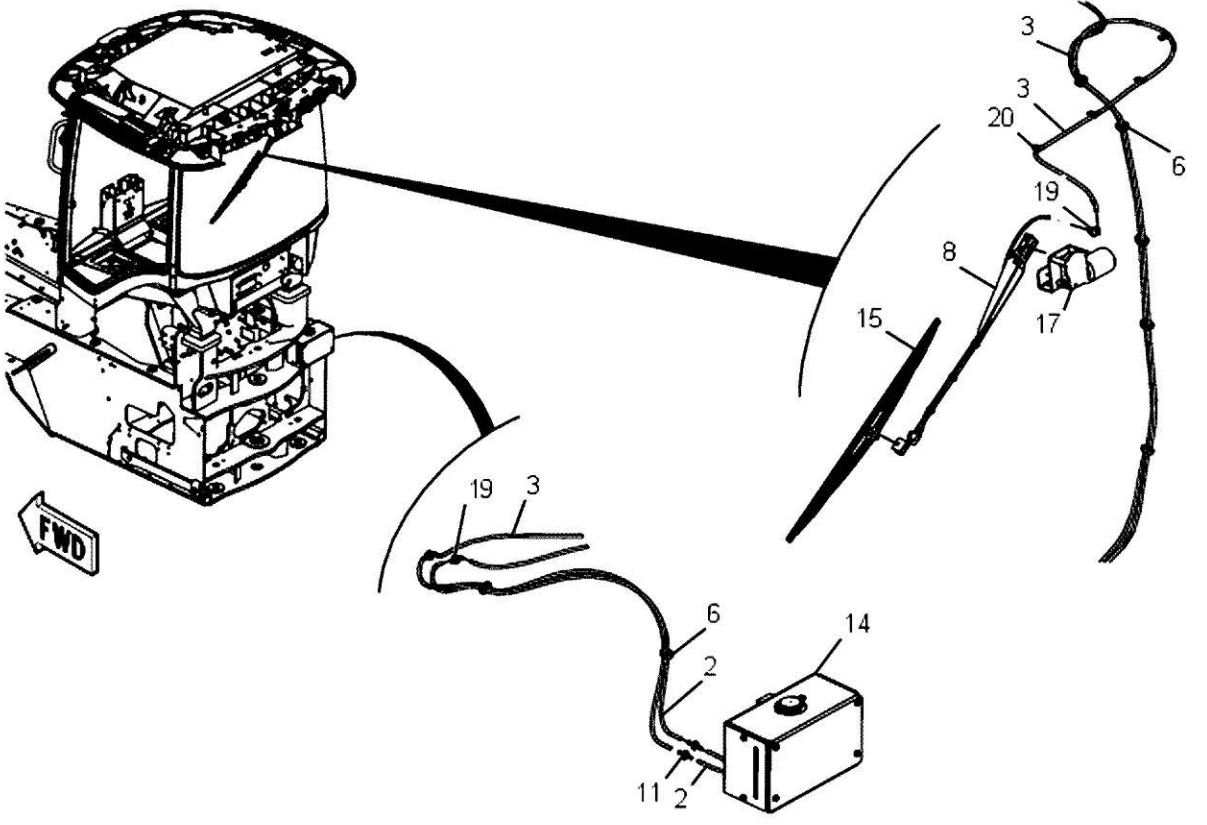
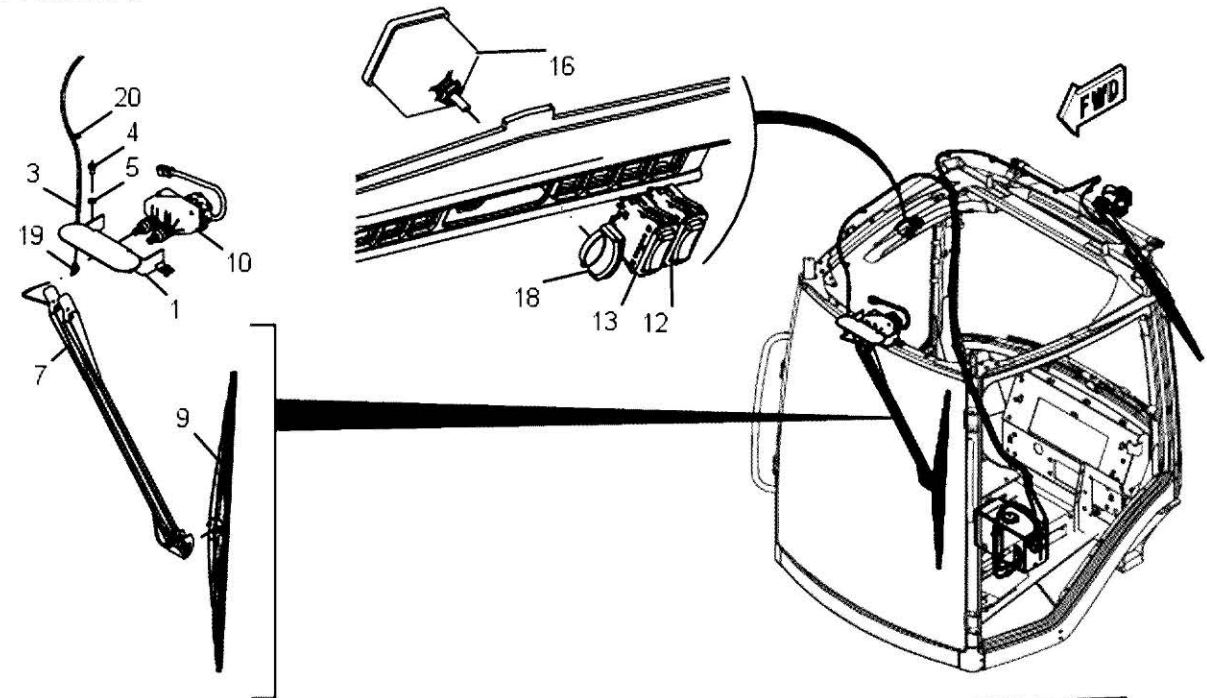
162-4103-12-



**162-4103 - WIPER GROUP ASSEMBLY - RIGHT HAND**

ITEM	PART NUMBER	QTY	DESCRIPTION COMMENTS	TECHNICAL SPECIFICATION
1	174-7872	1	ANGLE BRACKET	
2	175-0198	1	COVER	
3	AG514360	3	WINDSHIELD WASHER HOSE	0.16" ID
4	400040X1	4	HEXAGONAL HEAD BOLT	M10 X 1.5 X 20MM, CL10.9
5	400114X1	1	GROMMET	7MM ID X 30MM OD X 3MM
6	400282X1	2	CABLE CLIP	
7	400287X1	4	FLAT WASHER	11MM X 21MM X 2.5MM
8	501603D1	1	WIPER ARM	
10	573370D1	1	WIRE HARNESS	
11	CH030-9613	1	HEX WASHER HEAD TAPPING SCREW	#10-24 X 9.52MM
12	CH179-4209	4	THREADED INSERT	
13	CH189-8610	1	WIPER BLADE	800MM
14	CH211-4837	1	MOTOR	
	CH102-8805	1	HOUSING RECEPTACLE KIT	
	CH8T-8737	1	PLUG	
	400561X1	5	ELECTRICAL CONNECTOR	16-18 AWG
	CH206-5823	2	CAP	
15	CH6H-4006	1	GROMMET	9.5MM ID X 30.2MM OD X 7.14MM
16	CH6K-9632	1	TEE FITTING	4.34MM OD BARB, 5/32" HOSE
17	CH8T-5400	1	BULKHEAD CONNECTOR	
18	CH8T-9501	1	PAN HEAD MACHINE SCREW	#10-16 X 19.05MM

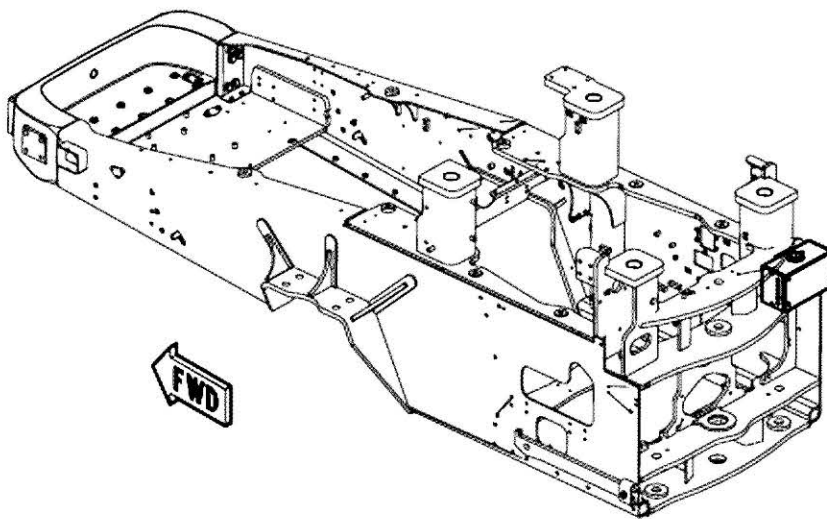
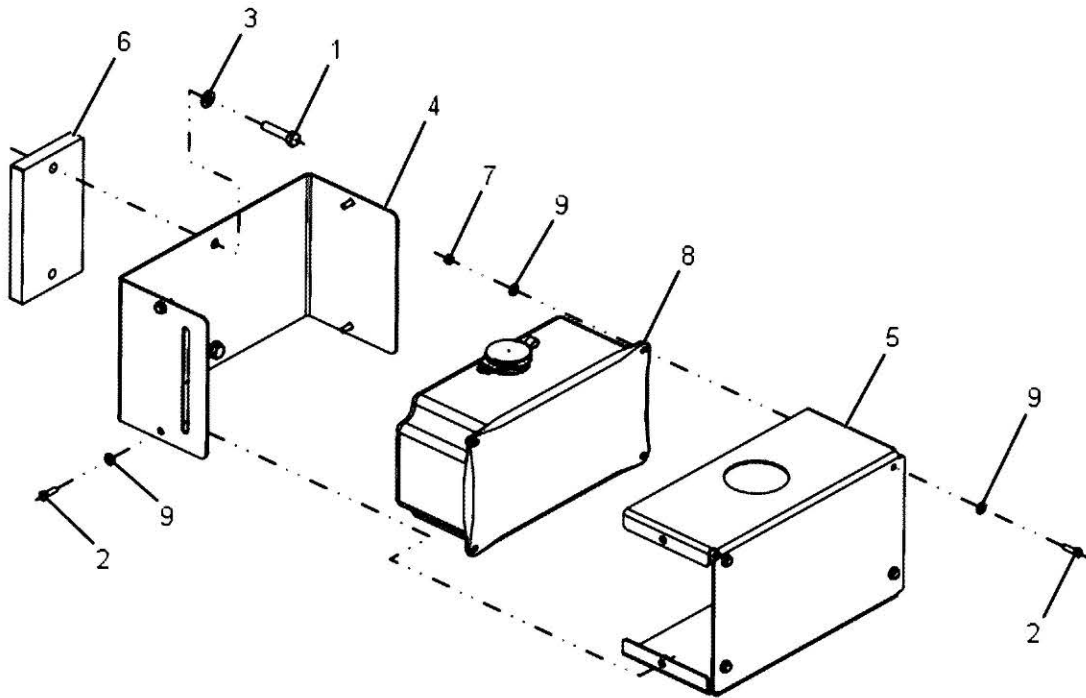
554005D2-3



**554005D2 - WIPER GROUP, DELUXE**

ITEM	PART NUMBER	QTY	DESCRIPTION COMMENTS	TECHNICAL SPECIFICATION
1	169-6323	1	BRACKET	
2	AG514360	10	WINDSHIELD WASHER HOSE	0.16" ID
3	AG518622	26	TUBING	1/4" OD, POLY
4	400040X1	2	HEXAGONAL HEAD BOLT	M10 X 1.5 X 20MM, CL10.9
5	400287X1	2	FLAT WASHER	11MM X 21MM X 2.5MM
6	402294X1	10	CABLE TIE	390MM X 7.6MM
7	501565D1	1	WIPER ARM	
8	501604D1	1	WIPER ARM	
9	501688D1	1	WIPER BLADE	
10	522250D1	1	WIPER MOTOR	
11	539603D1	2	VALVE	
12	555154D1	1	ROCKER SWITCH	
13	558872D1	1	WINDSHIELD WIPER SWITCH	
14	571123D1	1	BOTTLE	
15	CH134-1935	1	WIPER BLADE	
16	CH135-9967	1	WINDSHIELD WIPER SWITCH	
17	CH166-4596	1	WIPER MOTOR	
18	CH216-2628	1	CONTROL KNOB	
19	CH8T-5400	4	BULKHEAD CONNECTOR	
20	CH9N-2061	7	P-CLIP	7.94MM ID

571123D1-3

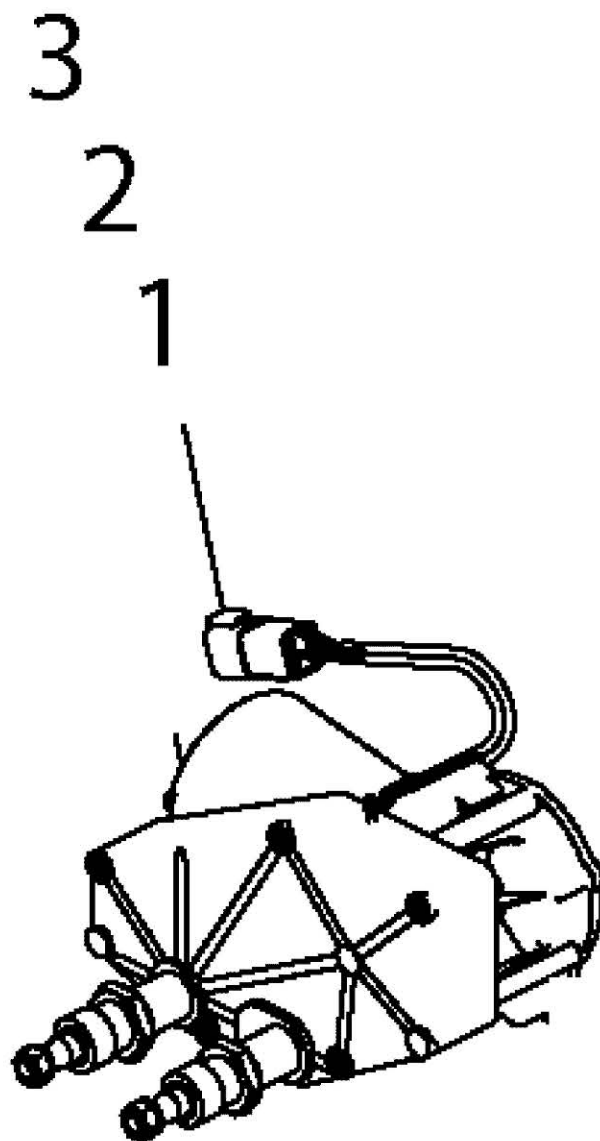


**571123D1 - WINDSHIELD WASHER BOTTLE**

---

ITEM	PART NUMBER	QTY	DESCRIPTION COMMENTS	TECHNICAL SPECIFICATION
1	400049X1	2	HEXAGONAL HEAD BOLT	M10 X 1.5 X 45MM, CL10.9
2	400221X1	8	HEXAGONAL HEAD BOLT	M6 X 1 X 20MM, CL10.9
3	400287X1	2	FLAT WASHER	11MM X 21MM X 2.5MM
4	571119D1	1	MOUNTING BRACKET	
5	571121D1	1	MOUNTING BRACKET	
6	571122D1	1	SPACER	
7	CH129-3178	4	HEX LOCKNUT	M6 X 1MM
8	CH208-9635	1	WINDSHIELD WASHER RESERVOIR	
9	CH8T-4205	12	FLAT WASHER	7.2MM X 14.5MM X 2MM

CH166-4596-01--01

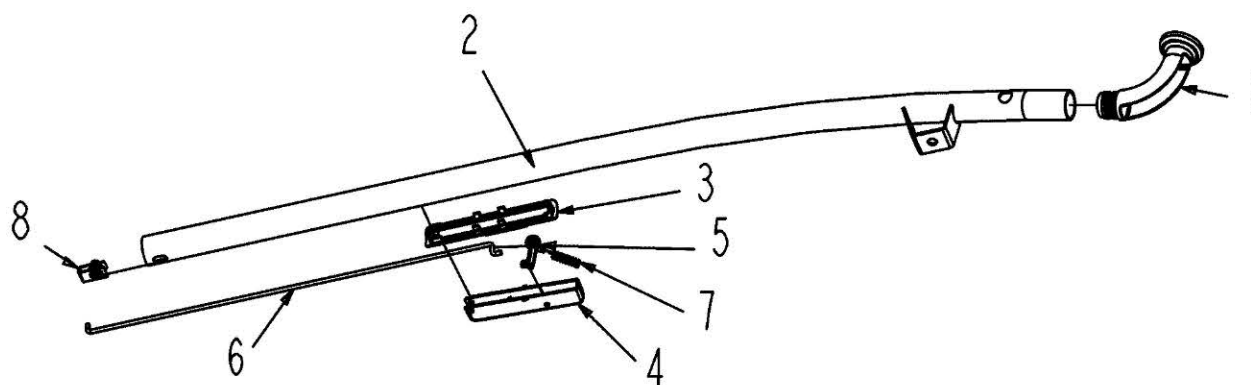


**CH166-4596 - COMPACT DRIVE 12 VOLT MOTOR**

---

ITEM	PART NUMBER	QTY	DESCRIPTION COMMENTS	TECHNICAL SPECIFICATION
1	CH102-8802	1	CONNECTOR REPAIR KIT	
2	CH8T-8737	1	PLUG	
3	400561X1	5	ELECTRICAL CONNECTOR	16-18 AWG

509299D1-3-Z469

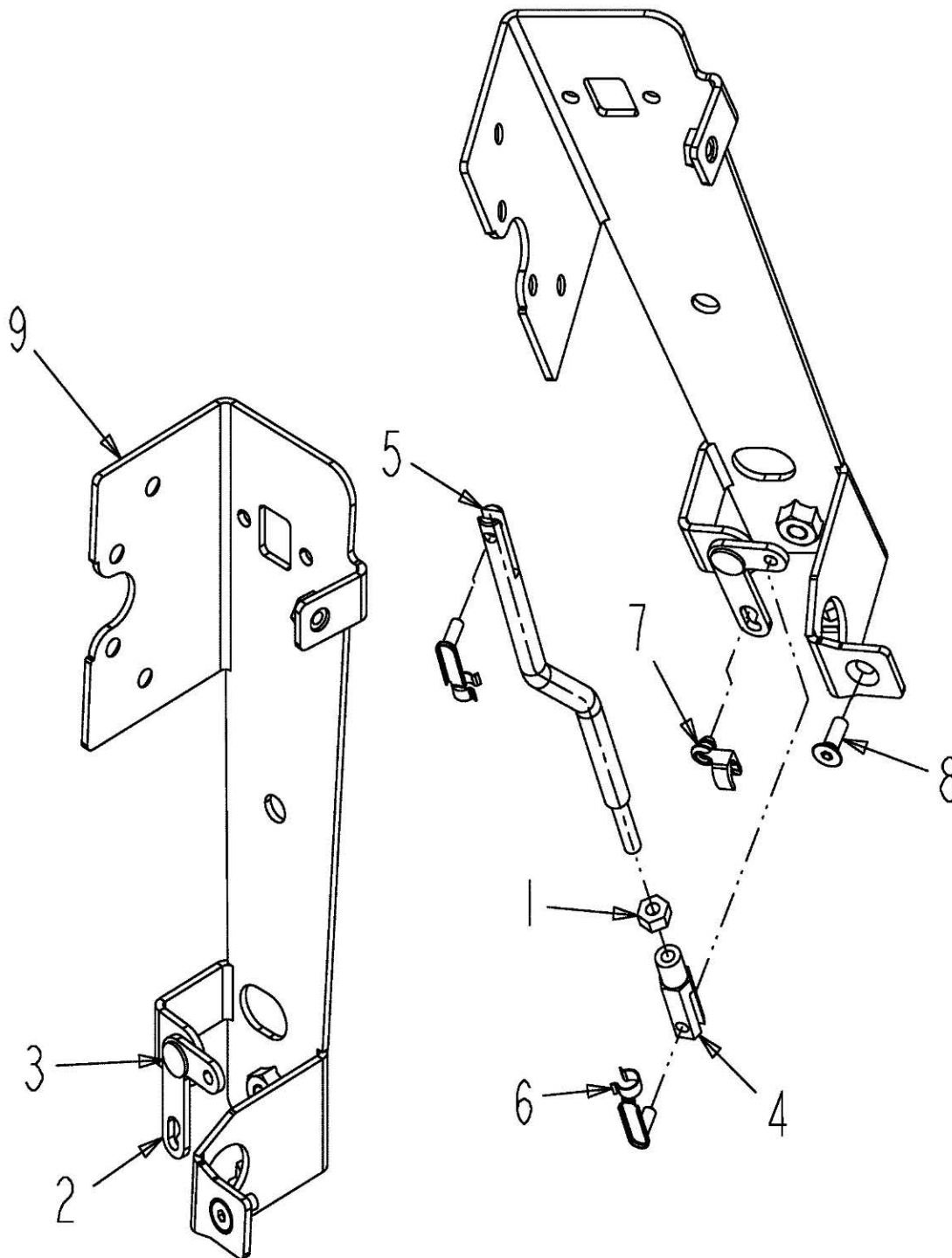


**509299D1 - HANDLE ASSEMBLY, INTERIOR**

---

ITEM	PART NUMBER	QTY	DESCRIPTION COMMENTS	TECHNICAL SPECIFICATION
1	509300D1	1	MOUNTING	
2	509301D1	1	GRAB HANDLE	
3	509302D1	1	RETAINER LATCH	
4	509303D1	1	HANDLE INTERIOR	
5	509304D1	1	LINK	
6	509305D1	1	LATCH ROD INTERIOR	
7	509306D1	1	SPRING	
8	509307D1	1	RETAINER	NUT

509309D1-03-W210

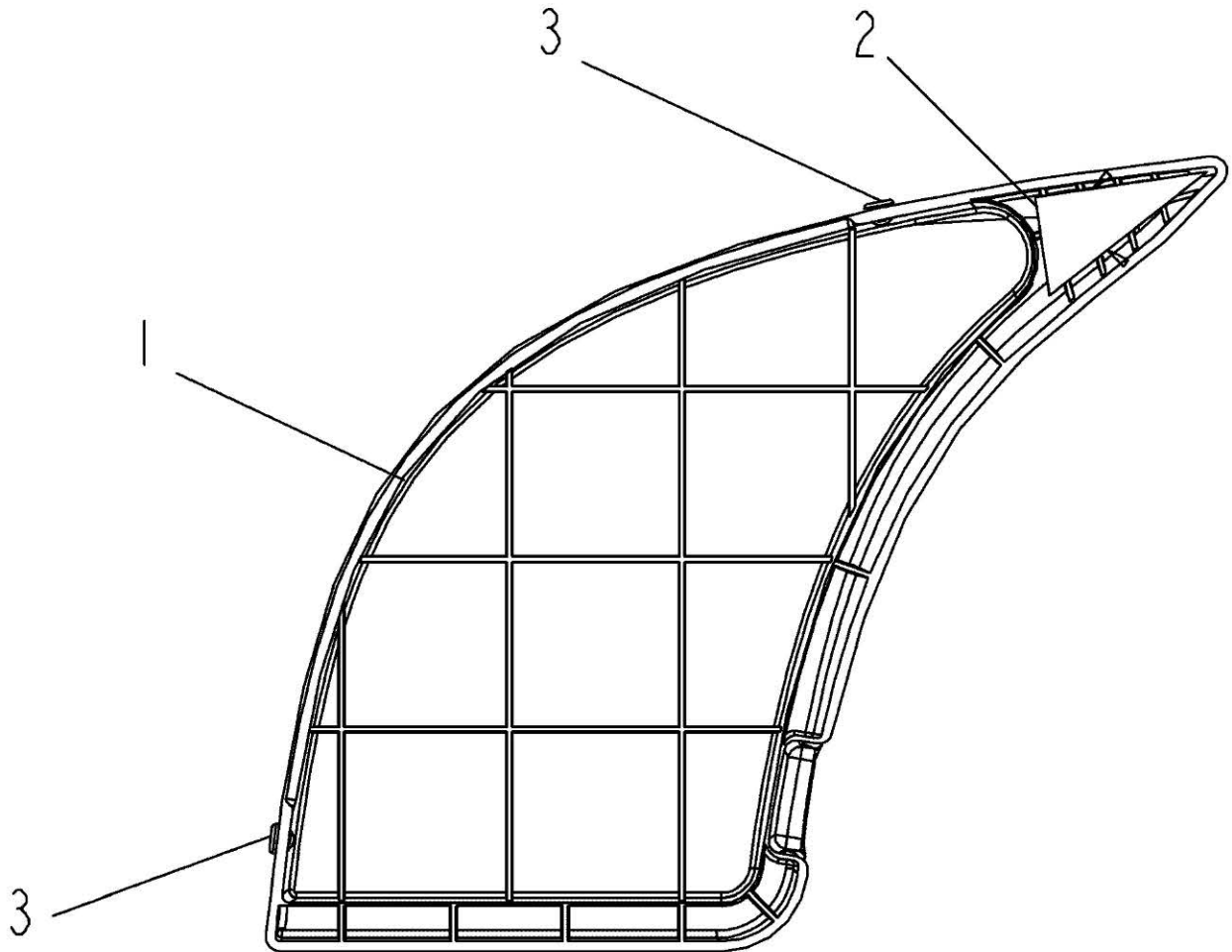


**509309D1 - LATCH MOUNT ASSEMBLY**

---

ITEM	PART NUMBER	QTY	DESCRIPTION COMMENTS	TECHNICAL SPECIFICATION
1	AG550612	1	HEX NUT	1/4"-20
2	509311D1	1	PIVOT PLATE	
3	509312D1	1	RIVET	
4	509313D1	1	CLEVIS	
5	509314D1	1	ROD	
6	509315D1	2	CLIP	
7	509316D1	1	CLIP	
8	509317D1	1	BOLT	
9	509326D1	1	LATCH MOUNT	

513526D1-01-T128

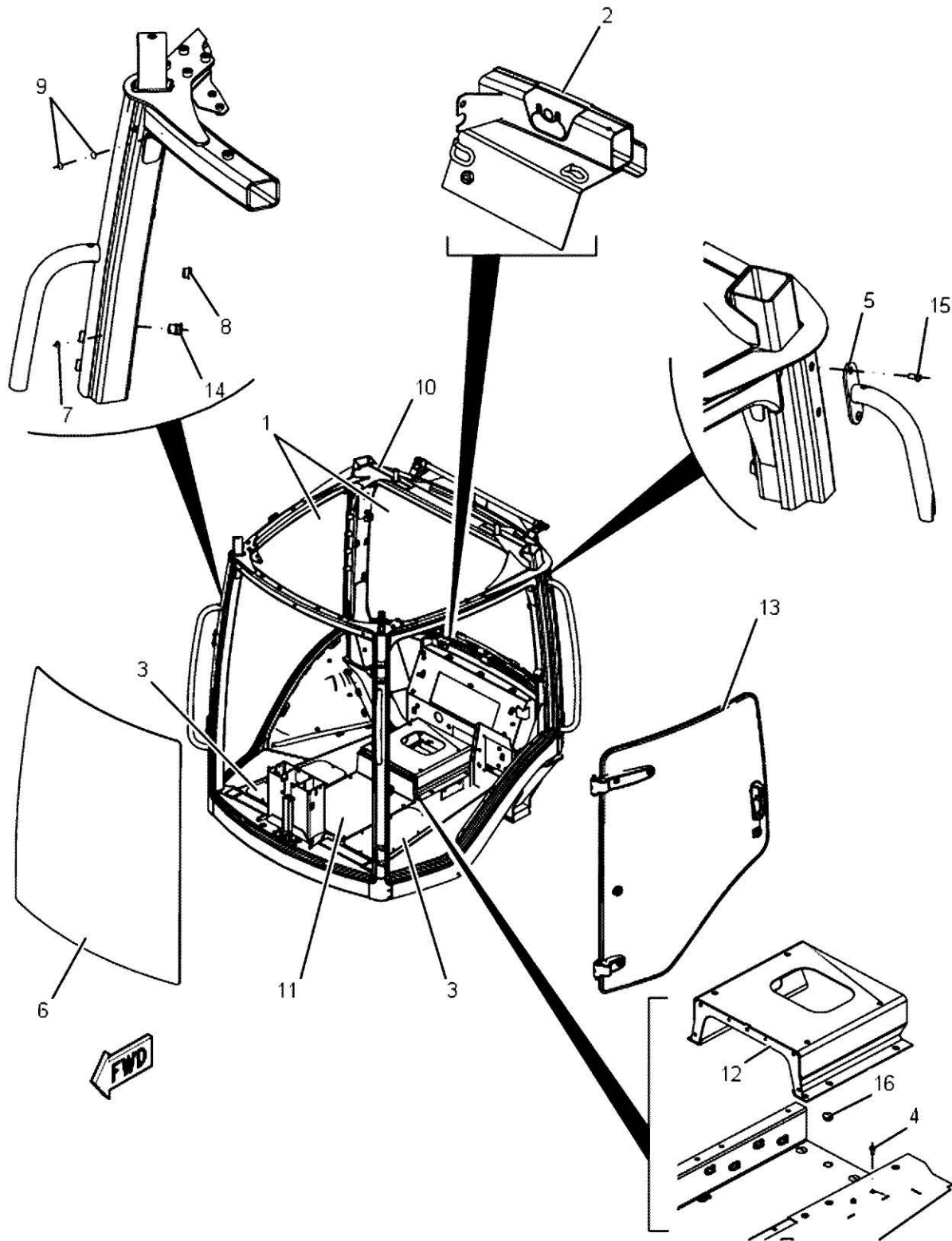


## 513526D1 - LID ASSEMBLY

---

ITEM	PART NUMBER	QTY	DESCRIPTION COMMENTS	TECHNICAL SPECIFICATION
1	513527D1	1	LID TRIM	
2	179-2956	1	REINFORCEMENT PLATE	
3	500883D1	2	BUMPER	

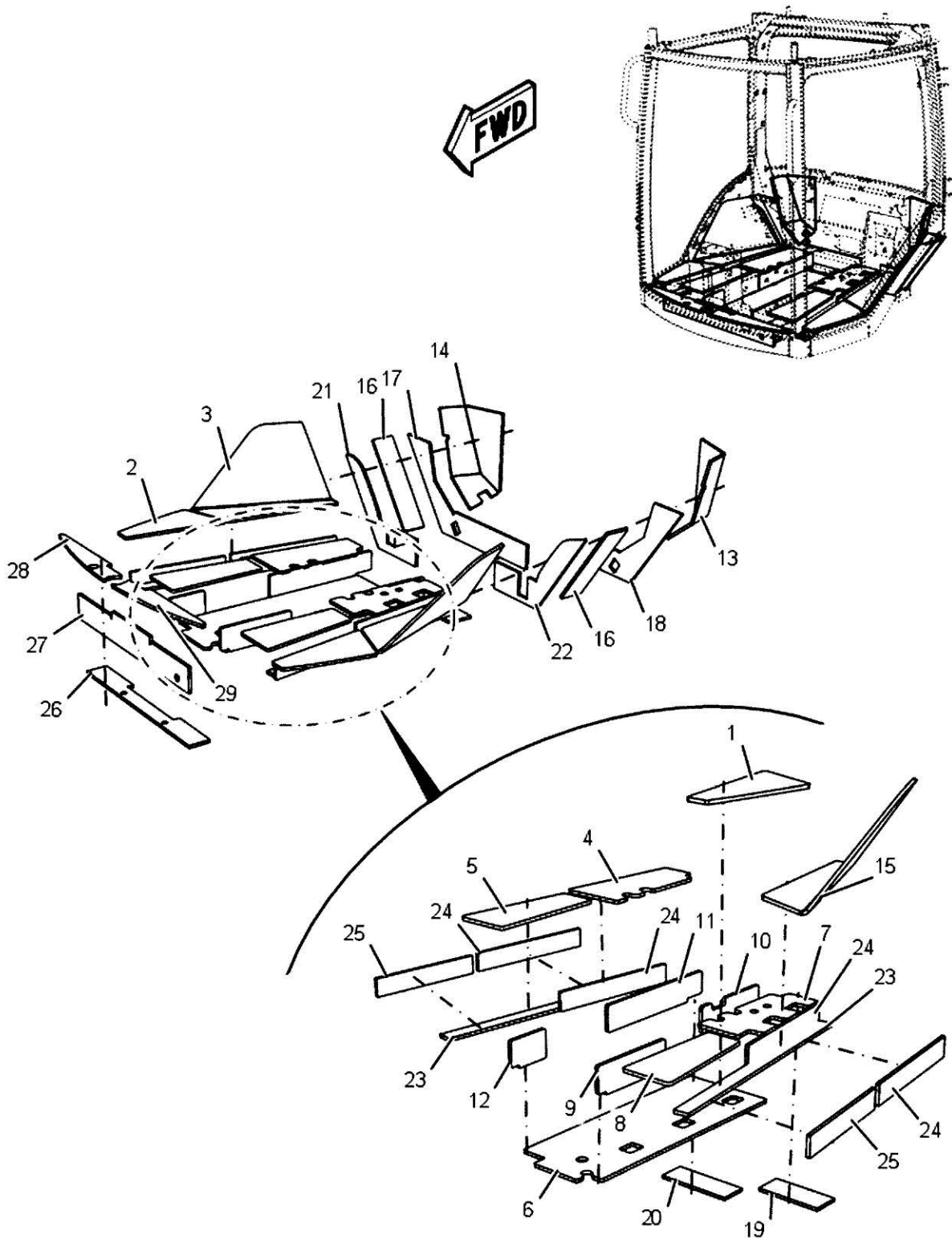
567073D2-2-



567073D2 - CAB GROUP

ITEM	PART NUMBER	QTY	DESCRIPTION COMMENTS	TECHNICAL SPECIFICATION
1	NS	1	NON-SERVICEABLE PART SEE PAGE 10-0077 SEE PAGE 10-0078	
2	164-7017	1	SEAL	
3	166-4558	2	COVER	
4	400227X1	2	HEXAGONAL HEAD BOLT	M8X1.25 THD X 16 10.9
5	501208D1	2	TUBE	
6	501896D1	1	FRONT WINDOW GLASS	FRONT
7	526883D1	9	SPACER	
8	527825D1	4	BUTTON PLUG	
10	559900D1	1	CAB FRAME	
11	569260D1	1	COVER PLATE	442MM X 455MM
12	569261D1	1	SEAT PLATE	439MM X 490MM
13	570913D1	1	DOOR, LEFT HAND	
14	CH187-4902	2	THREADED INSERT	M10 X 1.5
15	CH9X-2616	8	HEX SOCKET BUTTON HEAD BOLT	M8 X 1.25 X 16MM, CL12.9
16	CH9X-3994	4	PLUG	DIA 25.5MM

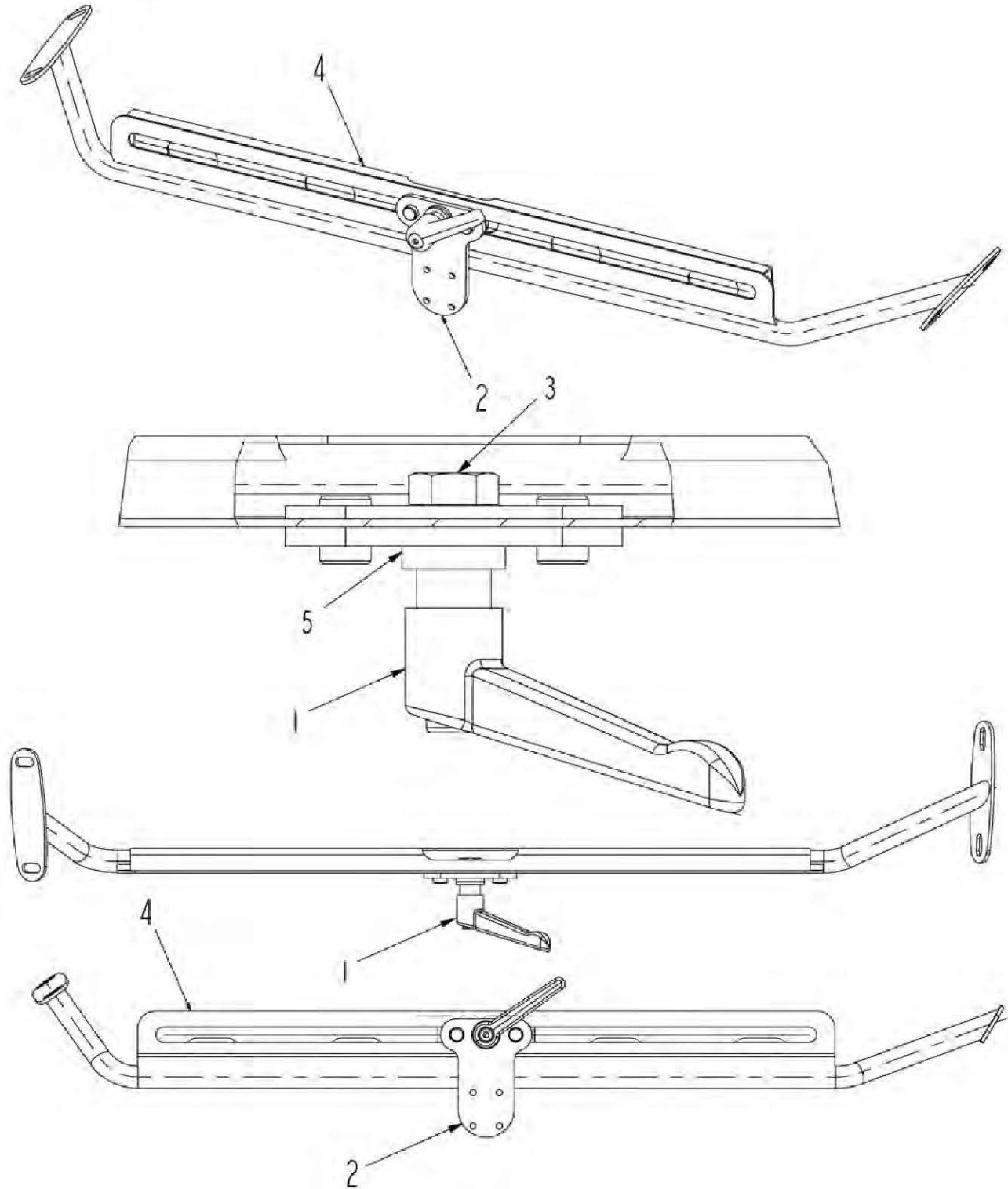
575134D1-2-01



**575134D1 - CAB INSULATION**

ITEM	PART NUMBER	QTY	DESCRIPTION COMMENTS	TECHNICAL SPECIFICATION
1	575122D2	1	INSULATION	UNDER CAB
2	575123D2	1	INSULATION	UNDER CAB
3	575124D2	1	INSULATION	UNDER CAB
4	575125D2	1	INSULATION	UNDER CAB
5	575126D2	1	INSULATION	UNDER CAB
6	575127D2	1	INSULATION	UNDER CAB
7	575128D2	1	INSULATION	UNDER CAB
8	575129D2	1	INSULATION	UNDER CAB
9	575130D2	1	INSULATION	UNDER CAB
10	575131D2	1	INSULATION	UNDER CAB
11	575132D2	1	INSULATION	UNDER CAB
12	575133D2	1	INSULATION	UNDER CAB
13	579178D2	1	INSULATION	REAR CAB, LH
14	579179D2	1	INSULATION	REAR CAB, RH
15	579180D2	1	INSULATION	UNDER CAB
16	579181D2	2	INSULATION	FRAME, REAR OUTSIDE
17	579182D2	1	INSULATION	FRAME, REAR BACK
18	579183D2	1	INSULATION	FRAME, REAR BACK
19	579711D2	1	INSULATION	FRAME, REAR BOTTOM
20	579712D2	1	INSULATION	FRAME, REAR BOTTOM
21	579713D2	1	INSULATION	FRAME, REAR FRONT
22	579714D2	1	INSULATION	FRAME, REAR FRONT
23	579715D2	2	INSULATION	FRAME, SIDE TUBE
24	579716D2	4	INSULATION	FRAME, SIDE TUBE
25	579717D2	2	INSULATION	FRAME, SIDE TUBE
26	579718D2	1	INSULATION	FRAME, FRONT
27	579719D2	1	INSULATION	FRAME, FRONT
28	580198D2	1	INSULATION	UNDER CAB FRAME
29	580199D2	1	INSULATION	UNDER CAB FRAME

579803D1-1-

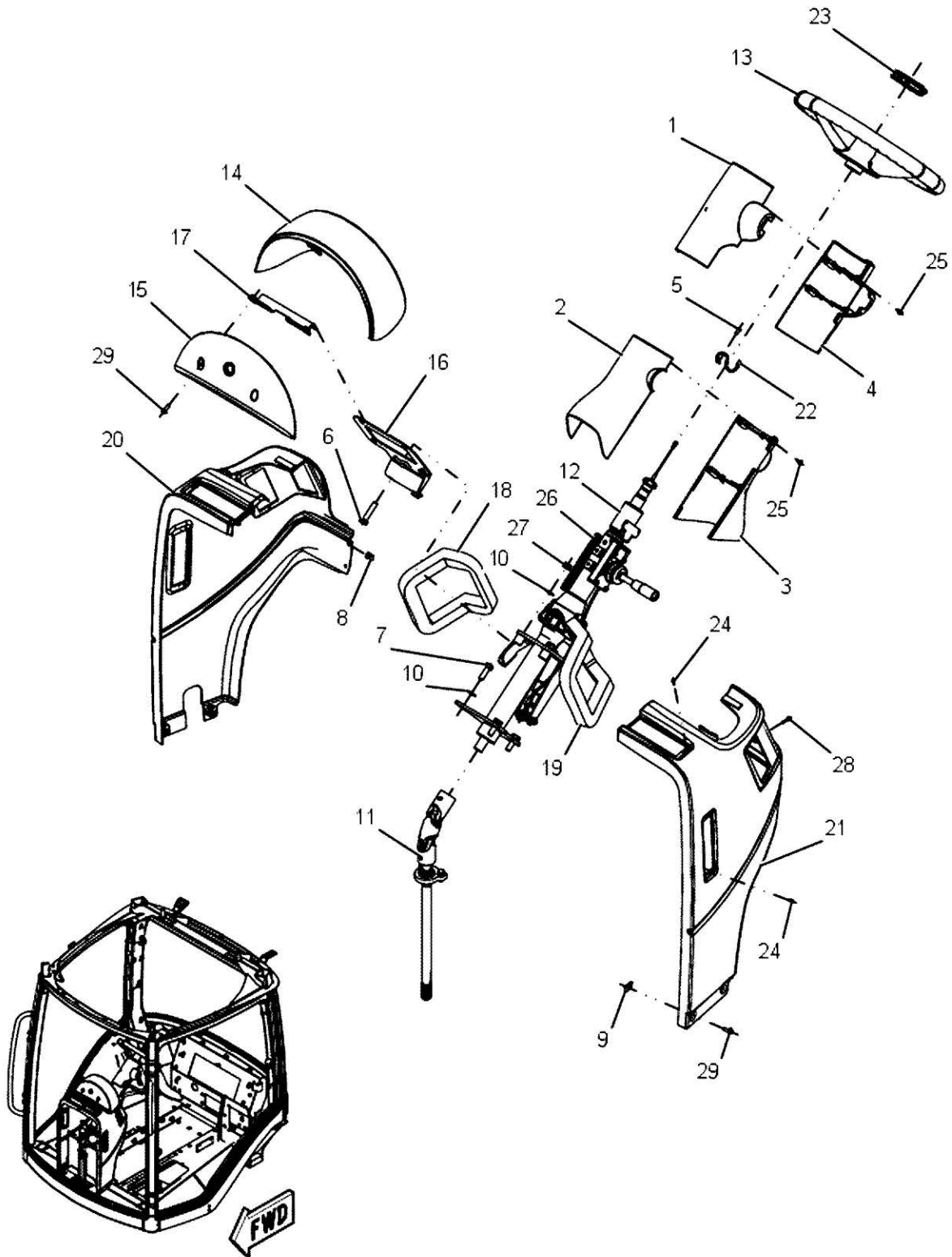


**579803D1 - MONITOR MOUNTING GROUP**

---

ITEM	PART NUMBER	QTY	DESCRIPTION COMMENTS	TECHNICAL SPECIFICATION
1	500854D1	1	ADJUSTMENT LEVER	
2	572575D1	1	PLATE	
3	572578D1	1	GUIDE PLATE	
4	579804D1	1	SUPPORT PIPE	
5	CH5P-8247	1	FLAT WASHER	17MM ID X 32MM OD X 3.5MM

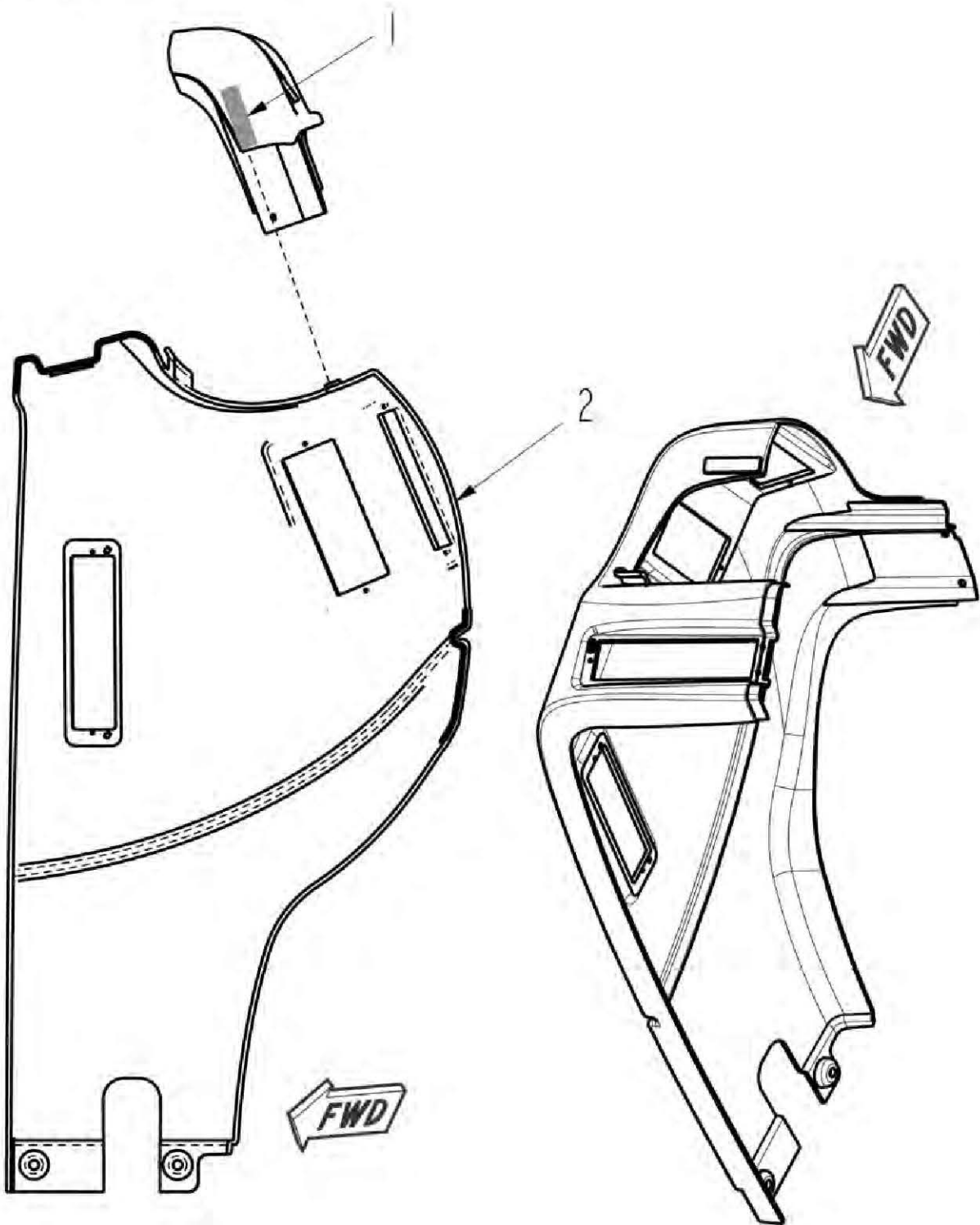
553998D1-5-



**553998D1 - CONSOLE GROUP - FRONT**

ITEM	PART NUMBER	QTY	DESCRIPTION COMMENTS	TECHNICAL SPECIFICATION
	AG512885	-	ADHESIVE SEALANT, BLUE USE AS REQUIRED	BLUE
1	164-7044	1	COVER	
2	166-3754	1	COVER	
3	166-3755	1	COLUMN COVER	
4	166-4555	1	COVER	
5	AG520742	1	MACHINE SCREW	M6 X 1.0 X 10MM, CL10.9
6	400049X1	2	HEXAGONAL HEAD BOLT	M10 X 1.5 X 45MM, CL10.9
7	400058X1	4	HEXAGONAL HEAD BOLT	M10 X 1.5 X 30MM
8	400084X1	1	U-NUT	M4 X 0.7
9	400085X1	4	U-NUT	M6 X 1
10	400287X1	6	FLAT WASHER	11MM X 21MM X 2.5MM
11	500710D1	1	CONTROL	
12	504971D1	1	STEERING COLUMN	
13	507443D1	1	STEERING WHEEL	
14	513554D1	1	COVER	
15	513555D1	1	COVER	
16	589064D1	1	BRACKET	CONSOLE
17	596581D1	1	BRACKET ASSY.	
18	521165D1	1	FOAM SEAL	
19	521166D1	1	FOAM SEAL	
20	574105D1	1	CONSOLE RIGHT HAND CONSOLE	
21	574115D1	1	CONSOLE LEFT HAND CONSOLE	
22	575953D1	1	WIRE HARNESS	
23	584832D1	1	PUSH BUTTON	
24	CH104-2091	6	FLAT HEAD SCREW	#6-20 X 12.7MM
25	CH119-5026	8	PAN HEAD MACHINE SCREW	#10-16 X 16MM
26	CH191-1780	14	CONDUIT	12.7MM ID
27	CH8T-0389	2	HEX LOCKNUT	M10 X 1.5
28	CH9X-1046	2	TORX HEAD BOLT	M4 X 0.7 X 18MM
29	CH9X-2044	6	TORX HEAD SCREW	M6 X 1 X 16MM, T30

574105D1-1-

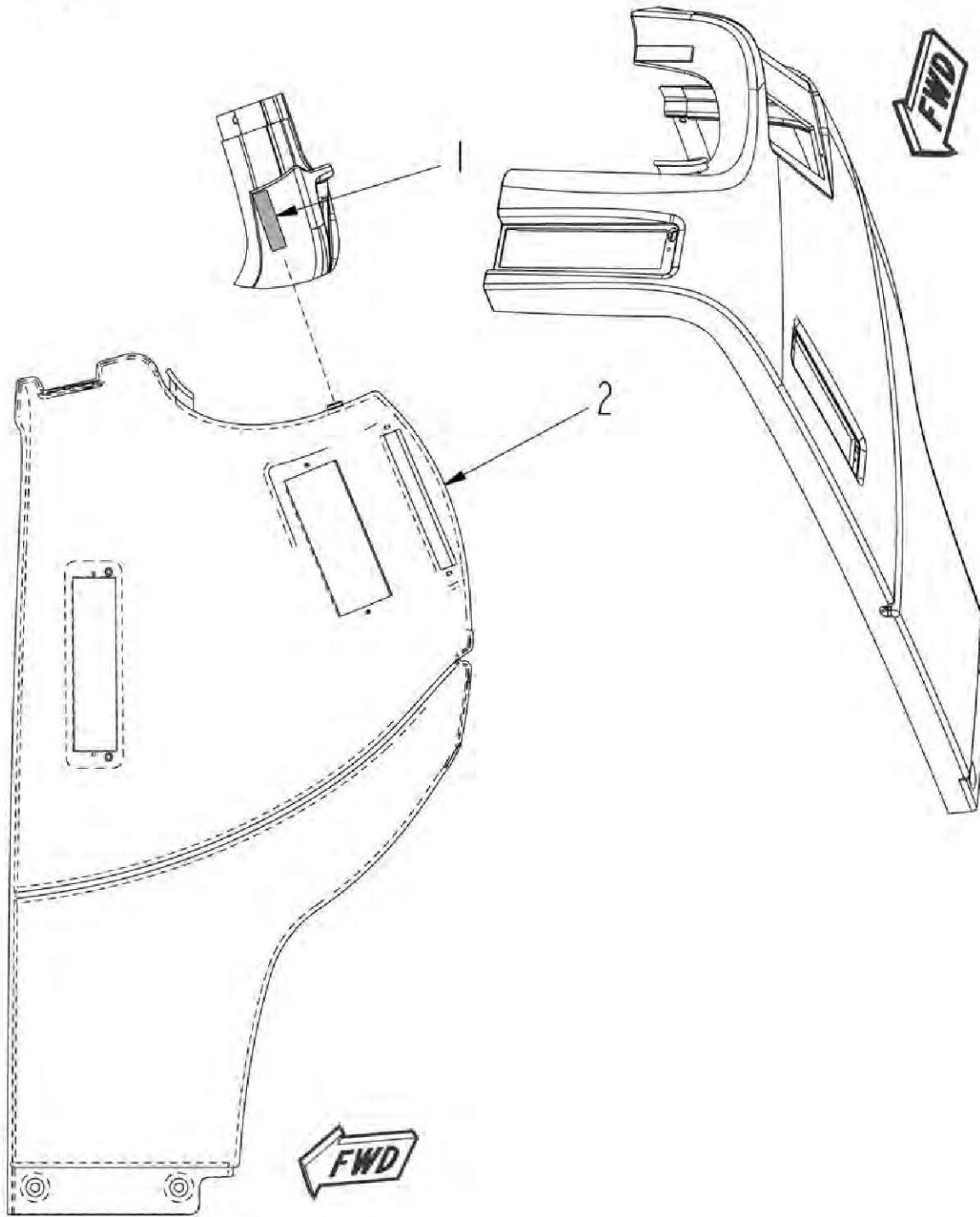


## 574105D1 - CONSOLE ASSEMBLY, RIGHT HAND

---

ITEM	PART NUMBER	QTY	DESCRIPTION COMMENTS	TECHNICAL SPECIFICATION
1	201-9789	1	SEAL	
2	521163D1	1	CONSOLE, RIGHT HAND	

574115D1-1-

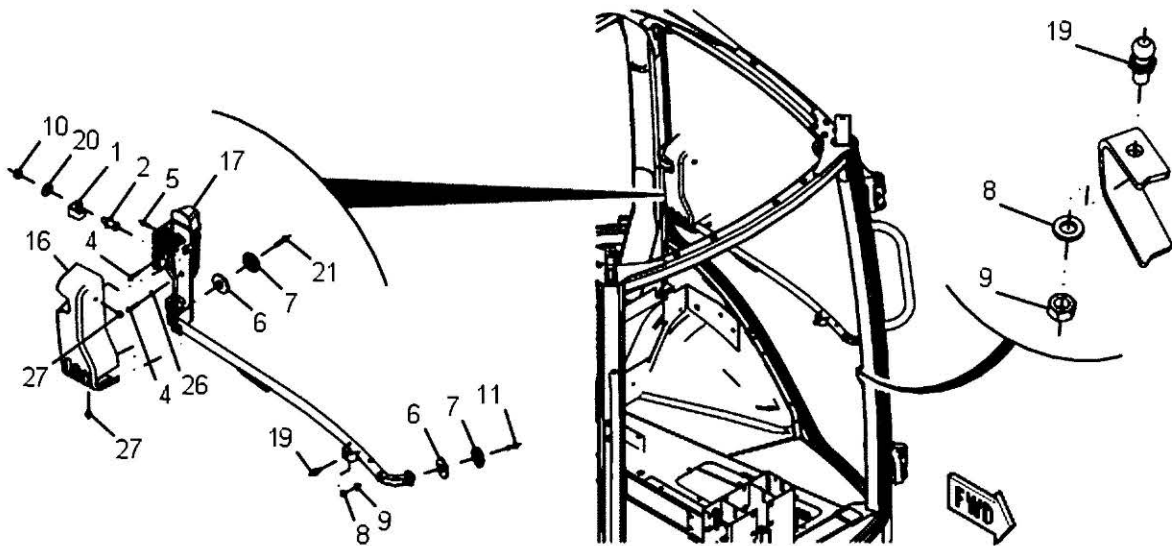
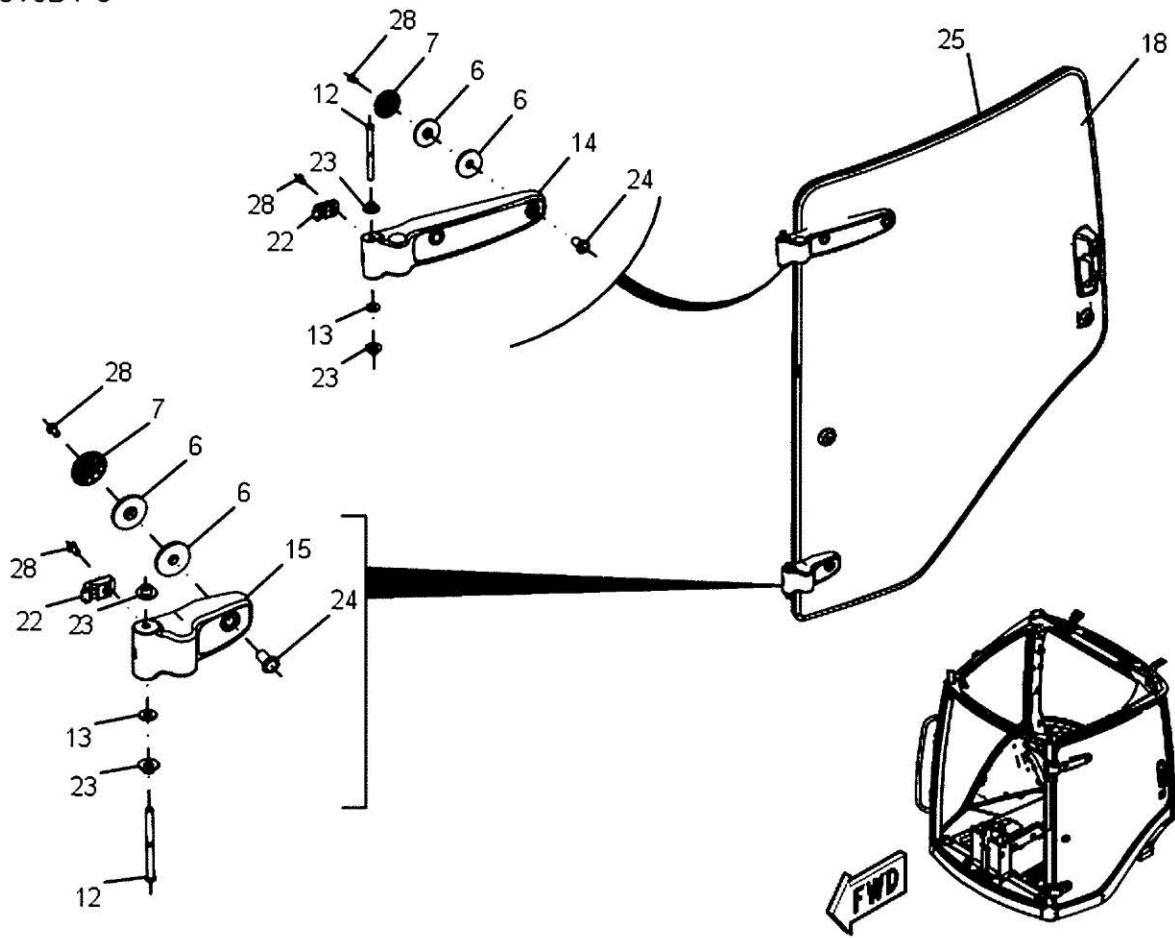


**574115D1 - CONSOLE ASSEMBLY, RIGHT HAND**

---

ITEM	PART NUMBER	QTY	DESCRIPTION COMMENTS	TECHNICAL SPECIFICATION
1	201-9789	1	SEAL	
2	521164D1	1	CONSOLE	

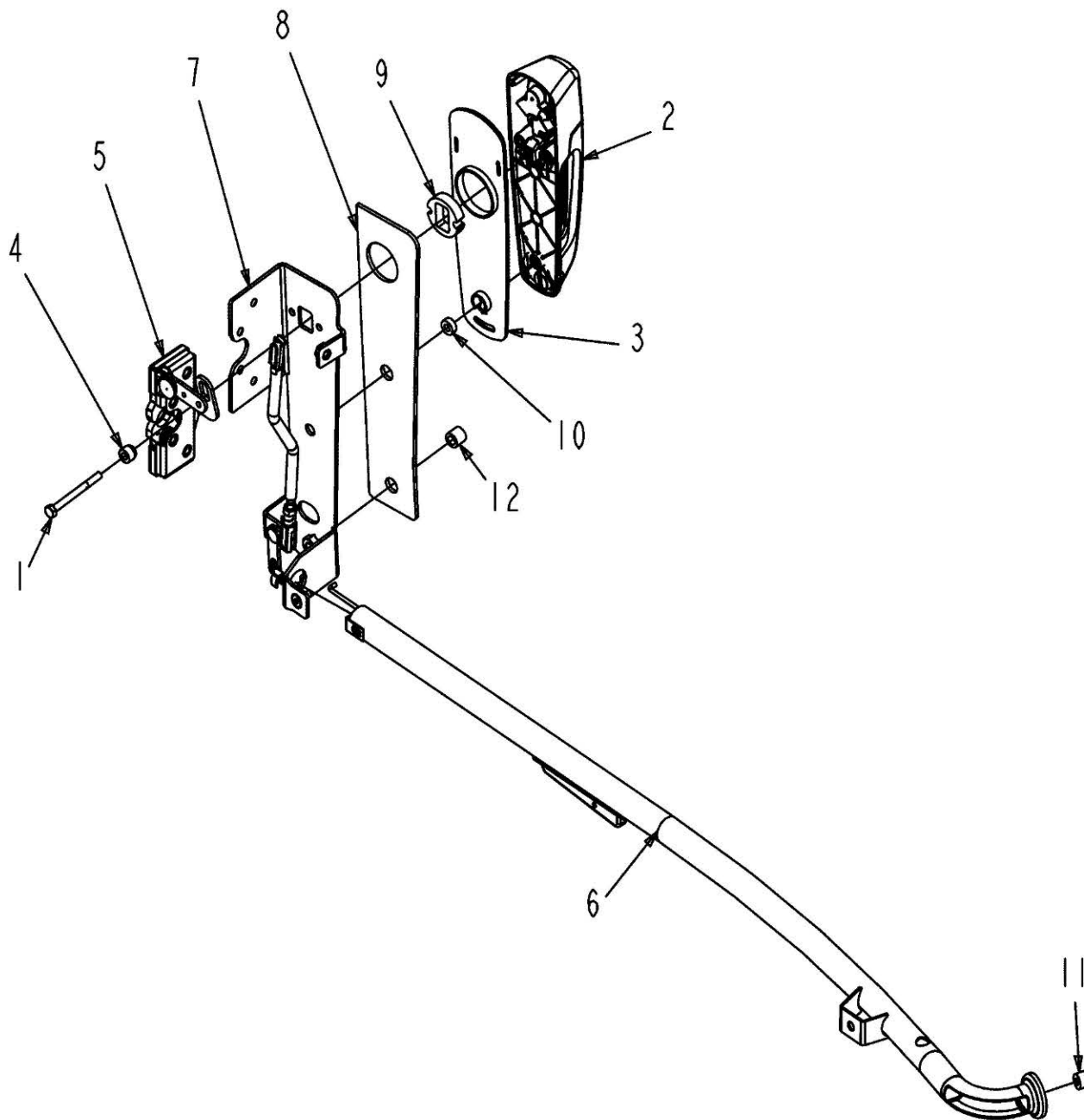
570913D1-5-



**570913D1 - PLATE - FALLING OBJECT PROTECTIVE STRUCTURE, (FOPS)**

ITEM	PART NUMBER	QTY	DESCRIPTION COMMENTS	TECHNICAL SPECIFICATION
1	123-0380	1	STRIKER GUARD	
2	180-6240	1	STRIKER	
	AG512885	X	ADHESIVE SEALANT, BLUE NOT SHOWN	BLUE
4	400065X1	3	HEXAGONAL HEAD BOLT	M6 X 1 X 30MM, CL10.9
5	400256X1	4	HEX SOCKET HEAD FLAT COUNTERSUNK BOLT	M6 X 1 X 20MM
6	400330X1	8	FLAT WASHER	15MM ID
7	400333X1	5	WASHER	
8	400339X1	2	FLAT WASHER	9MM X 16MM X 2MM
9	400340X1	2	HEX NUT	M8 X 1.25MM X 13MM
10	400570X1	1	HEX NUT	1/2"-13, GR8
11	401392X1	1	TORX HEAD SCREW	M6 X 1 X 25MM
12	402047X1	2	HINGE PIN	
13	500624D1	2	NYLON WASHER	M10
14	500875D1	1	HINGE	
15	500876D1	1	HINGE	
16	513552D1	1	DOOR LATCH COVER	
17	NS	1	NON-SERVICEABLE PART SEE PAGE 10-0108	
18	553992D1	1	GLASS	
19	CH090-9554	2	STUD BOLT	
20	CH140-5181	1	FLAT WASHER	13MM ID X 35MMOD X 3.2MM
21	CH142-2304	1	HEX SOCKET BUTTON HEAD BOLT	M8 X 1.25 X 35MM
22	CH164-7070	2	CLAMP	
23	CH166-4574	4	HINGE BUSHING	
24	CH169-6392	3	BOSS	
25	CH208-2404	520	BULK SEAL	1010CM
26	CH8T-4205	1	FLAT WASHER	7.2MM X 14.5MM X 2MM
27	CH9X-2042	2	TORX HEAD SCREW	M6 X 1 X 12MM, T30
28	CH9X-2616	5	HEX SOCKET BUTTON HEAD BOLT	M8 X 1.25 X 16MM, CL12.9

553991D1-2-Z391

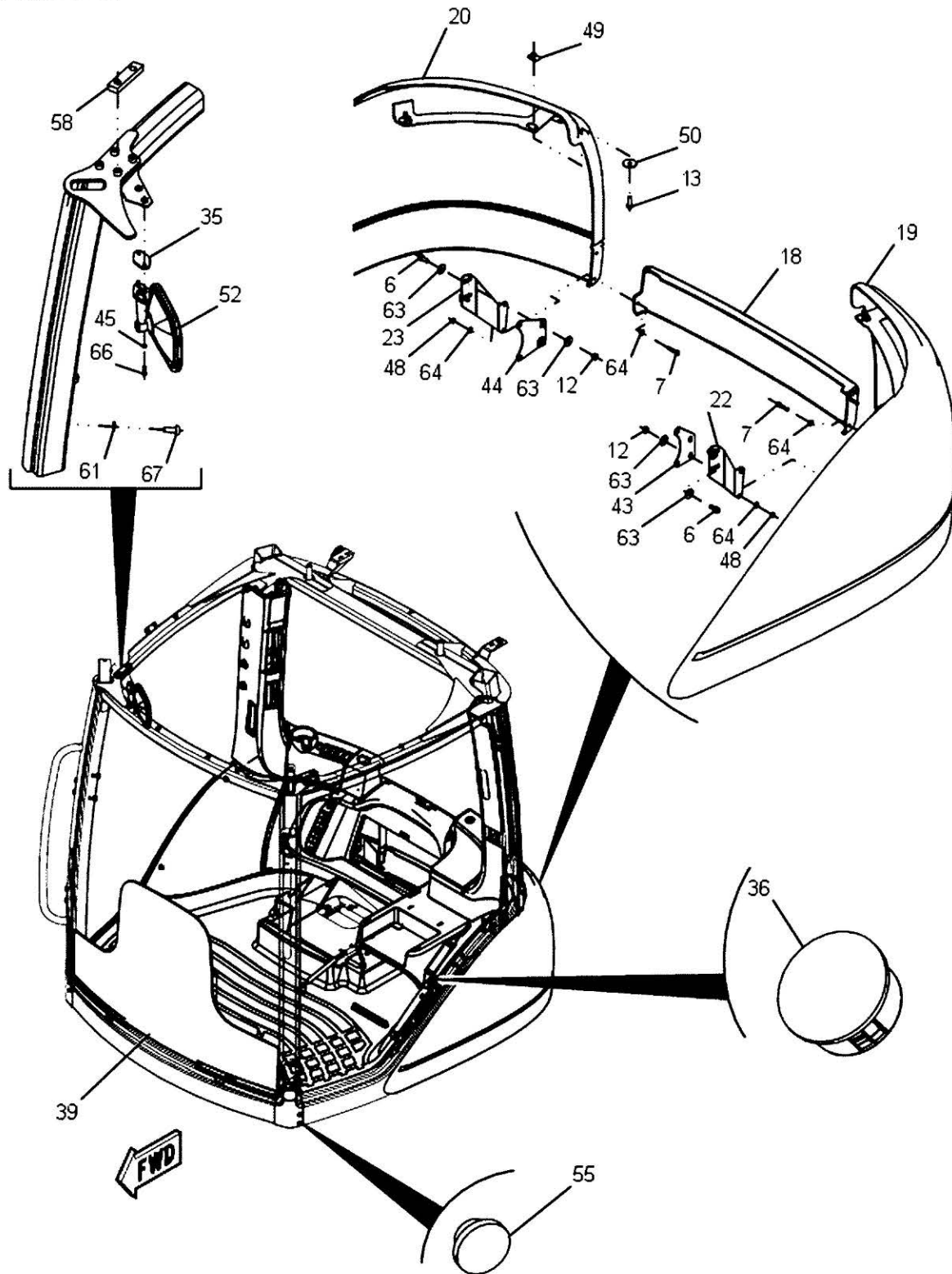


**553991D1 - DOOR LATCH ASSEMBLY**

---

ITEM	PART NUMBER	QTY	DESCRIPTION COMMENTS	TECHNICAL SPECIFICATION
1	401186X1	1	HEXAGONAL HEAD BOLT	M6 X 1 X 65MM, CL10.9
2	4295603M1	1	GRIP	
3	4295604M1	1	GASKET	
4	503222D1	1	SPACER	
5	509297D1	1	DOOR LATCH	
6	509299D1	1	DOOR HANDLE	
7	509309D1	1	MOUNTING	
8	509319D1	1	GASKET	
9	509320D1	1	SPACER	
10	509321D1	1	SPACER	
11	509324D1	1	SPACER	
12	509325D1	1	SPACER	

575829D1-3-01



**575829D1 - TRIM GROUP**

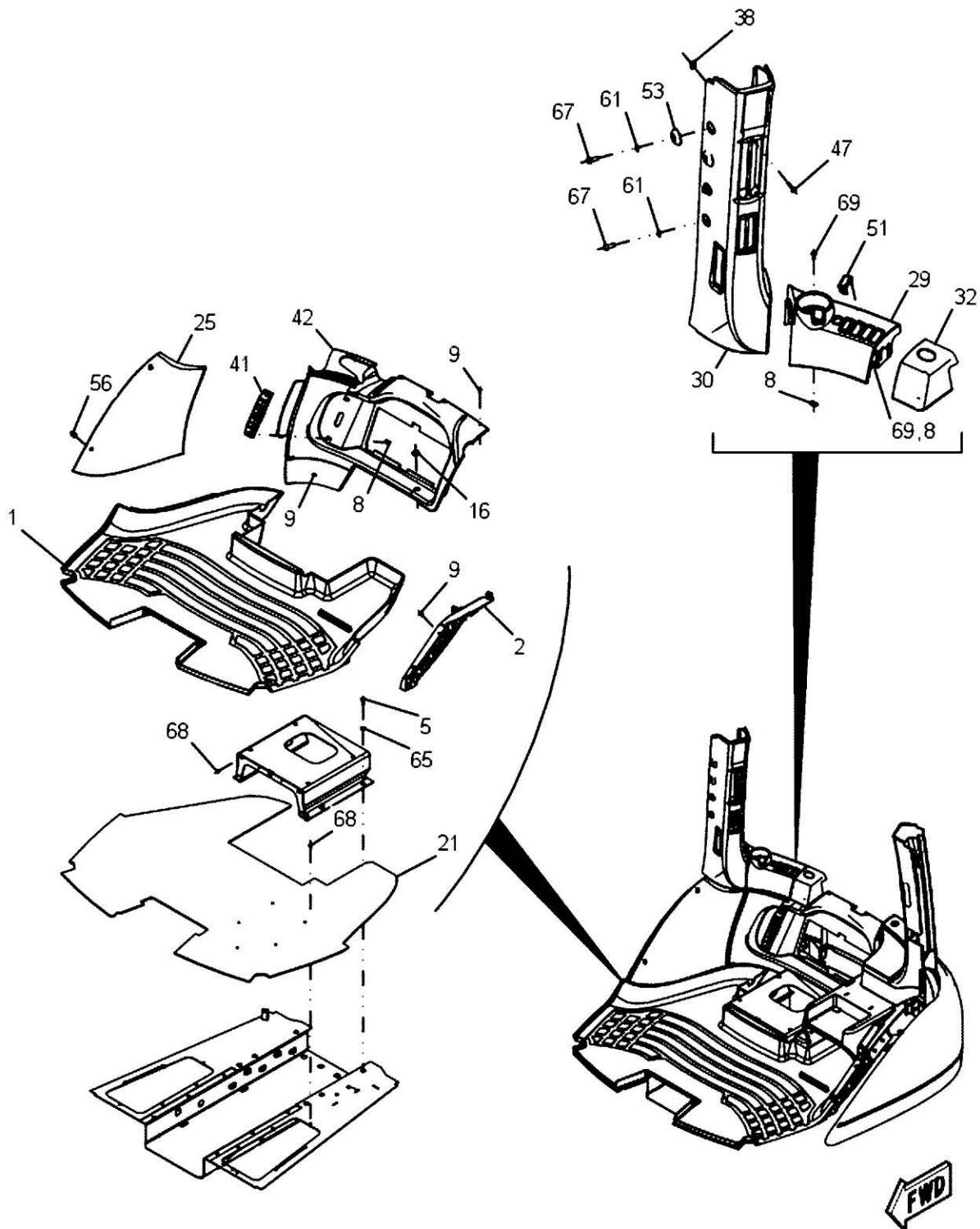
ITEM	PART NUMBER	QTY	DESCRIPTION COMMENTS	TECHNICAL SPECIFICATION
6	400053X1	1	HEXAGONAL HEAD BOLT	M8 X 1.25 X 20MM, CL10.9
7	400065X1	3	HEXAGONAL HEAD BOLT	M6 X 1 X 30MM, CL10.9
12	400340X1	4	HEX NUT	M8 X 1.25MM X 13MM
13	400341X1	10	HEXAGONAL HEAD BOLT	M8 X 1.25 X 25MM
18	501247D1	1	PANEL	
19	501248D1	1	PANEL	
20	501249D1	1	PANEL	
22	508566D1	1	PLATE	
23	508685D1	1	PLATE	
35	515198D1	1	PLATE	
36	519120D1	1	PLUG	
39	531998D1	1	MAT	FRONT
43	575135D1	1	MOUNTING BRACKET, LEFT HAND	
44	575164D1	1	MOUNTING BRACKET, RIGHT HAND	
45	CH096-6166	2	WASHER	1.5 ID X 9.0 OD X 1MM
48	CH129-3178	5	HEX LOCKNUT	M6 X 1MM
49	CH154-9989	12	U-NUT	
50	CH156-0283	10	WASHER	8.4MM ID X 35MM OD X 2.5 MM
52	CH169-6352	1	MIRROR ASSEMBLY	
55	CH193-5914	4	PROTECTIVE PLUG	M10, PLASTIC
58	CH217-2132	2	SEAL	
61	CH6V-5839	6	FLAT WASHER	11MM ID X 21MM OD X 2.5MM
63	CH8C-0572	8	FLAT WASHER	8.8MM ID X 25.5MM OD X 2 MM
64	CH8T-4205	6	FLAT WASHER	7.2MM X 14.5MM X 2MM
66	CH9X-1046	2	TORX HEAD BOLT	M4 X 0.7 X 18MM
67	CH9X-2040	6	PAN HEAD MACHINE SCREW	M10 X 1.5 X 25MM



**575829D1 - TRIM GROUP**

ITEM	PART NUMBER	QTY	DESCRIPTION COMMENTS	TECHNICAL SPECIFICATION
3	184-1704	1	HOLDER	
4	190-8326	1	HOLDER	
6	400053X1	8	HEXAGONAL HEAD BOLT	M8 X 1.25 X 20MM, CL10.9
	400065X1	3	HEXAGONAL HEAD BOLT NOT SHOWN	M6 X 1 X 30MM, CL10.9
8	400085X1	9	U-NUT	M6 X 1
9	400110X1	12	PUSH ON FASTENER	8MM X 20MM LONG
10	400221X1	1	HEXAGONAL HEAD BOLT	M6 X 1 X 20MM, CL10.9
11	400310X1	2	FLAT WASHER	6.6MM ID X 12MM OD X 2MM
14	400599X1	4	FLAT WASHER	M8 X 20.5MM OD X 2MM THK
15	402294X1	2	CABLE TIE	390MM X 7.6MM
17	501026D1	1	GAS SPRING	
	090-9554	2	STUD BOLT	
	090-9555	2	CLIP	
	400340X1	2	HEX NUT	M8 X 1.25MM X 13MM
24	390735X1	1	FLAT WASHER	M12 ZN
26	513520D1	1	STORAGE COMPARTMENT	
27	513525D1	2	RETAINER	
28	513526D1	1	LID	
31	513543D1	1	SUPPORT	
33	513547D2	1	RETAINER	
34	513556D1	1	COVER	
37	522760D1	1	PLUG	
40	536250D1	2	RETAINING CLIP	
46	CH111-4627	1	TRUSS HEAD SCREW	M6 X 1 X 30MM
48	CH129-3178	5	HEX LOCKNUT	M6 X 1MM
49	CH154-9989	12	U-NUT	
54	CH179-2959	1	MAGNET	
57	CH208-5521	1	HOSE	41.28MM ID X 192MM
59	CH3E-8020	2	TORX HEAD SCREW	M6 X1 X 25MM, T30
60	CH5V-1496	9	PUSHNUT FASTENER	6.4MM STUD
62	CH6V-8928	1	COAT HOOK	
69	CH9X-2045	5	TORX HEAD SCREW	M6 X 1 X 20MM, T30
70	CH9X-2092	14.00	BULK TRIM	BLACK

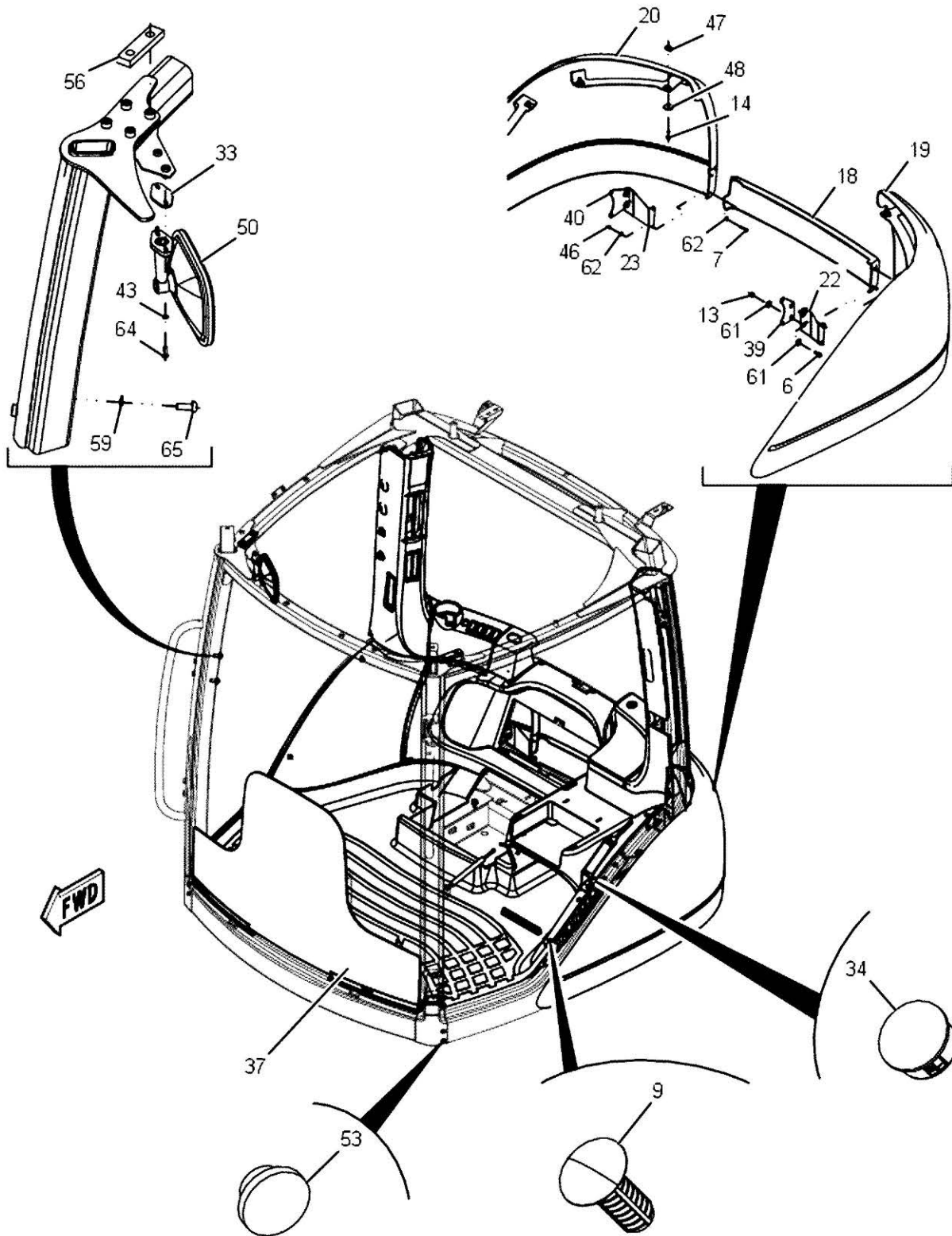
575829D1-3-03



**575829D1 - TRIM GROUP**

ITEM	PART NUMBER	QTY	DESCRIPTION COMMENTS	TECHNICAL SPECIFICATION
1	152-0431	1	MAT	
2	162-6752	1	COVER, LEFT HAND	
5	400039X1	6	HEXAGONAL HEAD BOLT	M10 X 1.5 X 25MM, CL10.9
8	400085X1	9	U-NUT	M6 X 1
9	400110X1	12	PUSH ON FASTENER	8MM X 20MM LONG
16	402975X1	1	RUBBER GROMMET	15.91 ID
21	502653D1	1	INSULATION	
25	513515D1	1	COVER	
29	513537D1	1	COVER	
30	582376D1	1	B-PILLER COVER, RIGHT HAND	
32	513546D1	1	WIRE COVER	
38	527585D1	1	U-NUT	M6 X 1
41	538276D1	1	ELECTRICAL OUTLET	12V DC, 30A
42	553963D1	1	CONSOLE	AS-CENTER
47	CH121-9870	1	SCREW	M6 X 1 X 40MM
51	CH165-5975	2	SWITCH COVER PLUG	
53	CH174-5789	2	PLUG	
56	CH197-5854	2	LATCH	
61	CH6V-5839	6	FLAT WASHER	11MM ID X 21MM OD X 2.5MM
65	CH8T-7934	6	FLAT WASHER	11MM ID X 21MM OD X 5MM
67	CH9X-2040	6	PAN HEAD MACHINE SCREW	M10 X 1.5 X 25MM
68	CH9X-2042	21	TORX HEAD SCREW	M6 X 1 X 12MM, T30
69	CH9X-2045	5	TORX HEAD SCREW	M6 X 1 X 20MM, T30

576564D1-4-01

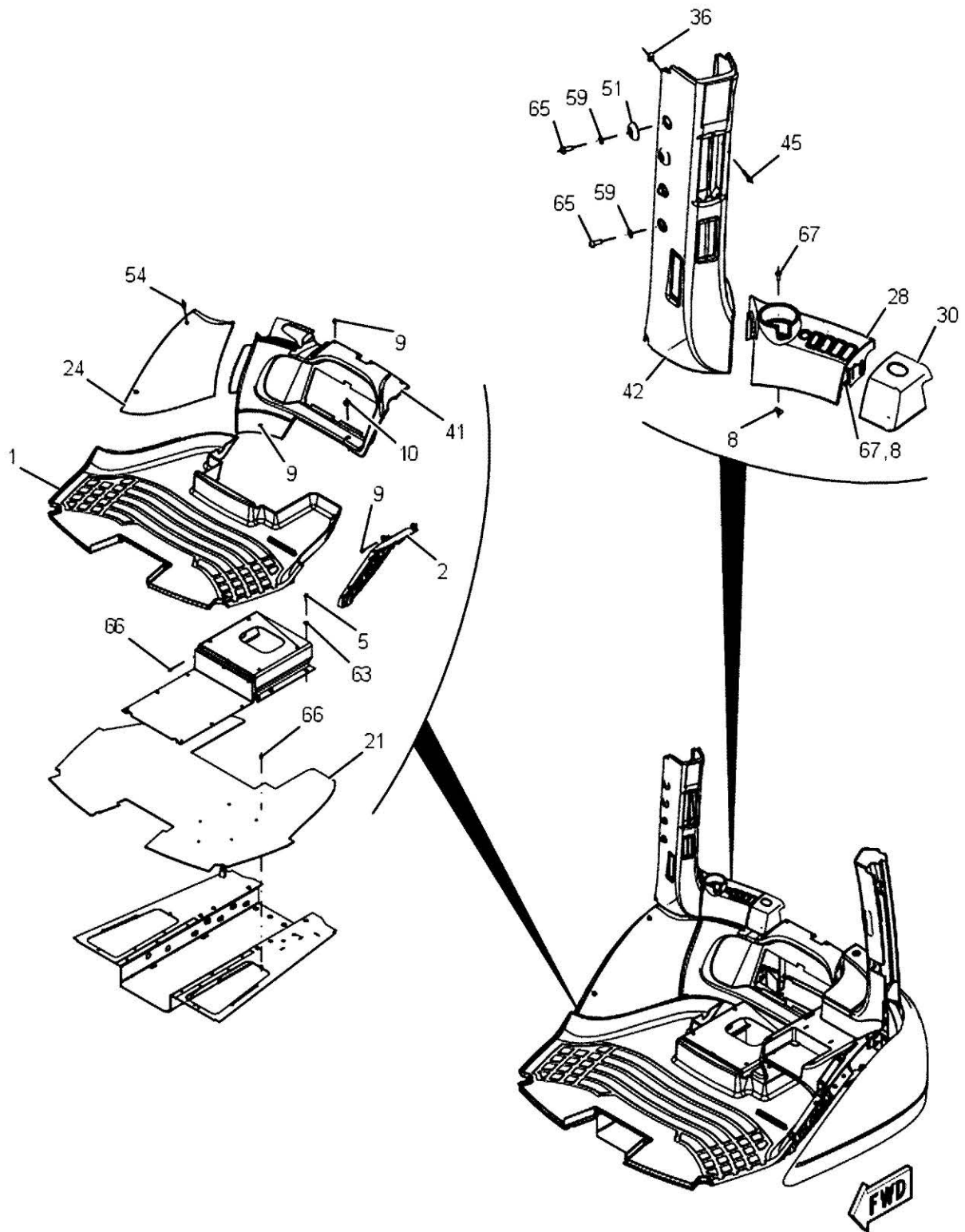


ITEM	PART NUMBER	QTY	DESCRIPTION COMMENTS	TECHNICAL SPECIFICATION
6	400053X1	8	HEXAGONAL HEAD BOLT	M8 X 1.25 X 20MM, CL10.9
7	400065X1	3	HEXAGONAL HEAD BOLT	M6 X 1 X 30MM, CL10.9
9	400110X1	12	PUSH ON FASTENER	8MM X 20MM LONG
13	400340X1	4	HEX NUT	M8 X 1.25MM X 13MM
14	400341X1	10	HEXAGONAL HEAD BOLT	M8 X 1.25 X 25MM
18	501247D1	1	PANEL	
19	501248D1	1	PANEL	
20	501249D1	1	PANEL	
22	508566D1	1	PLATE	
23	508685D1	1	PLATE	
33	515198D1	1	PLATE	
34	519120D1	1	PLUG	
37	531998D1	1	MAT	FRONT
39	575135D1	1	MOUNTING BRACKET, LEFT HAND	
40	575164D1	1	MOUNTING BRACKET, RIGHT HAND	
43	CH096-6166	2	WASHER	1.5 ID X 9.0 OD X 1MM
46	CH129-3178	5	HEX LOCKNUT	M6 X 1MM
47	CH154-9989	12	U-NUT	
48	CH156-0283	10	WASHER	8.4MM ID X 35MM OD X 2.5 MM
50	CH169-6352	1	MIRROR ASSEMBLY	
53	CH193-5914	4	PROTECTIVE PLUG	M10, PLASTIC
56	CH217-2132	2	SEAL	
59	CH6V-5839	6	FLAT WASHER	11MM ID X 21MM OD X 2.5MM
61	CH8C-0572	8	FLAT WASHER	8.8MM ID X 25.5MM OD X 2 MM
62	CH8T-4205	6	FLAT WASHER	7.2MM X 14.5MM X 2MM
64	CH9X-1046	2	TORX HEAD BOLT	M4 X 0.7 X 18MM
65	CH9X-2040	6	PAN HEAD MACHINE SCREW	M10 X 1.5 X 25MM



ITEM	PART NUMBER	QTY	DESCRIPTION COMMENTS	TECHNICAL SPECIFICATION
3	184-1704	1	HOLDER	
4	190-8326	1	HOLDER	
6	400053X1	8	HEXAGONAL HEAD BOLT	M8 X 1.25 X 20MM, CL10.9
8	400085X1	7	U-NUT	M6 X 1
9	400110X1	12	PUSH ON FASTENER	8MM X 20MM LONG
11	400221X1	1	HEXAGONAL HEAD BOLT	M6 X 1 X 20MM, CL10.9
12	400310X1	2	FLAT WASHER	6.6MM ID X 12MM OD X 2MM
15	400599X1	4	FLAT WASHER	M8 X 20.5MM OD X 2MM THK
16	402294X1	2	CABLE TIE	390MM X 7.6MM
17	501026D1	1	GAS SPRING	
	090-9554	2	STUD BOLT	
	090-9555	2	CLIP	
	400340X1	2	HEX NUT	M8 X 1.25MM X 13MM
25	513520D1	1	STORAGE COMPARTMENT	
26	513525D1	2	RETAINER	
27	513526D1	1	LID	
29	513543D1	1	SUPPORT	
31	513547D2	1	RETAINER	
32	513556D1	1	COVER	
35	522760D1	1	PLUG	
38	536250D1	2	RETAINING CLIP	
44	CH111-4627	1	TRUSS HEAD SCREW	M6 X 1 X 30MM
46	CH129-3178	5	HEX LOCKNUT	M6 X 1MM
47	CH154-9989	12	U-NUT	
52	CH179-2959	1	MAGNET	
55	CH208-5521	1	HOSE	41.28MM ID X 192MM
57	CH3E-8020	2	TORX HEAD SCREW	M6 X1 X 25MM, T30
58	CH5V-1496	9	PUSHNUT FASTENER	6.4MM STUD
60	CH6V-8928	1	COAT HOOK	
67	CH9X-2045	5	TORX HEAD SCREW	M6 X 1 X 20MM, T30
68	CH9X-2092	140mm	BULK TRIM	BLACK

576564D1-4-03



ITEM	PART NUMBER	QTY	DESCRIPTION COMMENTS	TECHNICAL SPECIFICATION
1	152-0431	1	MAT	
2	162-6752	1	COVER, LEFT HAND	
5	400039X1	6	HEXAGONAL HEAD BOLT	M10 X 1.5 X 25MM, CL10.9
8	400085X1	7	U-NUT	M6 X 1
9	400110X1	12	PUSH ON FASTENER	8MM X 20MM LONG
10	402975X1	1	RUBBER GROMMET	15.91 ID
21	502653D1	1	INSULATION	
24	513515D1	1	COVER	
28	513537D1	1	COVER	
30	513546D1	1	WIRE COVER	
36	527585D1	1	U-NUT	M6 X 1
41	576565D1	1	CONSOLE	CENTER ASM
42	582376D1	1	B-PILLER COVER, RIGHT HAND	
45	CH121-9870	1	SCREW	M6 X 1 X 40MM
51	CH174-5789	2	PLUG	
54	CH197-5854	2	LATCH	
59	CH6V-5839	6	FLAT WASHER	11MM ID X 21MM OD X 2.5MM
63	CH8T-7934	6	FLAT WASHER	11MM ID X 21MM OD X 5MM
65	CH9X-2040	6	PAN HEAD MACHINE SCREW	M10 X 1.5 X 25MM
66	CH9X-2042	21	TORX HEAD SCREW	M6 X 1 X 12MM, T30
67	CH9X-2045	5	TORX HEAD SCREW	M6 X 1 X 20MM, T30